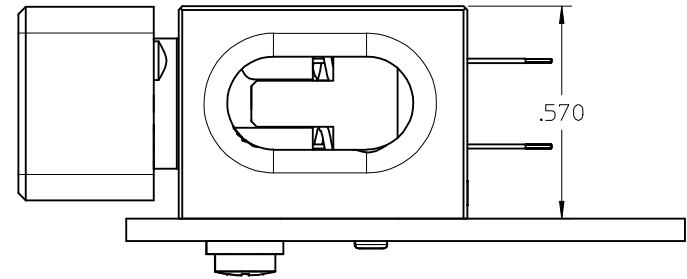
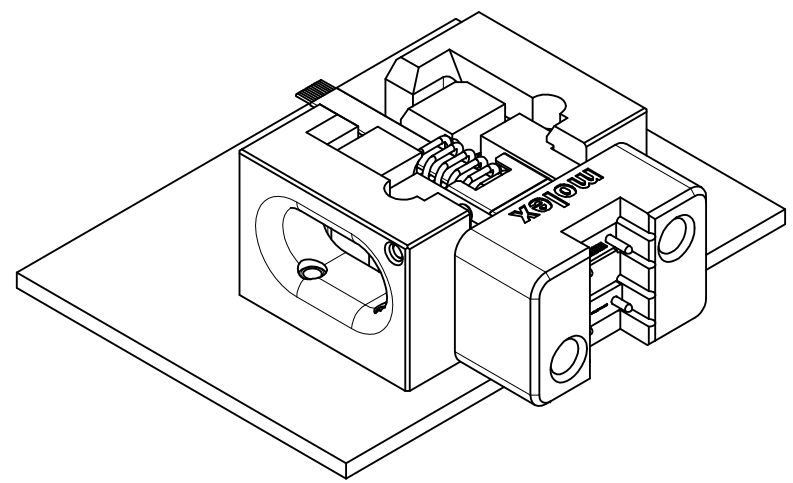
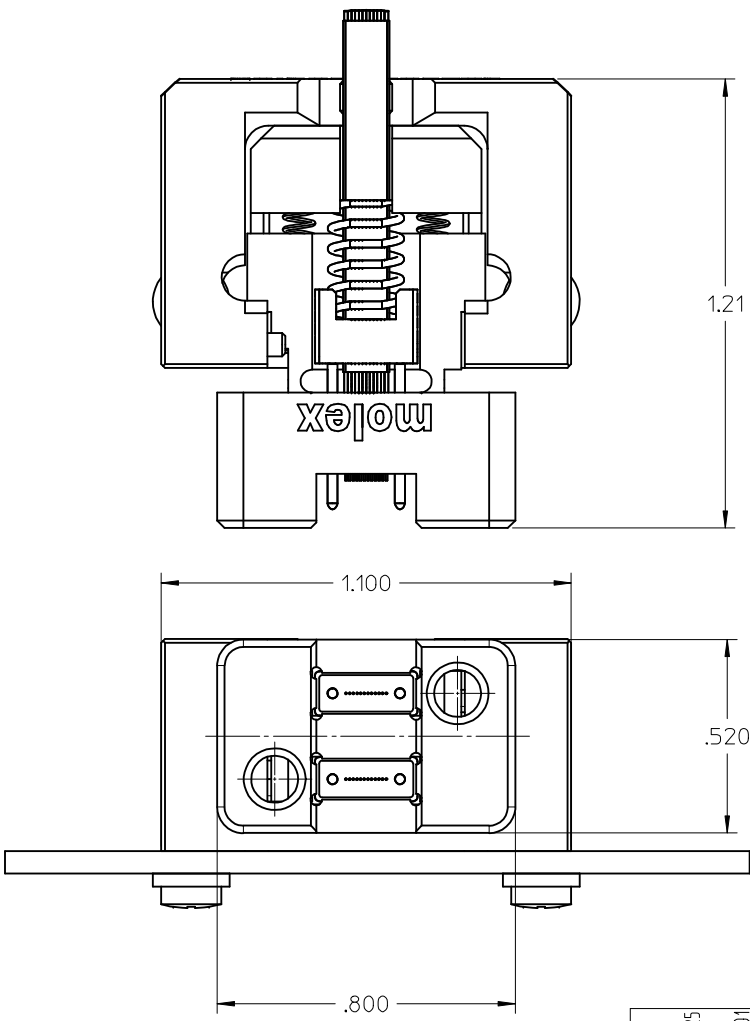


10 9 8 7 6 5 4 3 2 1



NOTES:  
1. ALL DIMENSIONS ARE FOR REFERENCE ONLY.

<b>ENTER DESCRIPTION</b> EC NO: MF2014-0415 DRAWN: MWALDRON 2013/10/25 CHKD: MWALDRON APPR: WCHEN 2015/04/01 <b>A2</b>	QUALITY SYMBOLS $\nabla F=0$ $\nabla F=0$ $\nabla F=0$	GENERAL TOLERANCES (UNLESS SPECIFIED) mm INCH 4 PLACES ± --- ± --- 3 PLACES ± --- ± --- 2 PLACES ± --- ± --- 1 PLACE ± --- ± --- 0 PLACE ± --- ± ---	DIMENSION STYLE <b>INCH ONLY</b> DRAWN BY DATE SMIGO 2012/09/14 CHECKED BY DATE MWALDRON 2012/09/14 APPROVED BY DATE WCHEN 2013/01/23	SCALE <b>3:1</b> TITLE <b>VITA66.1 DAUGHTER CARD ASSEMBLY</b>	DESIGN UNITS <b>INCH</b> THIRD ANGLE PROJECTION	MATERIAL NO. <b>1066011150</b>	DOCUMENT NO. <b>SD-106601-1150</b>	SHEET NO. <b>1 OF 1</b>
	ANGULAR ±1/2° DRAFT WHERE APPLICABLE MUST REMAIN WITHIN DIMENSIONS		THIS DRAWING CONTAINS INFORMATION THAT IS PROPRIETARY TO MOLEX INCORPORATED AND SHOULD NOT BE USED WITHOUT WRITTEN PERMISSION					
	mmo B		THIS DRAWING CONTAINS INFORMATION THAT IS PROPRIETARY TO MOLEX INCORPORATED AND SHOULD NOT BE USED WITHOUT WRITTEN PERMISSION					
	A2		THIS DRAWING CONTAINS INFORMATION THAT IS PROPRIETARY TO MOLEX INCORPORATED AND SHOULD NOT BE USED WITHOUT WRITTEN PERMISSION					
	A2		THIS DRAWING CONTAINS INFORMATION THAT IS PROPRIETARY TO MOLEX INCORPORATED AND SHOULD NOT BE USED WITHOUT WRITTEN PERMISSION					

9 8 7 6 5 4 3 2 1