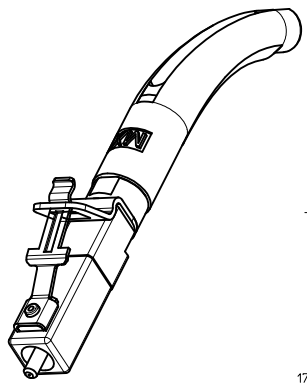
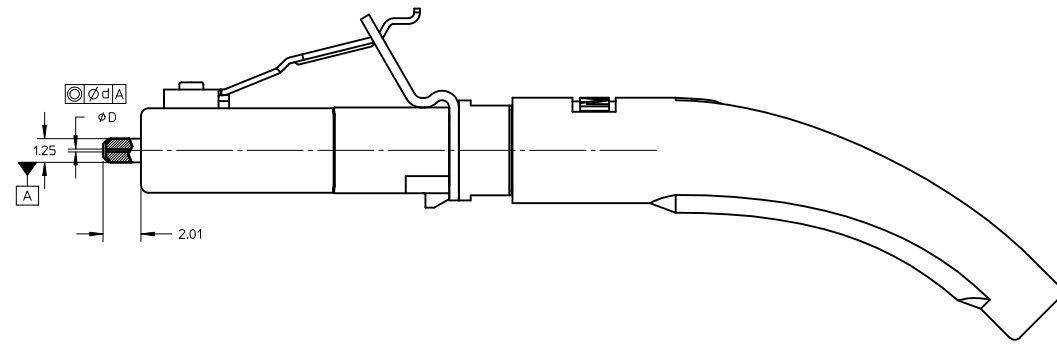
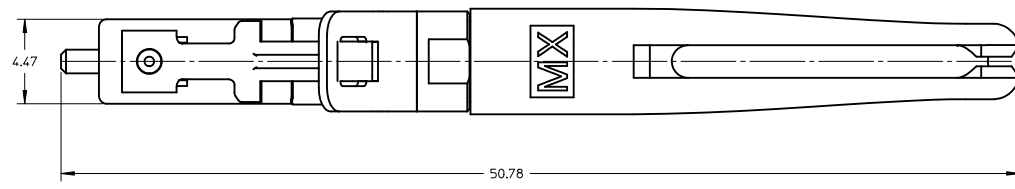
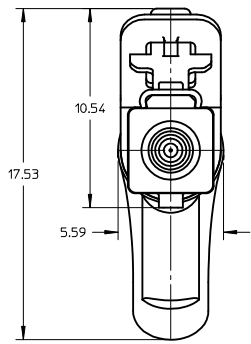


CONNECTOR P/N	∅D (µm)	∅d (µm)	BOOT COLOR	CABLE TYPE	CABLE DESCRIPTION AND ∅ (mm)
106397-1977	125.0 ^{-0.5} ₀	0.5	BLUE	SM	SIMPLEX 1.6
106397-1352					SIMPLEX 2.0
106397-1979	126.0 ^{+1.0} ₀	1.0			SIMPLEX 1.6
106397-1354					SIMPLEX 2.0
106397-2177	127.0 ^{-3.0} ₀	3.0	WHITE	MM	SIMPLEX 1.6
106397-1552					SIMPLEX 2.0
106397-2179	142.0 ^{+3.0} ₀				SIMPLEX 1.6
106397-1554					SIMPLEX 2.0
106397-2181	172.0 ^{+3.0} ₀				SIMPLEX 1.6
106397-1567					SIMPLEX 2.0



ISOMETRIC VIEW
SCALE 2:1



NOTES:

- ALL DIMENSIONS ARE FOR REFERENCE ONLY.
- DUST CAP IS NOT SHOWN.

ENTER DESCRIPTION EC NO: MF2010-0477 DRWN:LSADAUSKIENE 2010/04/29 CHKD:SERNST 2010/05/25 APPR:WCHEN 2010/05/27	QUALITY SYMBOLS ▼=0 ▽=0	GENERAL TOLERANCES (UNLESS SPECIFIED)		DIMENSION STYLE MM ONLY	SCALE 5:1	DESIGN UNITS METRIC	THIRD ANGLE PROJECTION	
		4 PLACES ± --- INCH	3 PLACES ± --- INCH	DRAWN BY LSADAUSKIENE	DATE 2010/04/29	TITLE LC2 PLUS CONNECTOR 45D 1.6MM & 2.0MM BOOT		
		2 PLACES ± --- INCH	1 PLACE ± --- INCH	CHECKED BY SERNST	DATE 2010/05/25	MOLEX INCORPORATED		
		ANGULAR ±1/2°		APPROVED BY WCHEN	DATE 2010/05/27	MATERIAL NO. SEE TABLE	DOCUMENT NO. SD-106397-1977	SHEET NO. 1 OF 1
DRAFT WHERE APPLICABLE MUST REMAIN WITHIN DIMENSIONS		SIZE C	THIS DRAWING CONTAINS INFORMATION THAT IS PROPRIETARY TO MOLEX INCORPORATED AND SHOULD NOT BE USED WITHOUT WRITTEN PERMISSION					