

THIS DRAWING IS UNPUBLISHED.

RELEASED FOR PUBLICATION

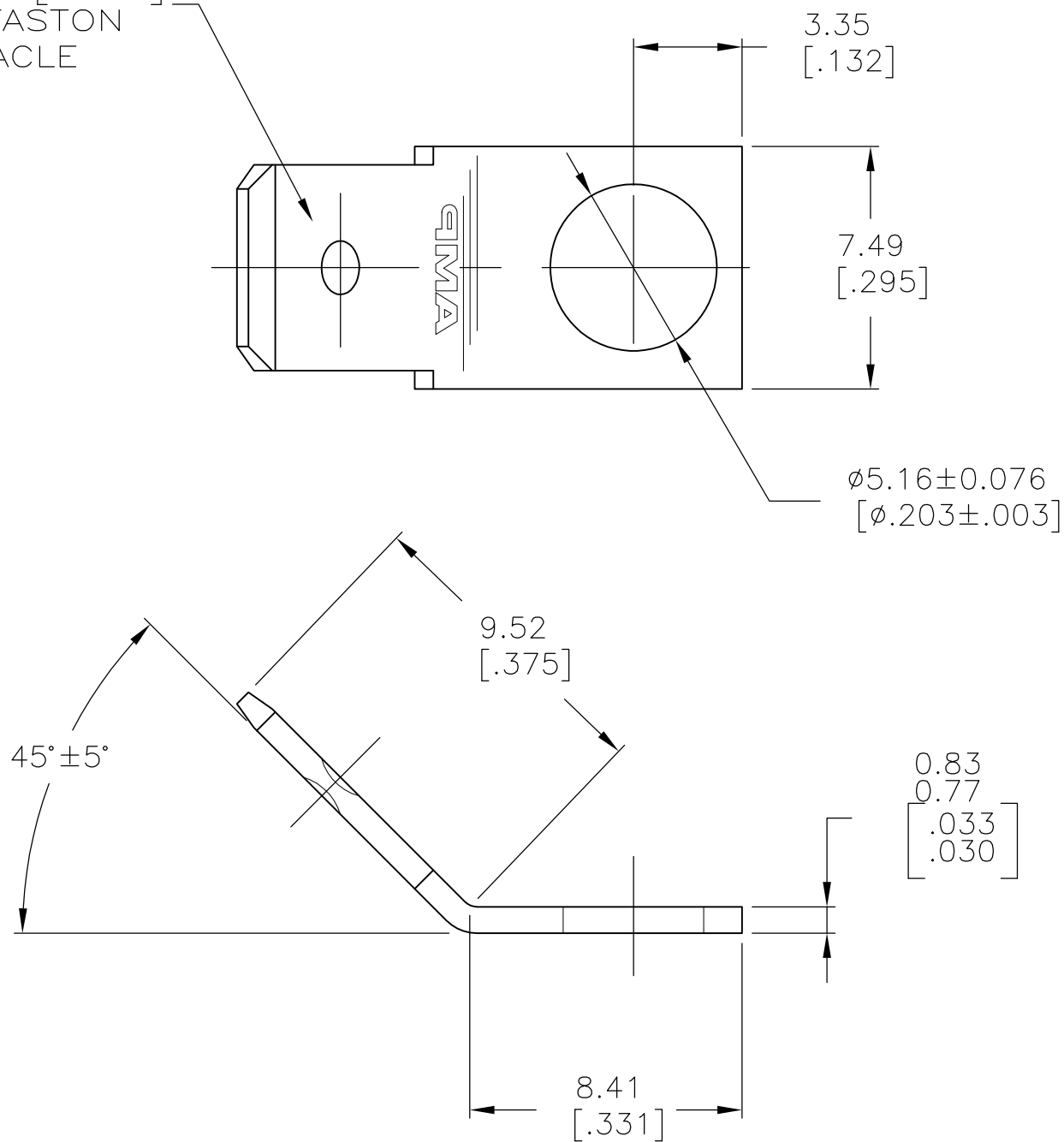
© COPYRIGHT - TE Connectivity

ALL RIGHTS RESERVED.

REVISIONS

P	LTR	DESCRIPTION	DATE	DWN	APVD
	D1	REVISED PER ECR-17-010001	14JUL2017	BW	DH


FITS 6.35 [.250] SERIES FASTON RECEPTACLE



1 SUPPLIED IN LOOSE PIECE.

2 PRE-PRODUCTION - F.A.S.R. REQUIRED

1217252-1
PART NO.

THIS DRAWING IS A CONTROLLED DOCUMENT.		DWN JR RUTH 260CT99	 TE Connectivity														
DIMENSIONS: mm [INCHES]		CHK MS FEHER 260CT99															
TOLERANCES UNLESS OTHERWISE SPECIFIED:		APVD P DESANT 260CT99	NAME TAB, FASTON,™ 6.35 [.250] SERIES														
<table border="0"> <tr><td>0 PLC</td><td>± -</td></tr> <tr><td>1 PLC</td><td>± -</td></tr> <tr><td>2 PLC</td><td>± 0.25 [.010]</td></tr> <tr><td>3 PLC</td><td>± -</td></tr> <tr><td>4 PLC</td><td>± -</td></tr> <tr><td>ANGLES</td><td>± -</td></tr> </table>		0 PLC	± -	1 PLC	± -	2 PLC	± 0.25 [.010]	3 PLC	± -	4 PLC	± -	ANGLES	± -	PRODUCT SPEC -	RESTRICTED TO -		
0 PLC	± -																
1 PLC	± -																
2 PLC	± 0.25 [.010]																
3 PLC	± -																
4 PLC	± -																
ANGLES	± -																
MATERIAL 082 BRASS		FINISH TIN	APPLICATION SPEC -	SIZE A3	CAGE CODE 00779	DRAWING NO C-1217252											
CUSTOMER DRAWING			WEIGHT	SCALE 5:1	SHEET 1 OF 1	REV D1											