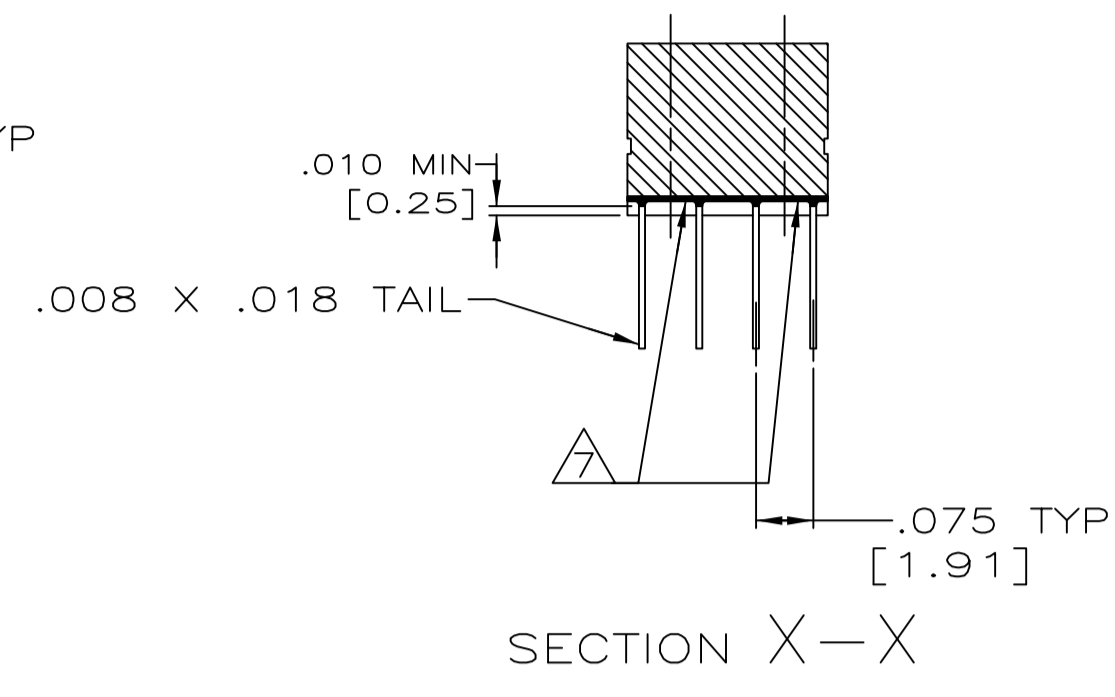
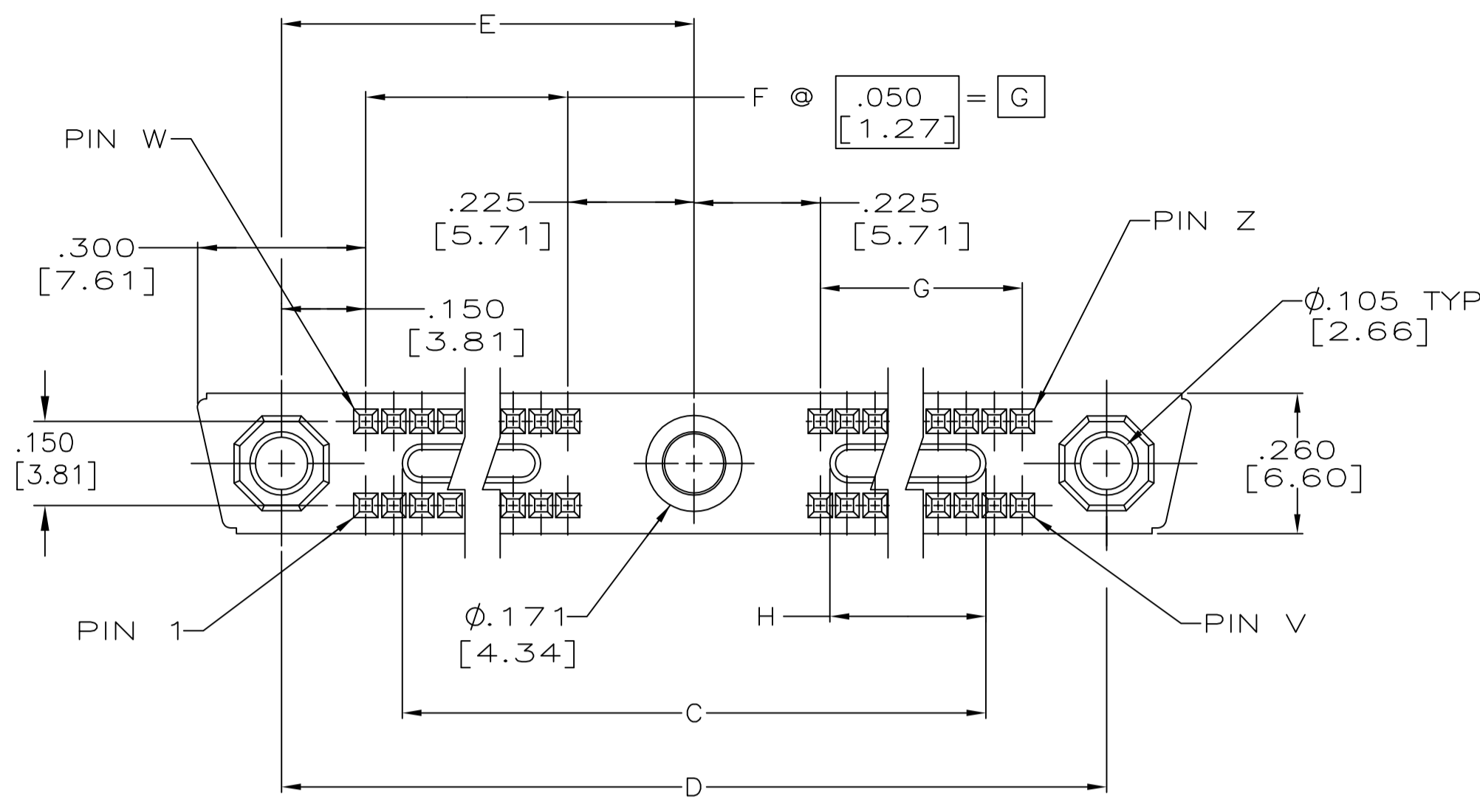
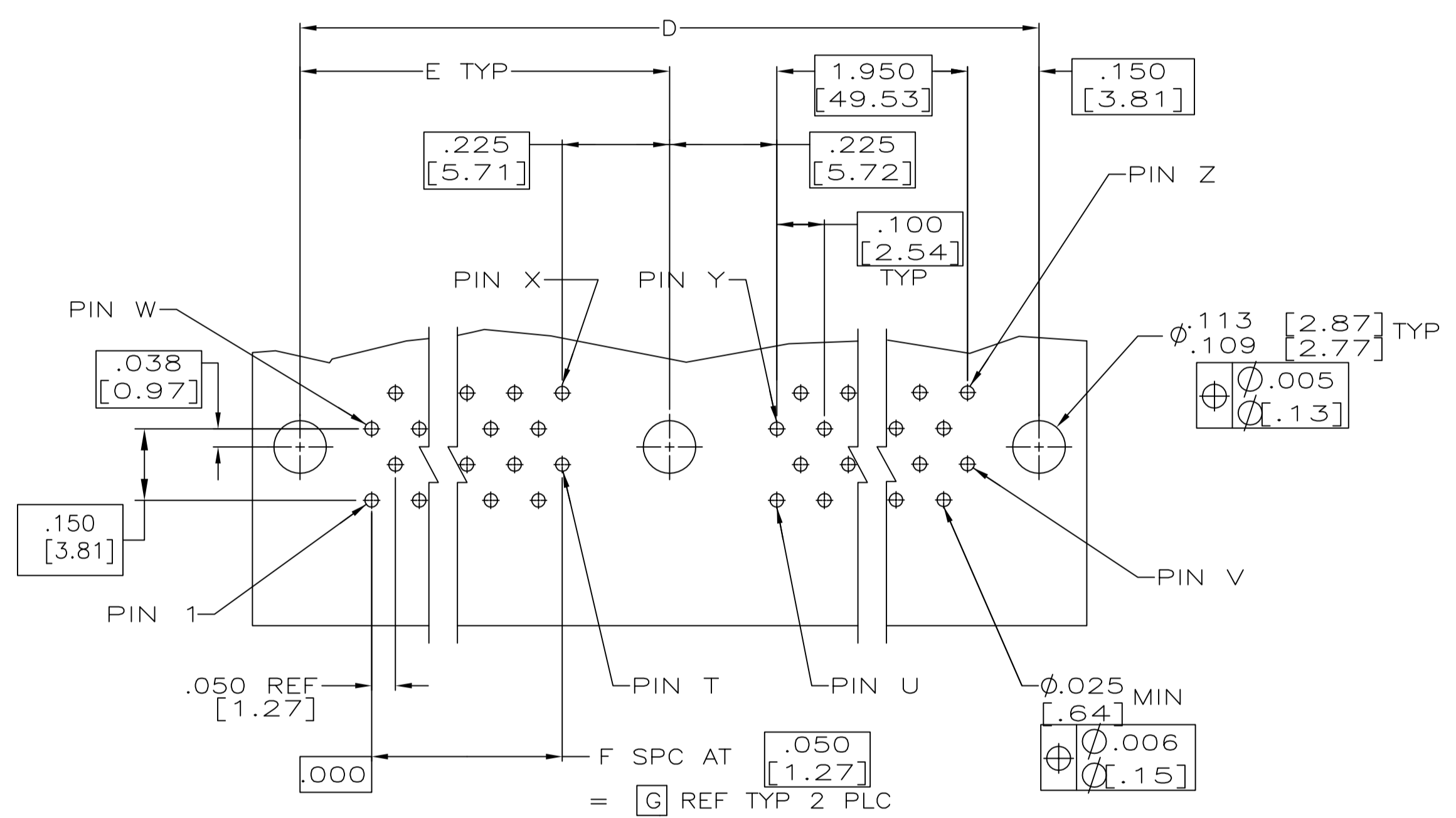
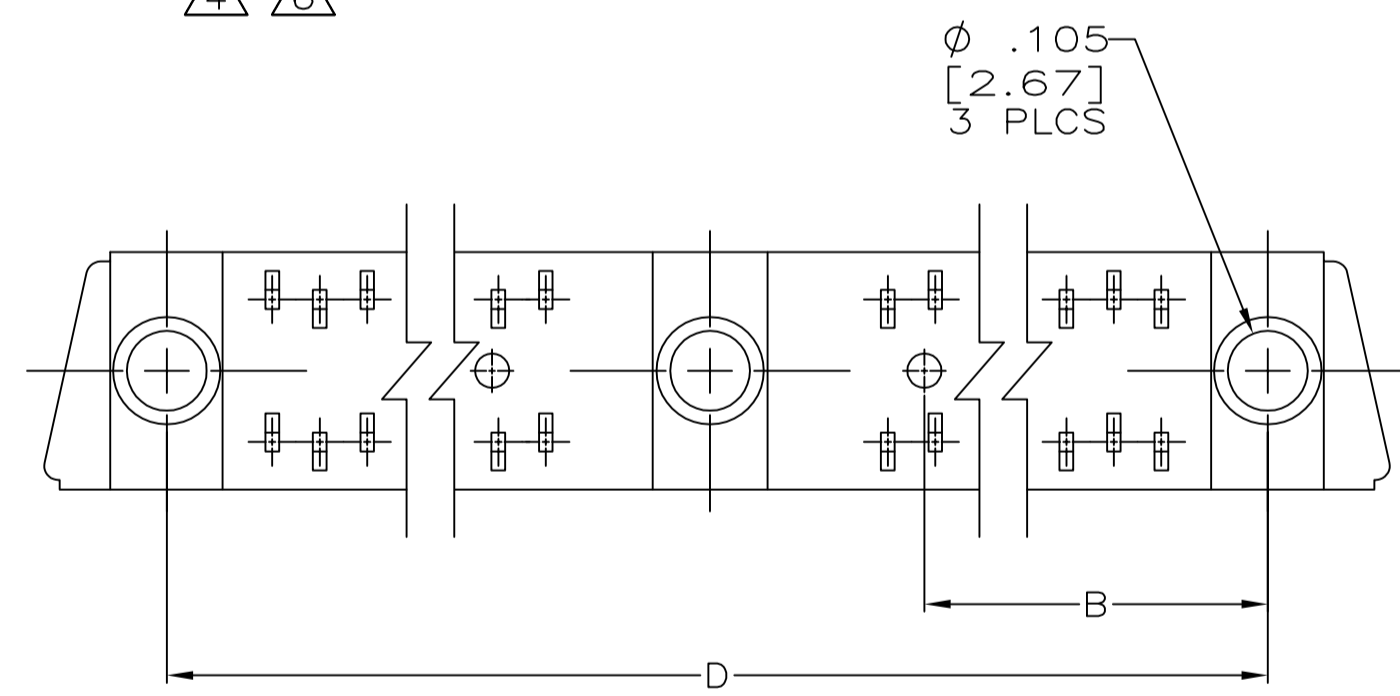
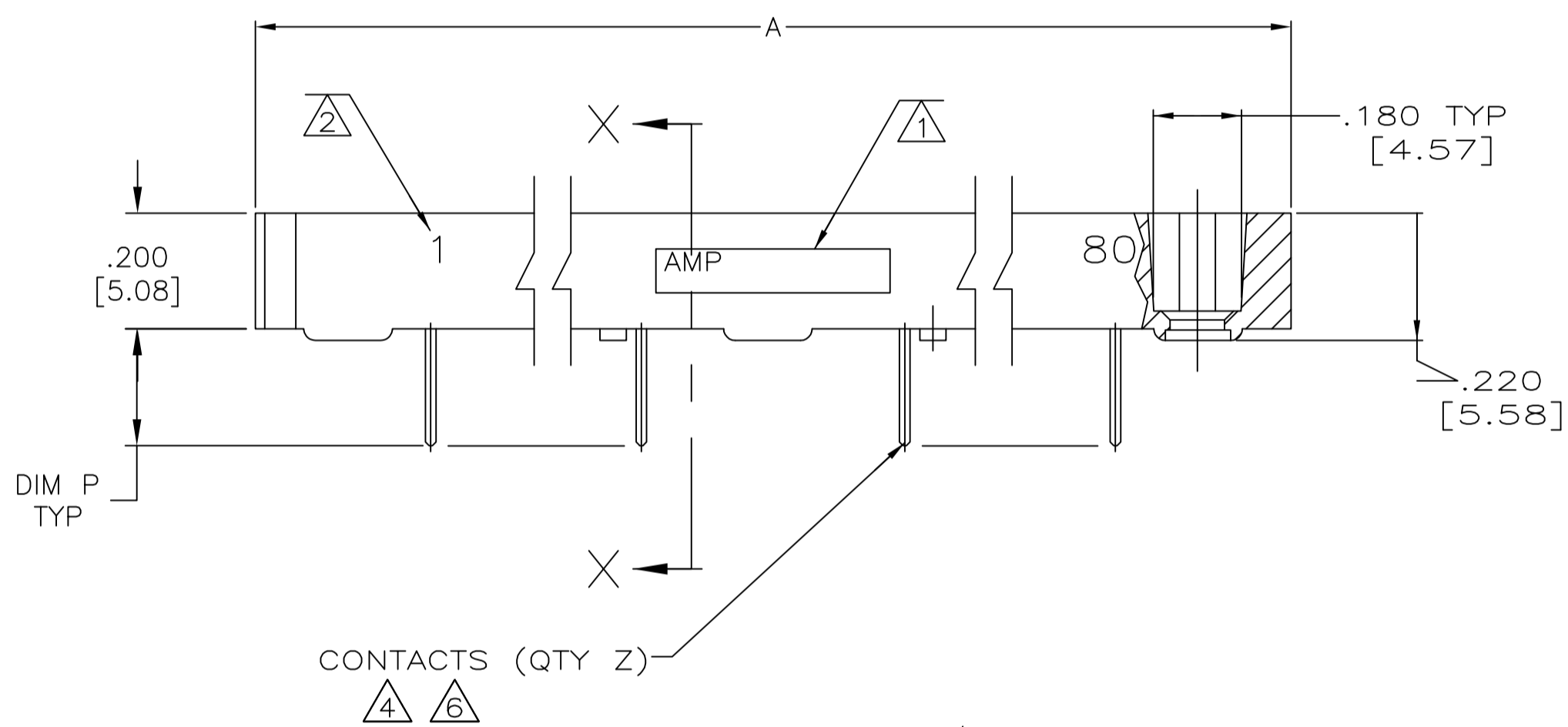


REVISIONS				
P	LTR	DESCRIPTION	DATE	OWN APVD
E		REVISED PER ECO-16-017894	26APR2017	PHM CT



- △ AMP, AMP PART NO. AND DATE CODE MARKED IN THIS APPROXIMATE AREA.
- △ NUMBERS INDICATING END POSITIONS MARKED THIS SIDE ONLY.
- 3. MEETS ALL APPLICABLE REQUIREMENTS OF MIL-C-55302.
- △ FINISH: .000050 [0.0012] GOLD PER MIL-G-45204 OVER NICKEL PER QQ-N-290 IN CONTACT AREA. REMAINDER OF CONTACT TIN-LEAD OVER NICKEL.
- △ HOUSING MATERIAL: LIQUID CRYSTAL POLYMER PER MIL-M-24519, GLCP-30F; COLOR: GRAY.
- △ CONTACT MATERIAL: PHOS BRONZE PER QQ-B-750
- △ EPOXY IS ADDED TO BOTTOM OF HOUSING TO PREVENT MIGRATION OF FLUXES AND CONFORMAL COATING INTO THE CONTACT ENGAGEMENT AREA.



RECOMMENDED PRINTED CIRCUIT BOARD LAYOUT (CONNECTOR SIDE)

.180 [4.57]	△	160	121	120	81	80	41	40	1 & 80	.300 [7.62]	.230 [5.84]	1.800 [45.72]	1.950 [49.53]	39	2.325 [59.06]	4.650 [118.11]	4.200 [106.68]	1.162 [29.51]	4.950 [125.73]	160	1218531-2
.200 [5.08]	△	160	121	120	81	80	41	40	1 & 80	.300 [7.62]	.230 [5.84]	1.800 [45.72]	1.950 [49.53]	39	2.325 [59.06]	4.650 [118.11]	4.200 [106.68]	1.162 [29.51]	4.950 [125.73]	160	1218531-1
P±.015 [±0.38]	REMARKS	Z	Y	X	W	V	U	T	CONTACT IDENT NUMBERS	K±.015 [±0.38]	J±.015 [±0.38]	H	G	F	E	D	C	B	A	NUMBER OF CONTACTS	PART NUMBER

THIS DRAWING IS A CONTROLLED DOCUMENT FOR AMP INCORPORATED. THIS DRAWING IS A CONTROLLED DOCUMENT.

DIMENSIONS: INCHES [mm]

TOLERANCES UNLESS OTHERWISE SPECIFIED:

0 PLC	± -
1 PLC	± -
2 PLC	± -
3 PLC	± .010 [0.25]
4 PLC	± -
ANGLES	± 0°30'
FINISH	△ 5 △ 6 △ 4

MATERIAL: △ 5 △ 6 △ 4

OWN: C.C. THOMAS 9-22-99
 DWR: D. MILLER 9-22-99
 APVD: D. MILLER 9-22-99
 PRODUCT SPEC: -
 APPLICATION SPEC: -
 WEIGHT: -

STE TE Connectivity

RECEPTACLE ASSEMBLY, EXTENDED MINI-BOX WITH LOW FORCE CONTACTS, SPECIAL

SIZE: A1 CAGE CODE: 00779 DRAWING NO: C=1218531 RESTRICTED TO: -
 SCALE: 4:1 SHEET: 1 OF 1 REV: E

CUSTOMER DRAWING