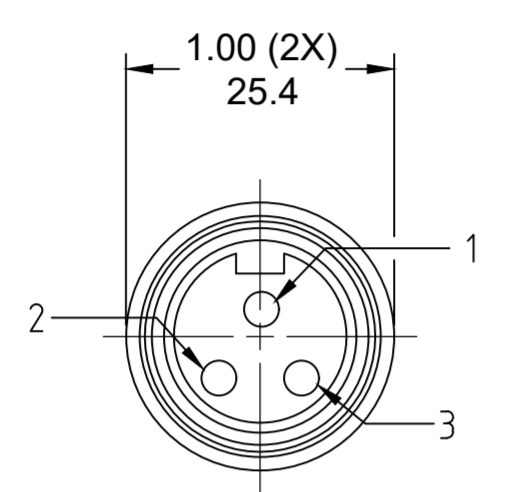


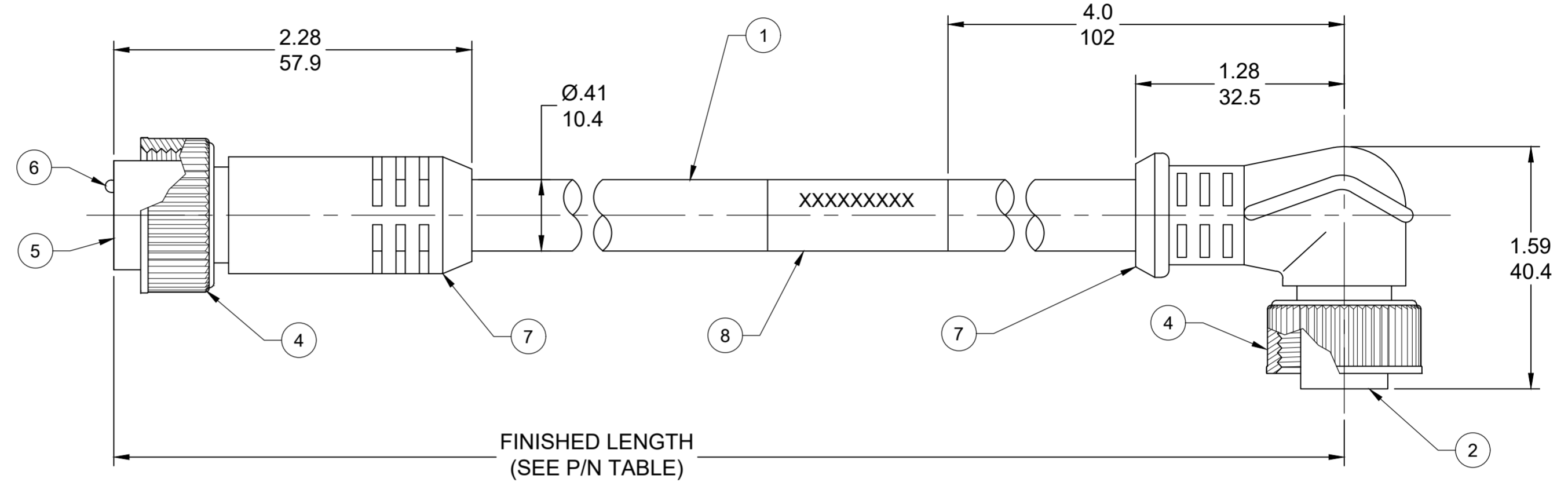
PART NO.	ENGINEERING NO.	FINISHED LENGTH
1300100350	113021A01F010	1.0 FT [0.3M]
1300100351	113021A01F030	3.0 FT [0.9M]
1300100360	113021A01F120	12.0 FT [3.7M]

CABLE LENGTH TOLERANCES			
>.3M [1FT]:	+19mm-0	[ +.75in-0]	
.3 - .9M [1 - 3FT]:	+44.5mm-0	[+1.75in-0]	
.9 - 1.8M [3 - 6FT]:	+55.6mm-0	[+2.19in-0]	
1.8 - 3.7M [6 - 12FT]:	+88.9mm-0	[+3.50in-0]	
3.7 - 7.3M [12 - 24FT]:	+165.1mm-0	[+6.50in-0]	
7.3-14.6M [24 - 48FT]:	+317.5mm-0	[+12.50in-0]	
14.6 - 30.5M [48-100FT]:	+622.3mm-0	[+24.50in-0]	
OVER 30M [100FT]:	+2% OF FINISHED LENGTH		



FACE VIEW-MALE INSERT

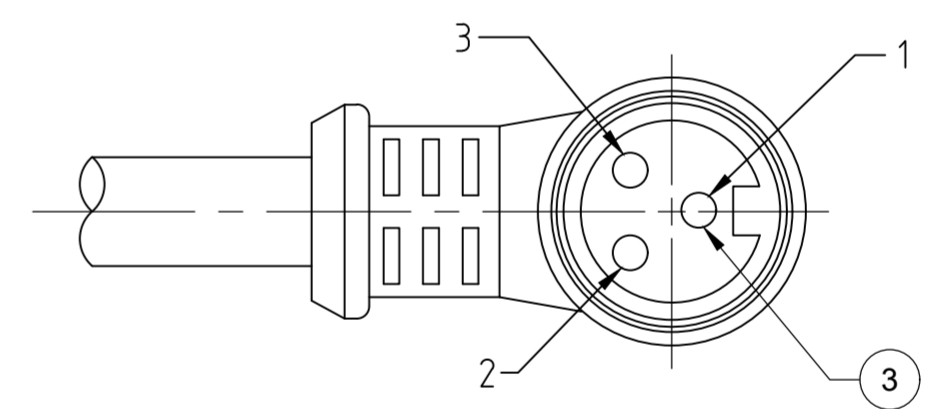
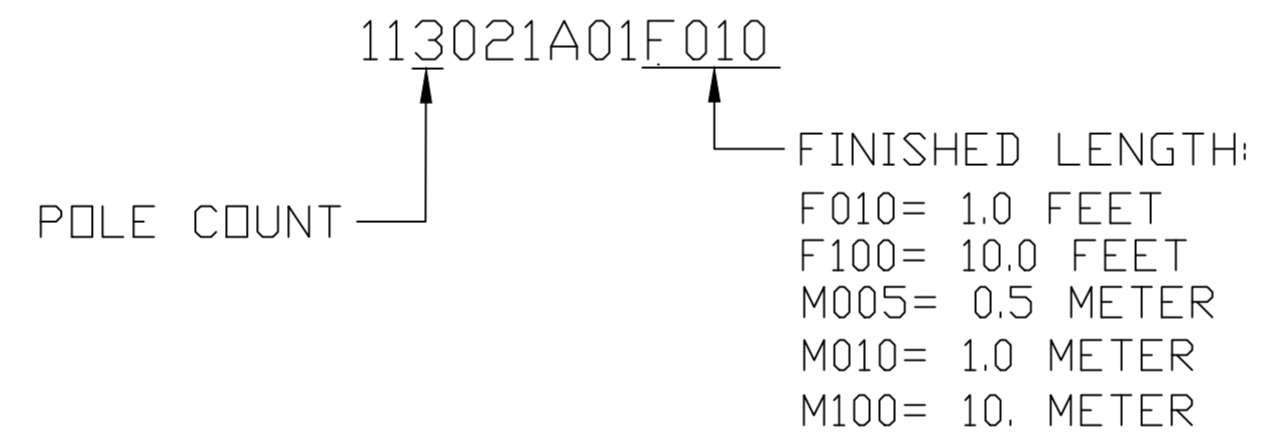
- 1-GREEN/YELLOW
- 2- BLACK
- 3. WHITE



FINISHED LENGTH (SEE P/N TABLE)

- NOTES:**
- MATERIAL: AS NOTED
  - FINISH: AS NOTED
  - ELECTRICAL:  
VOLTAGE: 500V PER IEC 60664  
600V PER UL 2238  
CURRENT: 13A
  - TEMP RATING: -20°C TO +105°C
  - PROTECTION: IP67 (WHEN MATED)
  - COUPLING THREAD: 7/8-16 UN
  - UL RECOGNIZED FILE: E152210  
CSA FILE: LR6837
  - ALL DIMS ARE FOR REFERENCE UNLESS TOLERANCED OR NOTED OTHERWISE

**PART NUMBER LEGEND**



FACE VIEW-FEMALE INSERT

- 1-GREEN/YELLOW
- 2- BLACK
- 3. WHITE

PRE-RELEASE  
REFERENCE  
USE ONLY

ITEM	DESCRIPTION	MATERIAL	FINISH
8	FLAG LABEL	VINYL	BLACK/YELLOW
7	OVERMOLD	TPE	YELLOW
6	CONTACT PIN	COPPER ALLOY	GOLD PLATED
5	MALE INSERT (A-SIZE)	TPE	YELLOW
4	COUPLING, INT. THRD	ZINC DIE-CAST	BLACK
3	CONTACT SOCKET	COPPER ALLOY	GOLD PLATED
2	FEMALE INSERT (A-SIZE)	TPE	YELLOW
1	CABLE, 16AWG (ST00W)	PVC JACKET	YELLOW

THIS DRAWING CONTAINS INFORMATION THAT IS PROPRIETARY TO MOLEX ELECTRONIC TECHNOLOGIES, LLC AND SHOULD NOT BE USED WITHOUT WRITTEN PERMISSION											
SYMBOLS	DIMENSION UNITS	SCALE	CURRENT REV DESC: RELEASED								
	INCH/MM	1:1	<b>molex</b> MINI-CHANGE CABLE ASSEMBLY 3P MALE/FEM, ST/90 16AWG ST00W								
GENERAL TOLERANCES (UNLESS SPECIFIED)		EC NO: ----								DRWN: RSTONE	
▽ = 0	4 PLACES ±----	±----	CHK'D: MZIELINSKI		APPR: ----		INITIAL REVISION:		2019/10/22		
▽ = 0	3 PLACES ±----	±----	DRWN: RSTONE		2019/10/22		DRWN: RSTONE		2019/10/22		
▽ = 0	2 PLACES ±----	±----	APPR: ----		2019/10/22		APPR: ----		2019/10/22		
▽ = 0	1 PLACE ±----	±----	INITIAL REVISION:		2019/10/22		APPR: ----		2019/10/22		
□ = 0	0 PLACES ±----	±----	ANGULAR TOL ± ---- °		THIRD ANGLE PROJECTION		DRAWING		SERIES		
■ = 0	DRAFT WHERE APPLICABLE MUST REMAIN WITHIN DIMENSIONS		THIRD ANGLE PROJECTION		DRAWING		SERIES		MATERIAL NUMBER		
▽ = 0			THIRD ANGLE PROJECTION		DRAWING		SERIES		CUSTOMER		
				C-SIZE		130010		1300100350		PSD 000 1	
								DOCUMENT NUMBER		DOC TYPE   DOC PART   REVISION	
								1300100350		PSD 000 1	
								SHEET NUMBER		1 OF 1	