

Superior Clamping and Gripping



## Product Information

Plug & Work Portfolio Universal Robots

# Plug & Work Portfolio Universal Robots

Plug & Work Portfolio Universal Robots

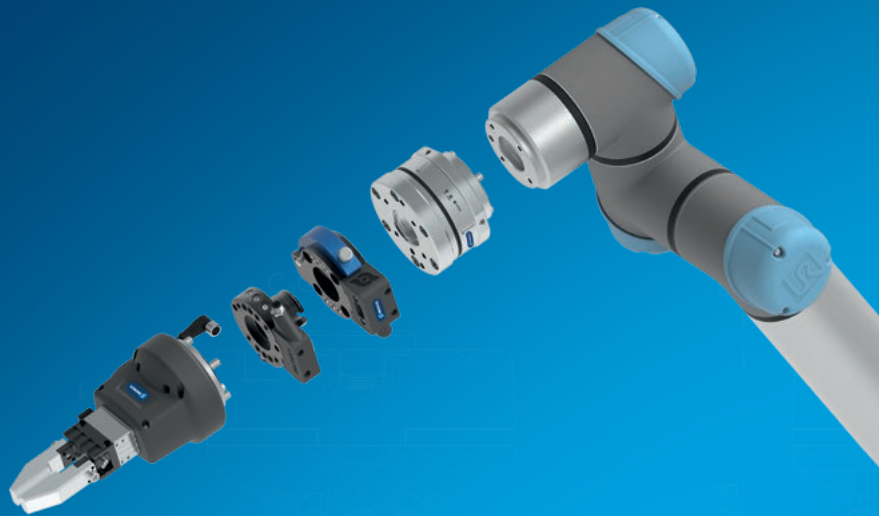
## Modular. Flexible. Easy.

# Plug & Work Portfolio Universal Robots

The Plug & Work portfolio consists of electrically and pneumatically actuated grippers, quick-change modules and force/moment sensors that are specifically adapted to robot arms from Universal Robots.

### Field of application

The components can be used in clean and slightly dirty environments.



### Advantages – Your benefits

**Comprehensive portfolio consisting of various components and grippers for different applications** for fast and easy entry into automation

**Pre-assembled gripping unit with robot interface** therefore no mounting kits or external valves required

**Plug & Work** with the interfaces suitable for all robots from Universal Robots

**Installation modules for robot control are included in the scope of delivery** for fast and easy commissioning

**Certified SCHUNK Co-act grippers** For quick and easy entry into the world of collaborative applications

**Electric grippers with a long adjustable stroke and force range** for flexible workpiece handling

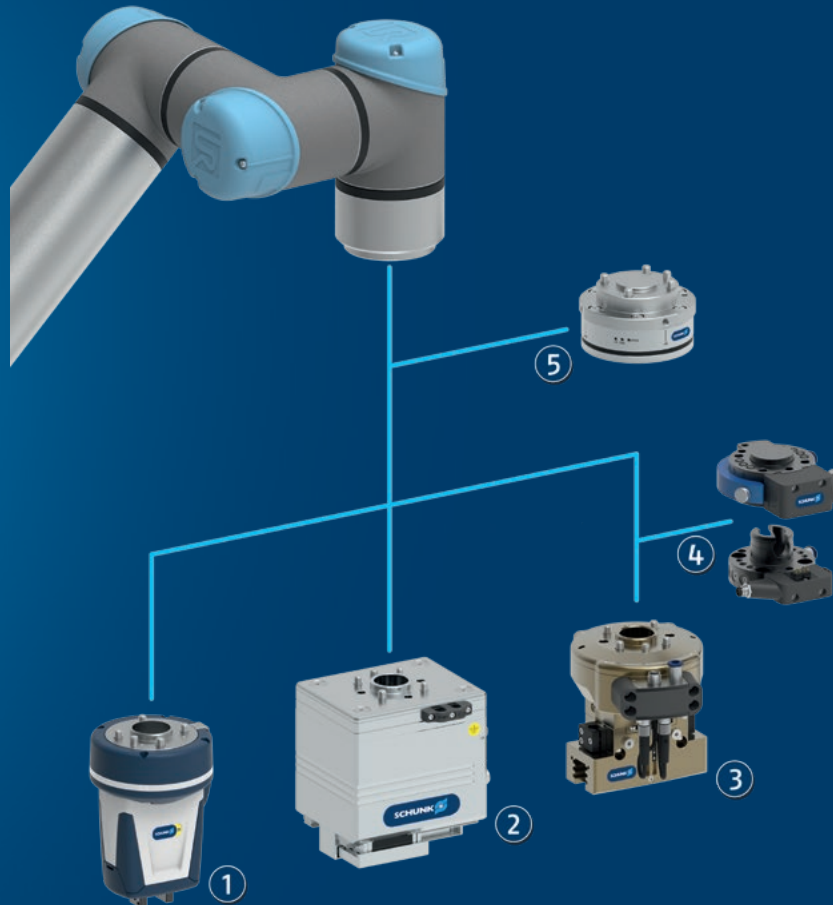
**Pneumatic grippers** For a high power density and simple integration

 <b>Weight</b> 0.14 .. 2.63 kg	 <b>Gripping force</b> 40 .. 870 N	 <b>Stroke per jaw</b> 3 .. 42.5 mm	 <b>Workpiece weight</b> 0.2 .. 11 kg
---	---	--	--

## Functional description

All the Plug & Work components are prepared for mechanical and electrical direct connection to Universal Robots sizes 3, 5, 10, and 16. Depending on requirements, various grippers and end-of-arm components can be selected.

The pneumatic gripping units are additionally equipped with micro valves meaning no external valves are required.



- ① **Co-act Gripper**  
for implementing collaborative applications
- ② **Electric gripper**  
for flexible handling of workpieces
- ③ **Pneumatic grippers**  
For conventional, robust handling of workpieces

- ④ **Change systems**  
for manual exchange of different grippers and actuators
- ⑤ **Force/torque sensor**  
for measuring and processing of forces and torques on the robot arm

# Plug & Work Portfolio Universal Robots

Plug & Work Portfolio Universal Robots

## General notes about the series

**Scope of delivery:** Components for direct connection to robots from Universal Robots, assembly and operating manual with declaration of incorporation, USB stick with URcap

**Gripping force:** is the arithmetic sum of the individual force applied to each jaw at distance P (see illustration).

**Finger length:** The maximum permissible finger length applies until the nominal operating pressure is achieved. With higher pressures, the finger length must be reduced proportionally to the nominal operating pressure.

**Repeat accuracy:** is defined as a distribution of the end position for 100 consecutive strokes.

**Actuation:** Control via digital I/O

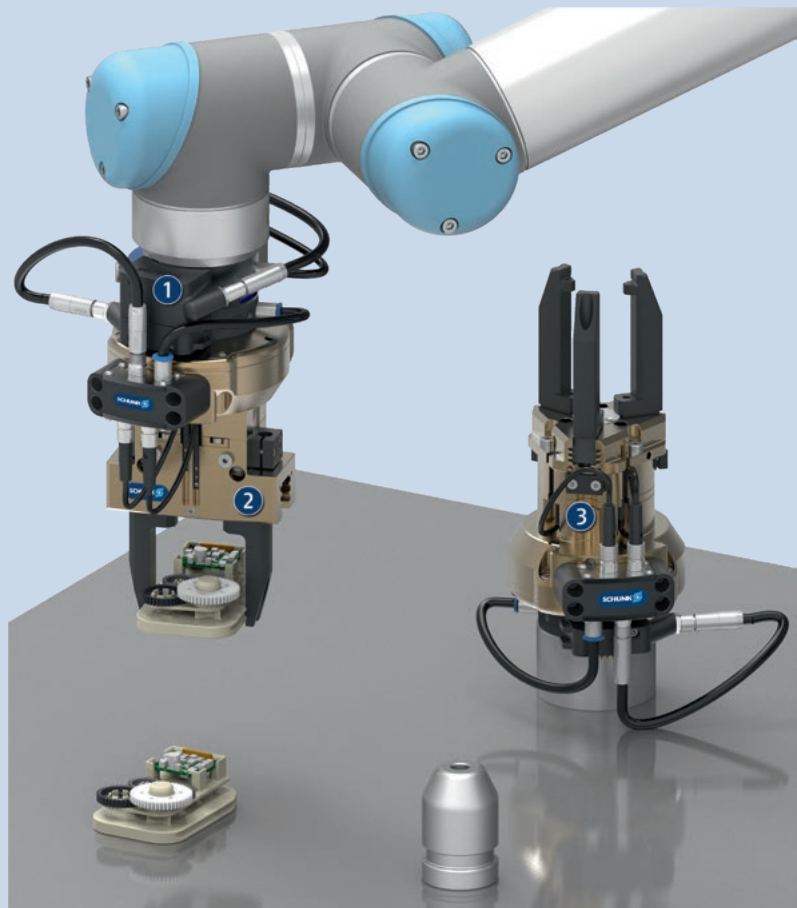
**Workpiece weight:** is calculated for force-fit gripping with a coefficient of static friction of 0.1 and a safety factor of 2 against workpiece slippage at acceleration due to gravity  $g$ . For form-fit or capture gripping, there are significantly higher permissible workpiece weights.

**Closing and opening times:** are purely the times that the base jaws or fingers are in motion. Valve switching times, hose fill times, or PLC reaction times are not included, and are to be considered when cycle times are calculated.

## Application example

Pneumatic gripping units for Universal Robots for flexible handling of various workpieces. By combining change system and gripping unit, the gripper can be exchanged to suit the workpiece.

- 1 Manual change system SHS
- 2 2-finger parallel gripper PGN-plus-P
- 3 3-finger centric gripper PZN-plus



## SCHUNK offers more ...

The following components make the product even more productive – the suitable addition for the highest functionality, flexibility, reliability, and controlled production.



Universal intermediate jaw



Jaw quick-change system



Finger blank



Finger blank with jaw quick-change system



Attachment fingers

① For more information on these products can be found on the following product pages or at [schunk.com](http://schunk.com).

## Options and special information

**Further technical data and accessories:** The products from the Plug & Work portfolio represent a selection of SCHUNK standard products that are adapted for direct use with the respective robots. Further technical data and usable accessories for the individual Plug & Work components are therefore included in the product information for the respective SCHUNK standard components.

# Plug & Work Portfolio Universal Robots – Collaborative Gripping

Plug & Work Portfolio Universal Robots



## Technical data

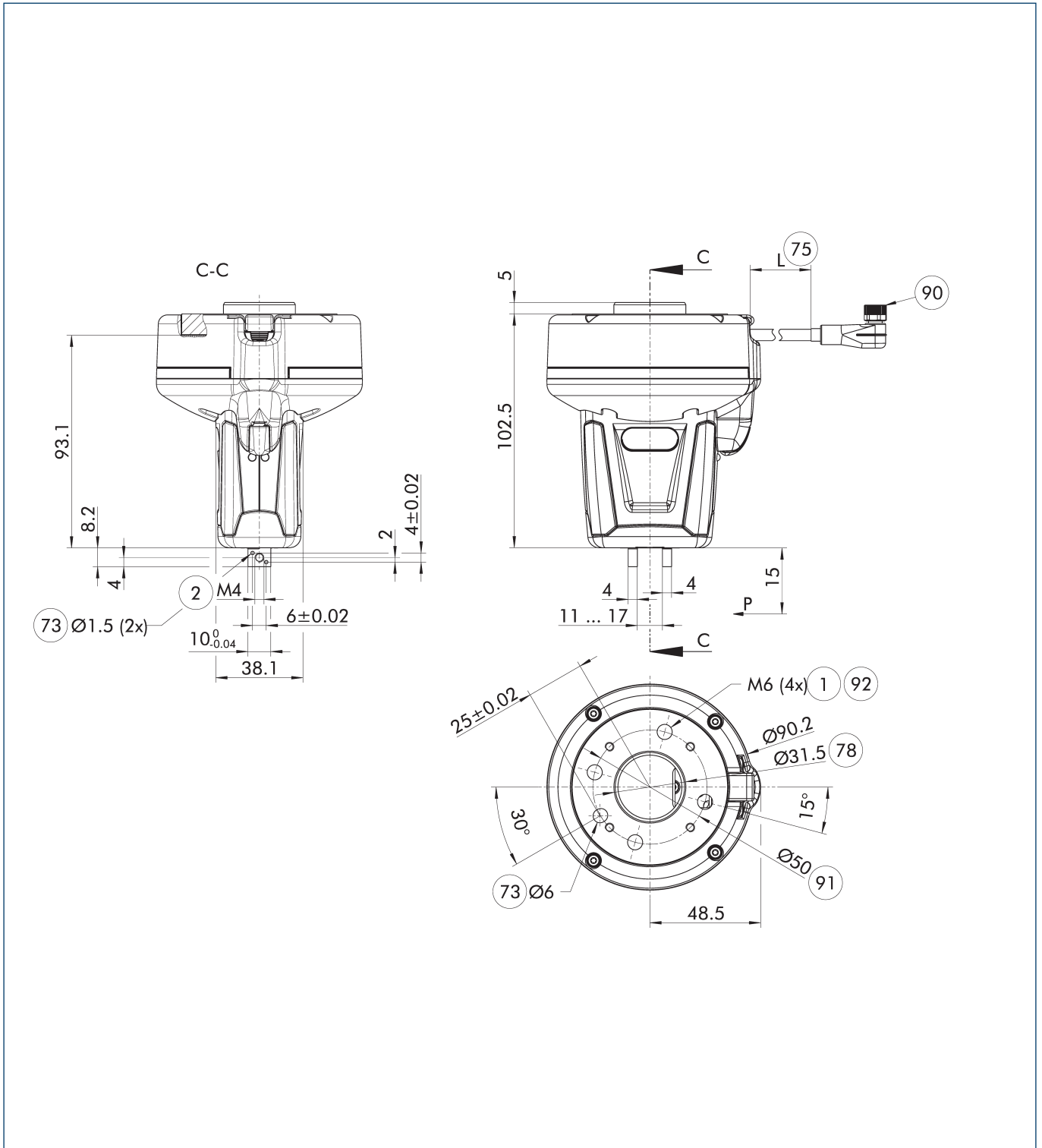
Description		Co-act EGP-C 25-N-N-URID	Co-act EGP-C 25-N-N-UREK	Co-act EGP-C 40-N-N-URID	Co-act EGP-C 40-N-N-UREK	Co-act EGP-C 50-N-N-UREK	Co-act EGP-C 64-N-N-URID
ID		1326452	1327881	1326455	1327883	1327884	1436401
Function		Gripping	Gripping	Gripping	Gripping	Gripping	Gripping
Robot compatibility		UR 3/5/10/16	UR 3/5/10/16	UR 3/5/10/16	UR 3/5/10/16	UR 3/5/10/16	UR 3/5/10/16 (nure-Series)
Standard components		Co-act EGP-C 25-N-N-URID	Co-act EGP-C 25-N-N-UREK	Co-act EGP-C 40-N-N-URID	Co-act EGP-C 40-N-N-UREK	Co-act EGP-C 50-N-N-UREK	Co-act EGP-C 64-N-N-URID
LED strip light			integrated		integrated	integrated	
Stroke per jaw	[mm]	3	3	6	6	8	10
Max. gripping force	[N]	40	40	140	140	215	230
Weight	[kg]	0.36	0.63	0.59	0.86	1.22	1.11
Recommended workpiece weight	[kg]	0.2	0.2	0.7	0.7	1.05	1.15
Cable length	[mm]	90	4000	90	4000	4000	90

- ① You can find more technical values in the catalog chapter for the respective standard component.  
For the Co-act EGP-C-URID combined with force/moment sensor, cable extension ID 1339964 is required.

Description		Co-act EGP-C 64-N-N-UREK
ID		1327885
Function		Gripping
Robot compatibility		UR 3/5/10/16
Standard components		Co-act EGP-C 64-N-N-UREK
LED strip light		integrated
Stroke per jaw	[mm]	10
Max. gripping force	[N]	230
Weight	[kg]	1.38
Recommended workpiece weight	[kg]	1.15
Cable length	[mm]	4000

- ① You can find more technical values in the catalog chapter for the respective standard component.  
For the Co-act EGP-C-URID combined with force/moment sensor, cable extension ID 1339964 is required.

## Main view Co-act EGP-C 25-N-N-URID



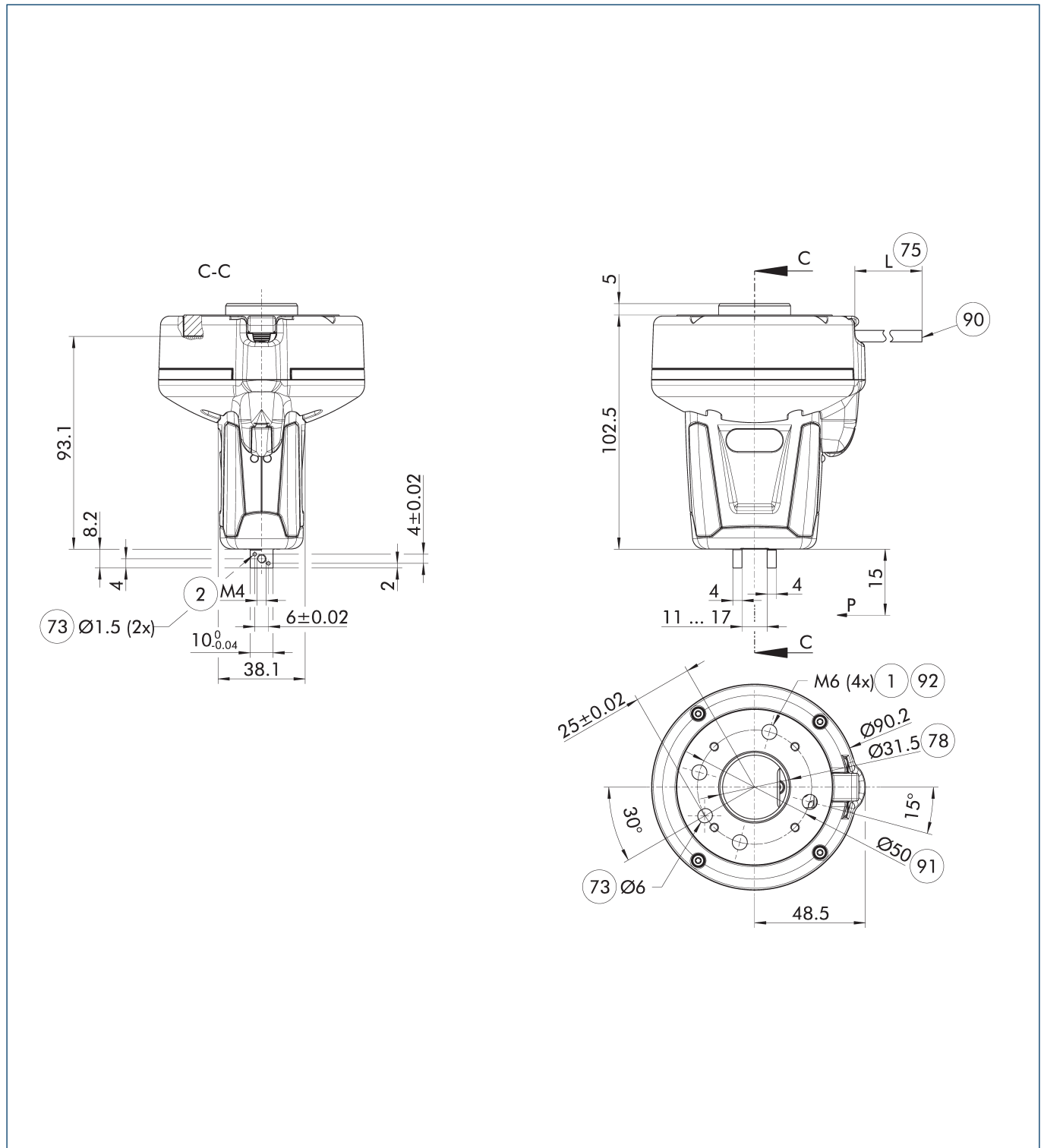
The drawing shows the basic version of the gripper with open jaws.

- |                           |  |
|---------------------------|--|
| ① Gripper connection      | ⑦⑧ Fit for centering                   |
| ② Finger connection       | ⑨⑩ Socket M8, 8-pin                    |
| ⑦③ Fit for centering pins | ⑨① DIN ISO-9409 bolt circle            |
| ⑦⑤ Cable length           | ⑨② Through holes for screw connections |

# Plug & Work Portfolio Universal Robots – Collaborative Gripping

Plug & Work Portfolio Universal Robots

## Main view Co-act EGP-C 25-N-N-UREK

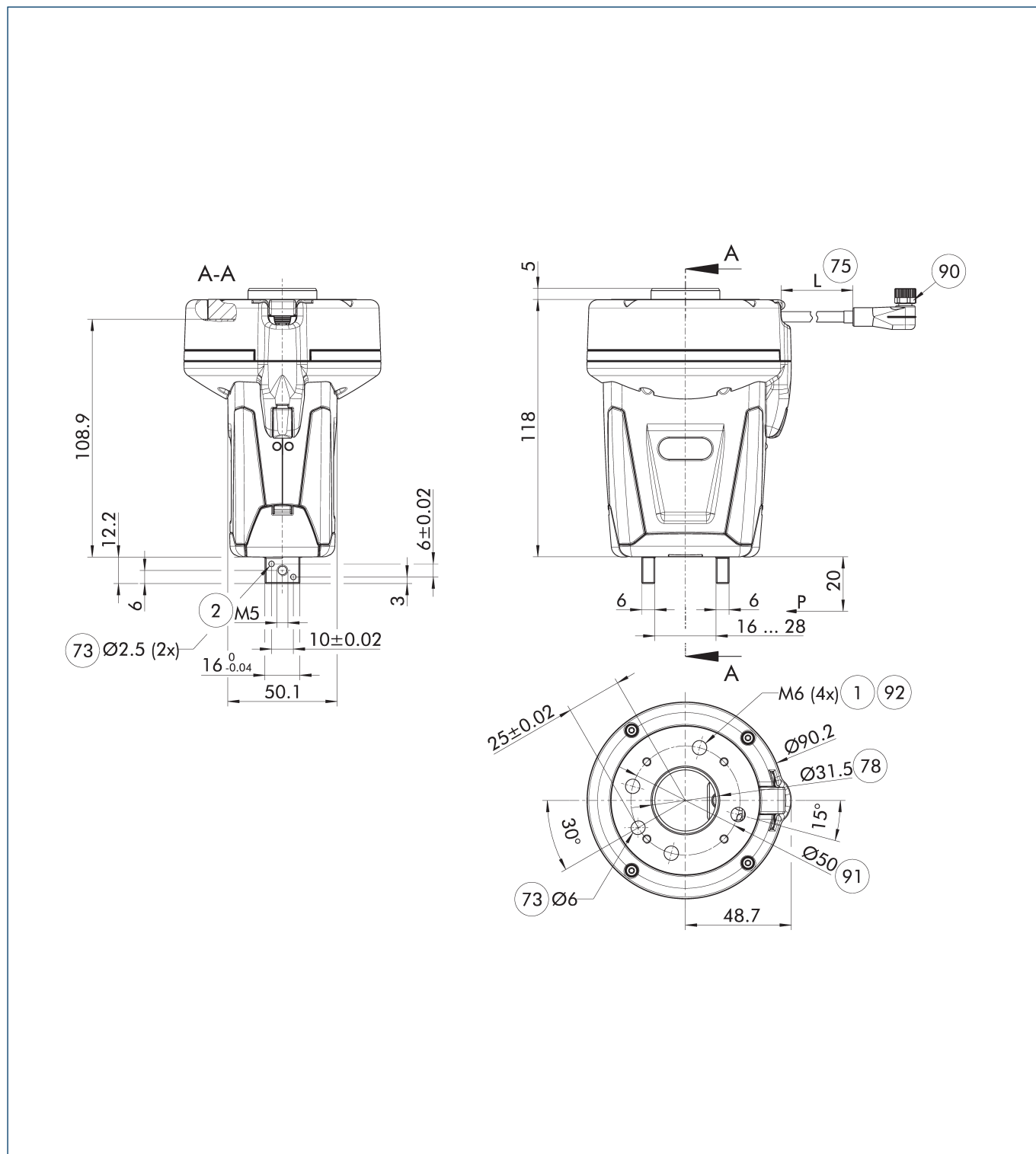


The drawing shows the basic version of the gripper with open jaws.

- |                           |  |
|---------------------------|--|
| ① Gripper connection      | ⑦⑧ Fit for centering                   |
| ② Finger connection       | ⑨⑩ open wire strands                   |
| ⑦③ Fit for centering pins | ⑨① DIN ISO-9409 bolt circle            |
| ⑦⑤ Cable length           | ⑨② Through holes for screw connections |



## Main view Co-act EGP-C 40-N-N-URID



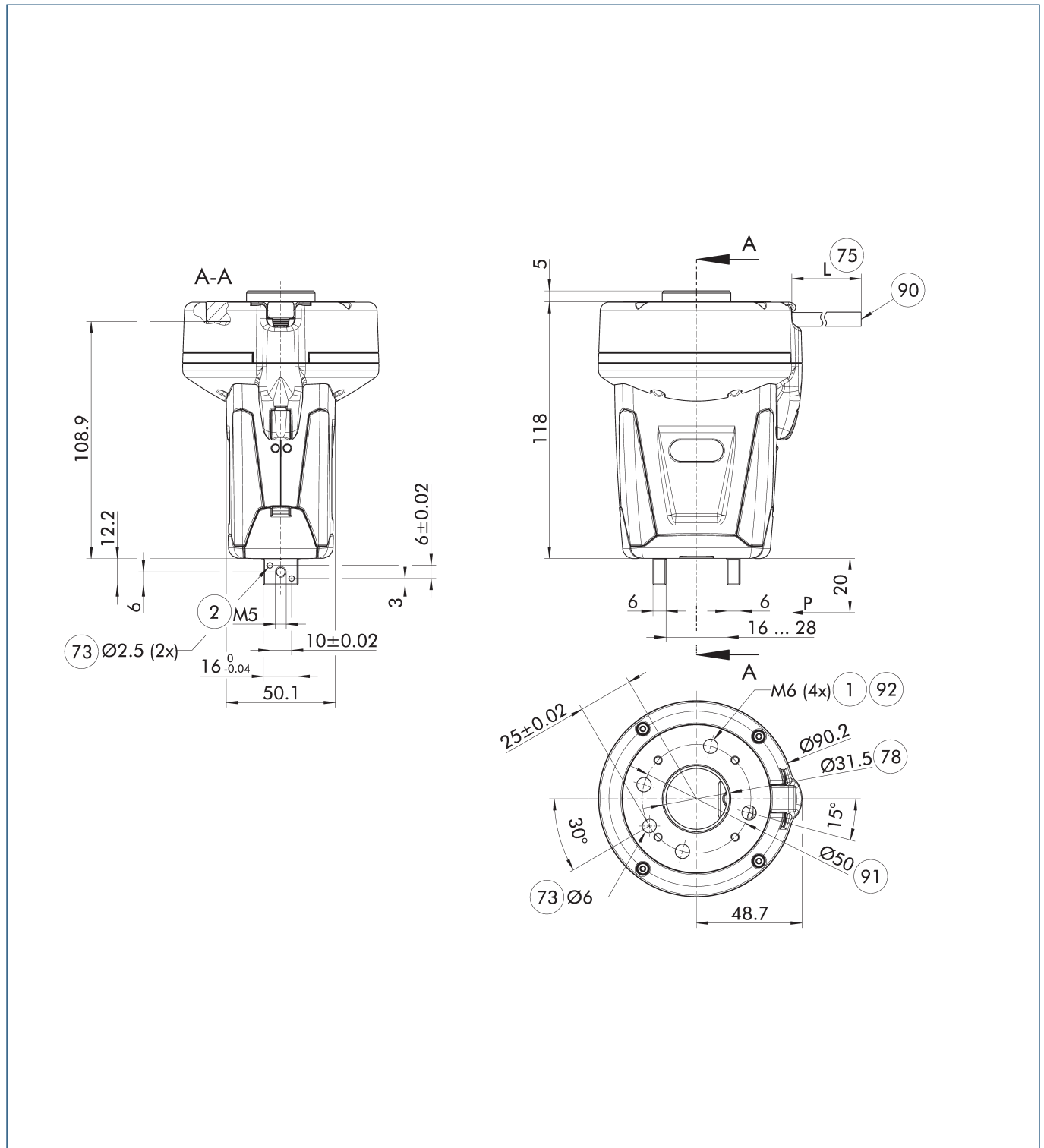
The drawing shows the basic version of the gripper with open jaws.

- |                           |  |
|---------------------------|--|
| ① Gripper connection      | ⑦⑧ Fit for centering                   |
| ② Finger connection       | ⑨⑩ Socket M8, 8-pin                    |
| ③④ Fit for centering pins | ⑪⑫ DIN ISO-9409 bolt circle            |
| ⑬ Cable length            | ⑬⑭ Through holes for screw connections |

# Plug & Work Portfolio Universal Robots – Collaborative Gripping

Plug & Work Portfolio Universal Robots

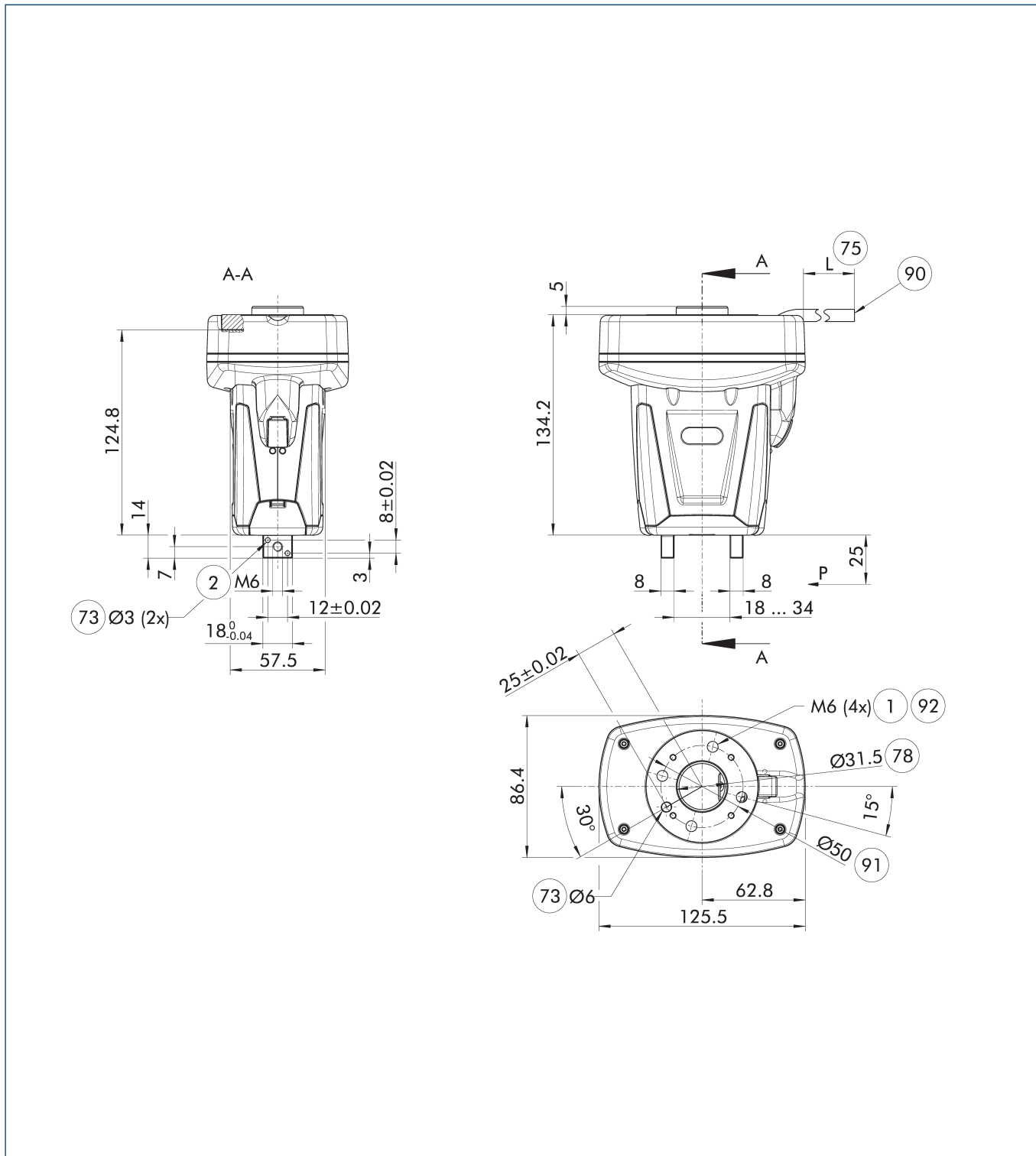
## Main view Co-act EGP-C 40-N-N-UREK



The drawing shows the basic version of the gripper with open jaws.

- |                           |  |
|---------------------------|--|
| ① Gripper connection      | ⑦⑧ Fit for centering                   |
| ② Finger connection       | ⑨⑩ open wire strands                   |
| ⑦③ Fit for centering pins | ⑨① DIN ISO-9409 bolt circle            |
| ⑦⑤ Cable length           | ⑨② Through holes for screw connections |

## Main view Co-act EGP-C 50-N-N-UREK



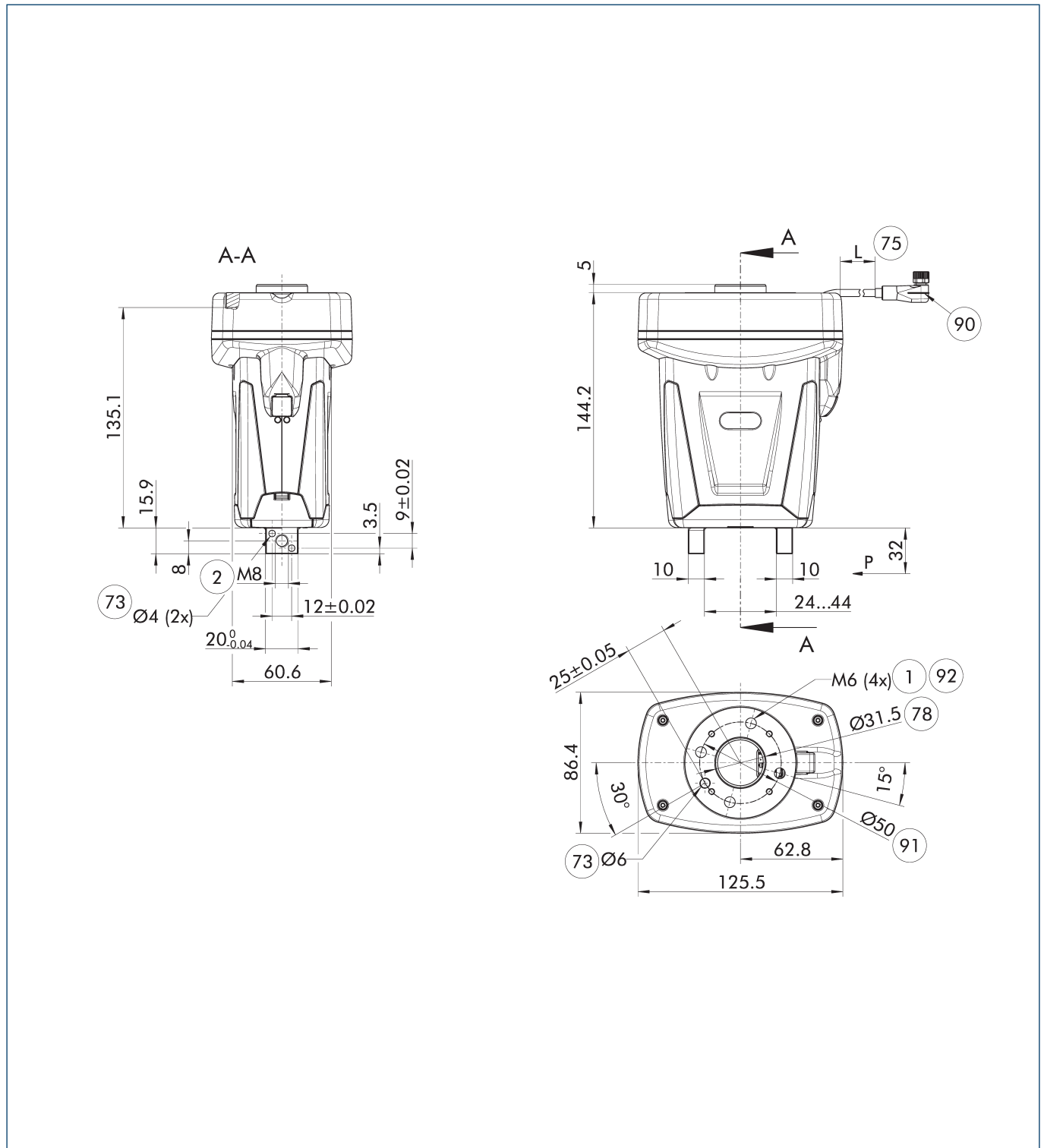
The drawing shows the basic version of the gripper with open jaws.

- |                           |  |
|---------------------------|--|
| ① Gripper connection      | ⑦⑧ Fit for centering                   |
| ② Finger connection       | ⑨⑩ open wire strands                   |
| ⑦③ Fit for centering pins | ⑨① DIN ISO-9409 bolt circle            |
| ⑦⑤ Cable length           | ⑨② Through holes for screw connections |

# Plug & Work Portfolio Universal Robots – Collaborative Gripping

Plug & Work Portfolio Universal Robots

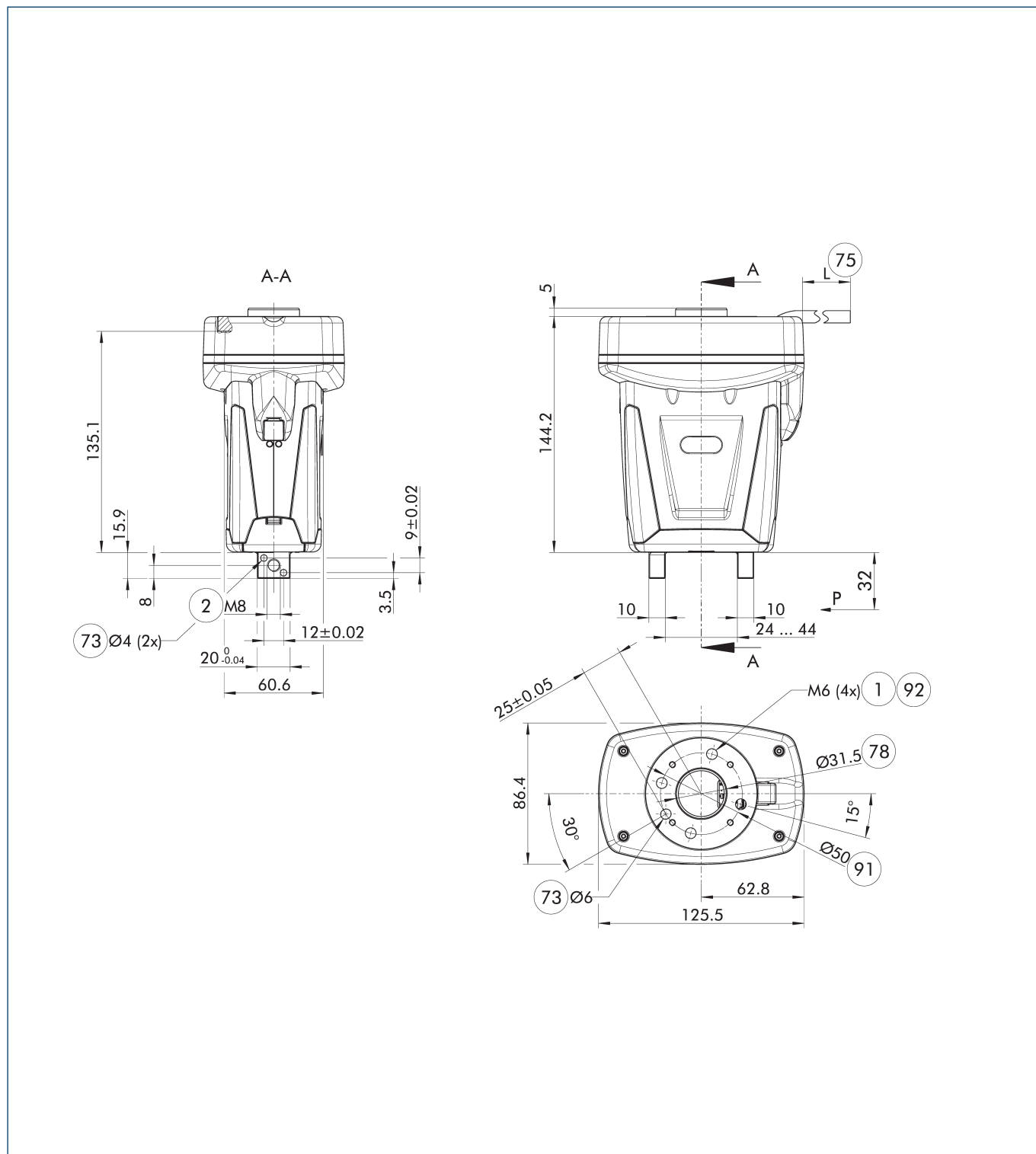
## Main view Co-act EGP-C 64-N-N-URID



The drawing shows the basic version of the gripper with open jaws.

- |                           |  |
|---------------------------|--|
| ① Gripper connection      | ⑦⑧ Fit for centering                   |
| ② Finger connection       | ⑨⑩ Socket M8, 8-pin                    |
| ③⑦ Fit for centering pins | ⑨① DIN ISO-9409 bolt circle            |
| ⑤ Cable length            | ⑨② Through holes for screw connections |

## Main view Co-act EGP-C 64-N-N-UREK



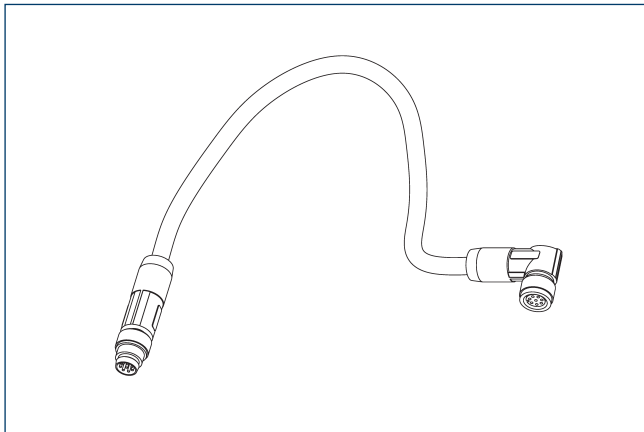
The drawing shows the basic version of the gripper with open jaws.

- |                           |  |
|---------------------------|--|
| ① Gripper connection      | ⑦⑧ Fit for centering                   |
| ② Finger connection       | ⑨⑩ open wire strands                   |
| ⑦③ Fit for centering pins | ⑨① DIN ISO-9409 bolt circle            |
| ⑦⑤ Cable length           | ⑨② Through holes for screw connections |

# Plug & Work Portfolio Universal Robots – Collaborative Gripping

Plug & Work Portfolio Universal Robots

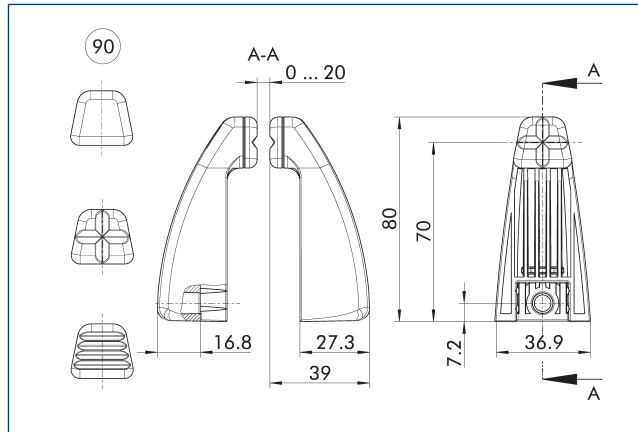
## Cable extension



Description	ID	
Cable extension		
KV SG08 BW08 8P 0,3m	1339964	

- ① Bei der Kombination Co-act EGP-C-URID mit Kraft-Momenten-Sensor wird die Kabelverlängerung ID 1339964 benötigt. Bei der Kombination EGP 40 mit Kraft-Momenten-Sensor werden die Adapterplatte ID 1355667 und die Kabelverlängerung ID 1339964 benötigt.

## Top jaw AUB Co-act EGP



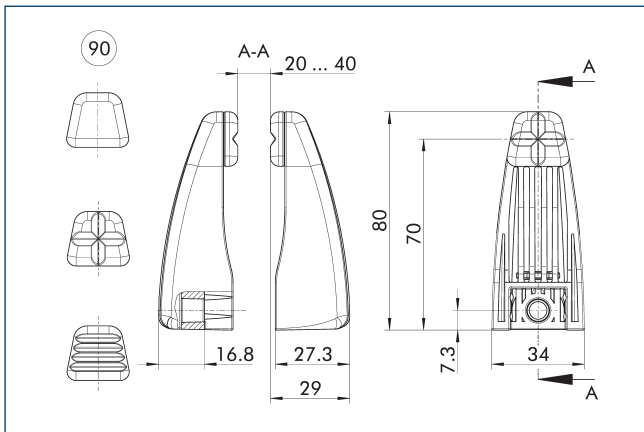
### 90 Finger inserts

The top jaws are specifically designed for the Co-act EGP gripper. Depending on the size, they are available with varying clamping ranges. Depending on the application and workpiece, one of the supplied finger inserts can be used. The finger inserts are manufactured from rigid or elastic material.

Description	ID	Material
Finger blank		
AUB Co-act EGP 64/20	1401294	PA/TPU

- ① The scope of delivery includes two top jaws including fastening material. Observe the notes in the Assembly and Operating Manual of the Co-act EGP gripper.

## Top jaw AUB Co-act EGP



### 90 Finger inserts

The top jaws are specifically designed for the Co-act EGP gripper. Depending on the size, they are available with varying clamping ranges. Depending on the application and workpiece, one of the supplied finger inserts can be used. The finger inserts are manufactured from rigid or elastic material.

Description	ID	Material
Finger blank		
AUB Co-act EGP 64/40	1401297	PA/TPU

- ① The scope of delivery includes two top jaws including fastening material. Observe the notes in the Assembly and Operating Manual of the Co-act EGP gripper.



# Plug & Work Portfolio Universal Robots – Electric Gripping

Plug & Work Portfolio Universal Robots



## Technical data

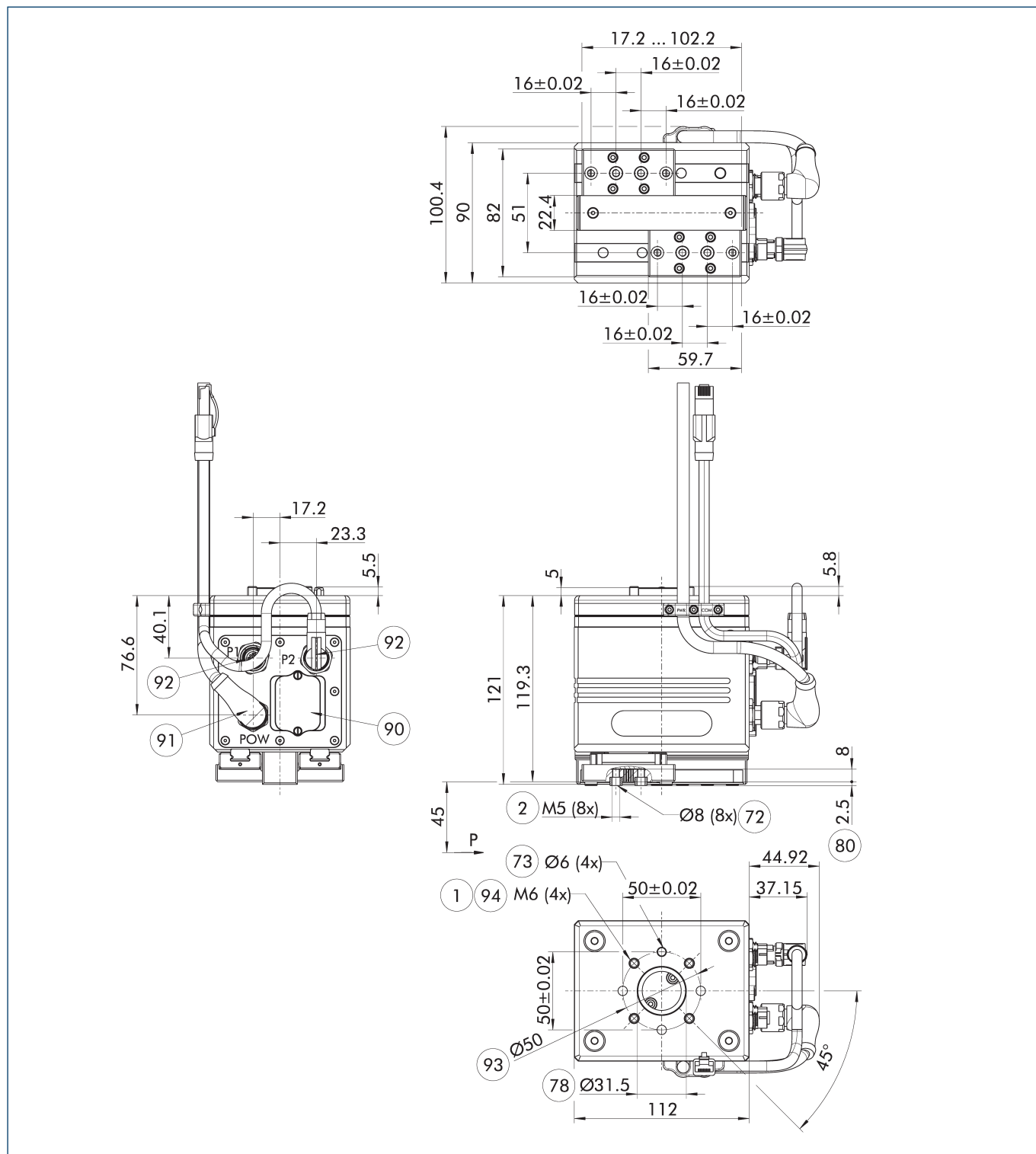
Description		EOA-UR3510-EGL 90	EOA-UR3510-EGL 90-AUB	EOA-UR3510-EGP 40
ID		1392477	1403607	1320370
Function		Gripping	Gripping	Gripping
Robot compatibility		UR 3/5/10/16	UR 3/5/10/16	UR 3/5/10/16
Standard components		EGL 90	EGL 90	EGP 40
Stroke per jaw	[mm]	42.5	42.5	6
Max. gripping force	[N]	600	600	140
Weight	[kg]	2.13	2.63	0.7
Recommended workpiece weight	[kg]	3	3	0.7

① You can find more technical values in the catalog chapter for the respective standard component.

The adapter plate ID 1355667 is required for combining the EGP 40 with a force/torque sensor, change system, or UR 16. Cable extension ID 1339964 is required when the EGP 40 is combined with the force/torque sensor.



## Main view E0A-UR3510-EGL 90



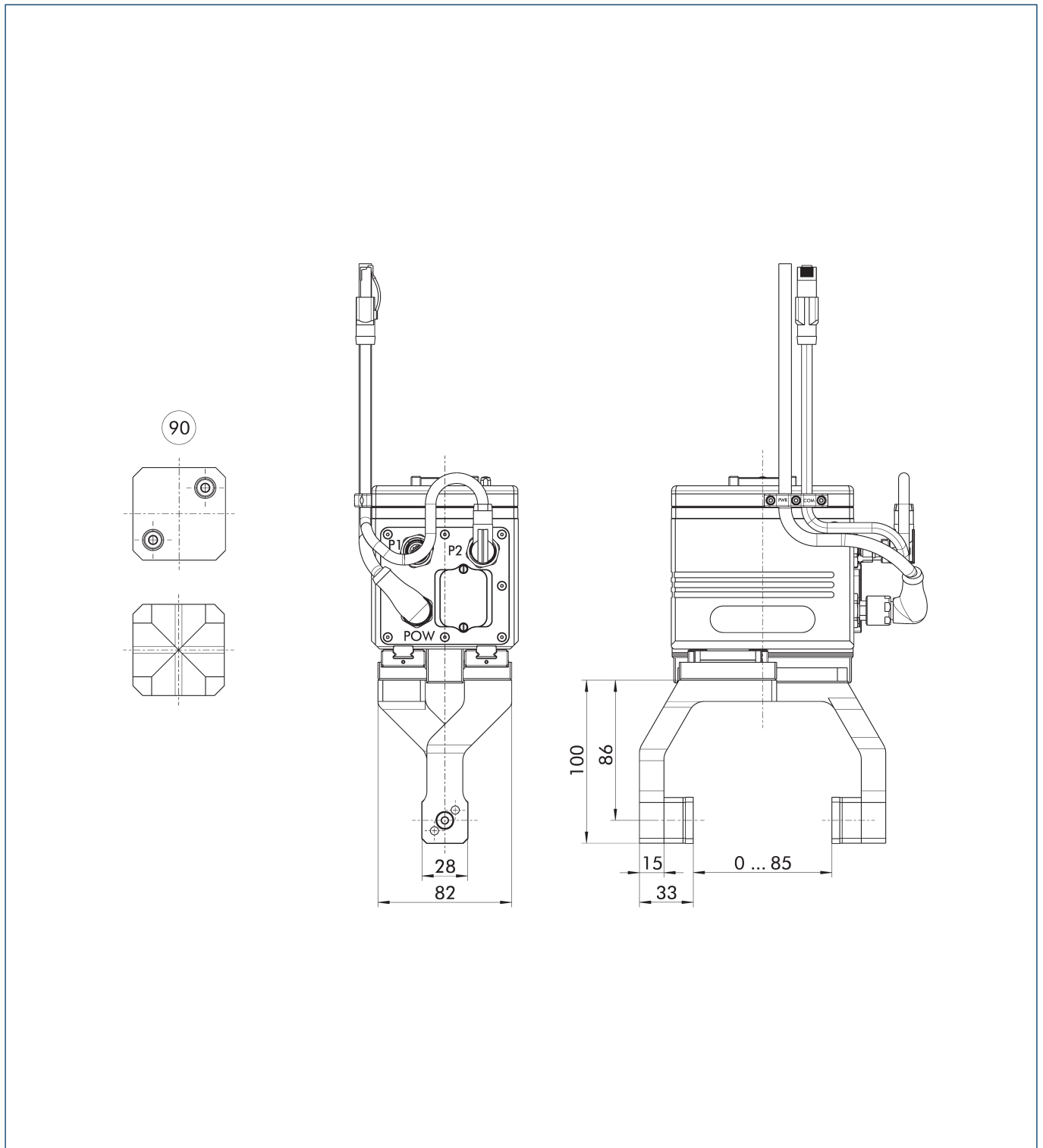
The drawing shows the basic version of the gripper with open jaws, without dimensional consideration of the options described below.

- |   |  |
|---|--|
| ① Gripper connection                                      | ⑨⑩ Service window                          |
| ② Finger connection                                       | ⑨① M12 connector, T-coded (voltage supply) |
| ⑦② Fit for centering sleeves                              | ⑨② M12 PROFINET socket                     |
| ⑦③ Fit for centering pins                                 | ⑨③ DIN ISO-9409 bolt circle                |
| ⑦⑧ Fit for centering                                      | ⑨④ Through holes for screw connections     |
| ⑧① Depth of the centering sleeve hole in the counter part |  |

# Plug & Work Portfolio Universal Robots – Electric Gripping

Plug & Work Portfolio Universal Robots

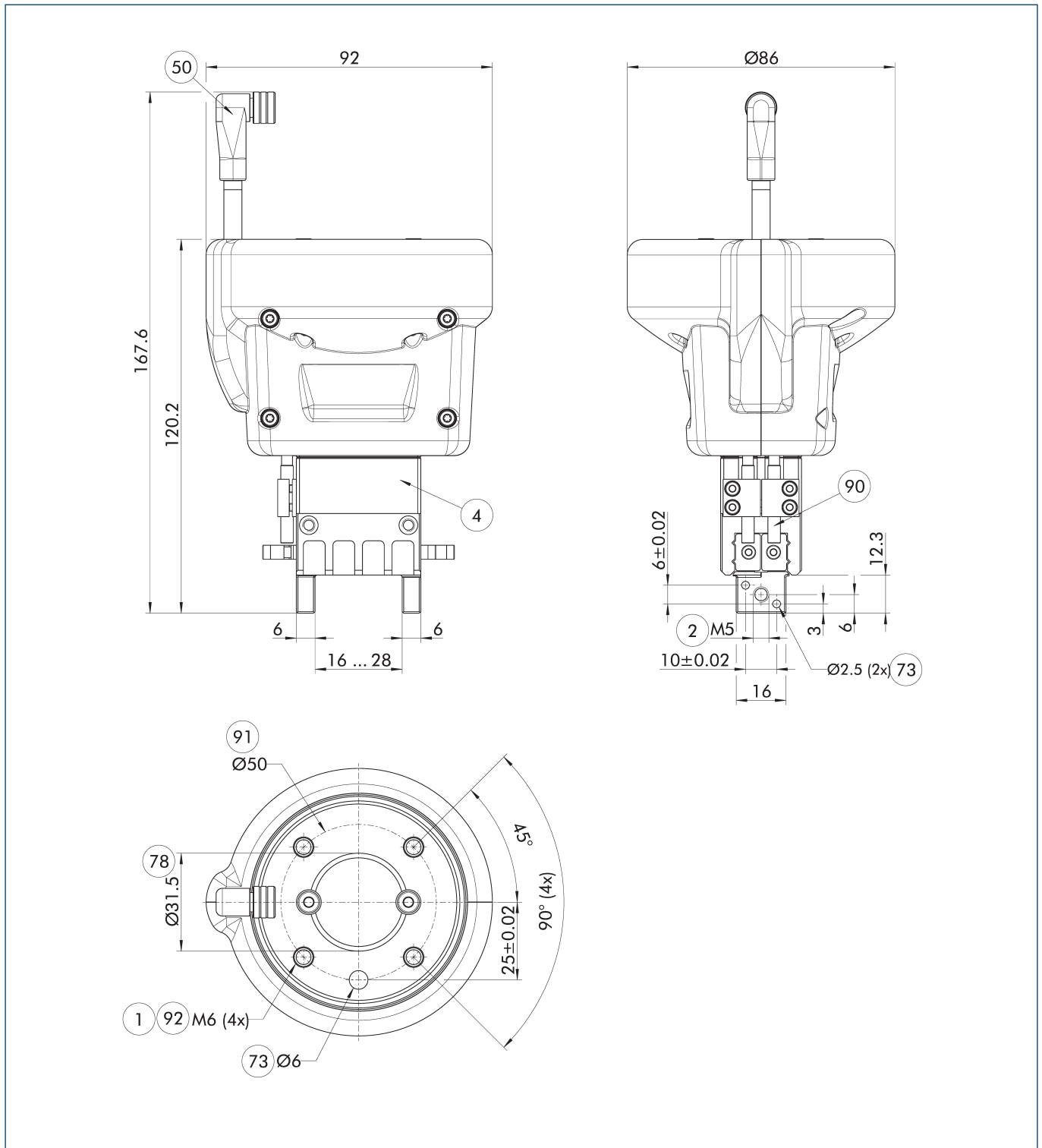
## Main view EOA-UR3510-EGL 90-AUB with top jaws



The drawing shows the basic version of the gripper with top jaws.

90 Finger inserts

## Main view EOA-UR3510-EGP 40



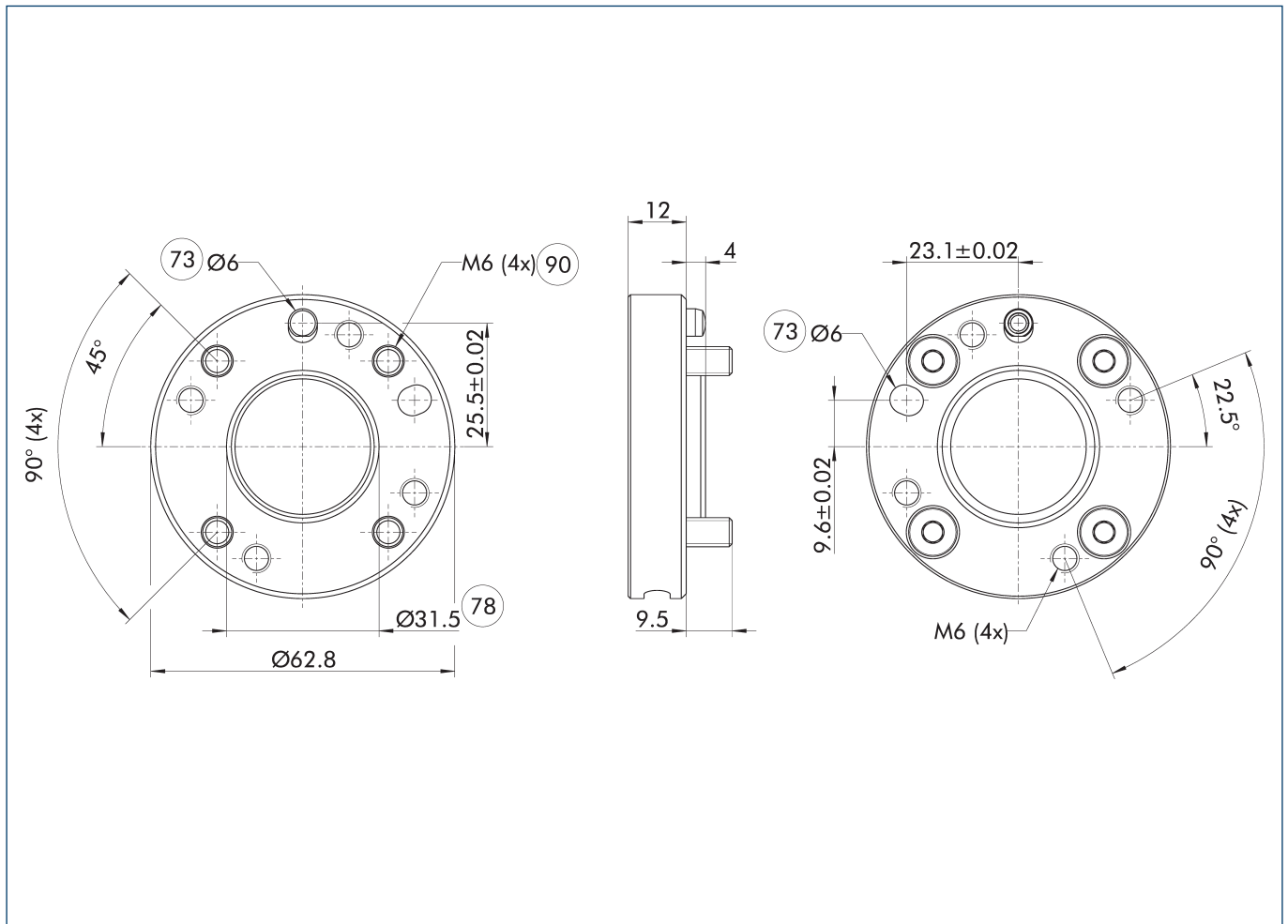
The drawing shows the basic version of the gripper without dimensional consideration of the options described below.

- |                           |  |
|---------------------------|--|
| ① Gripper connection      | ⑦⑧ Fit for centering                   |
| ② Finger connection       | ⑨⑩ Sensor IN ...                       |
| ④ Grippers                | ⑨① DIN ISO-9409 bolt circle            |
| ⑤⑥ Electrical connection  | ⑨② Through holes for screw connections |
| ⑦③ Fit for centering pins |  |

# Plug & Work Portfolio Universal Robots – Electric Gripping

Plug & Work Portfolio Universal Robots

## Adapter plate IS050-IS050



73 Fit for centering pins

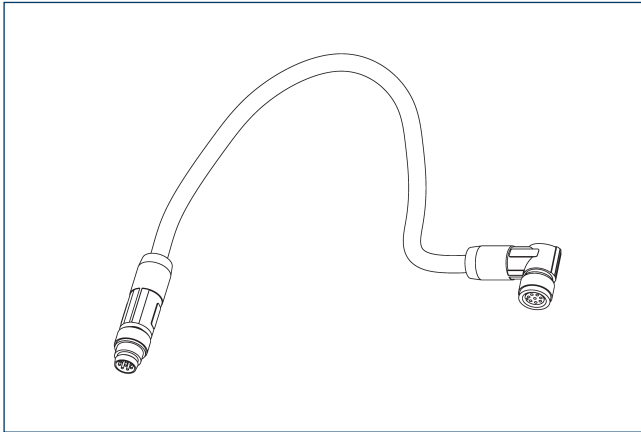
90 Through holes for screw connections

78 Fit for centering

Description	ID
Adapter plate	
EOA-UR3510-AK0-EGP 40	1355667

① The adapter plate ID 1355667 is required for combining the EGP 40 with a force/torque sensor, change system, or UR 16. Cable extension ID 1339964 is required when the EGP 40 is combined with the force/torque sensor.

## Cable extension

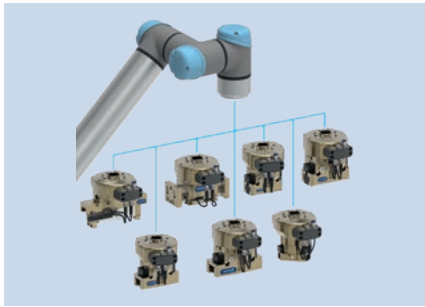


Description	ID
Cable extension	
KV SG08 BW08 8P 0,3m	1339964

- ① Bei der Kombination Co-act EGP-C-URID mit Kraft-Momenten-Sensor wird die Kabelverlängerung ID 1339964 benötigt. Bei der Kombination EGP 40 mit Kraft-Momenten-Sensor werden die Adapterplatte ID 1355667 und die Kabelverlängerung ID 1339964 benötigt.

# Plug & Work Portfolio Universal Robots – Pneumatic Gripping

Plug & Work Portfolio Universal Robots



## Technical data

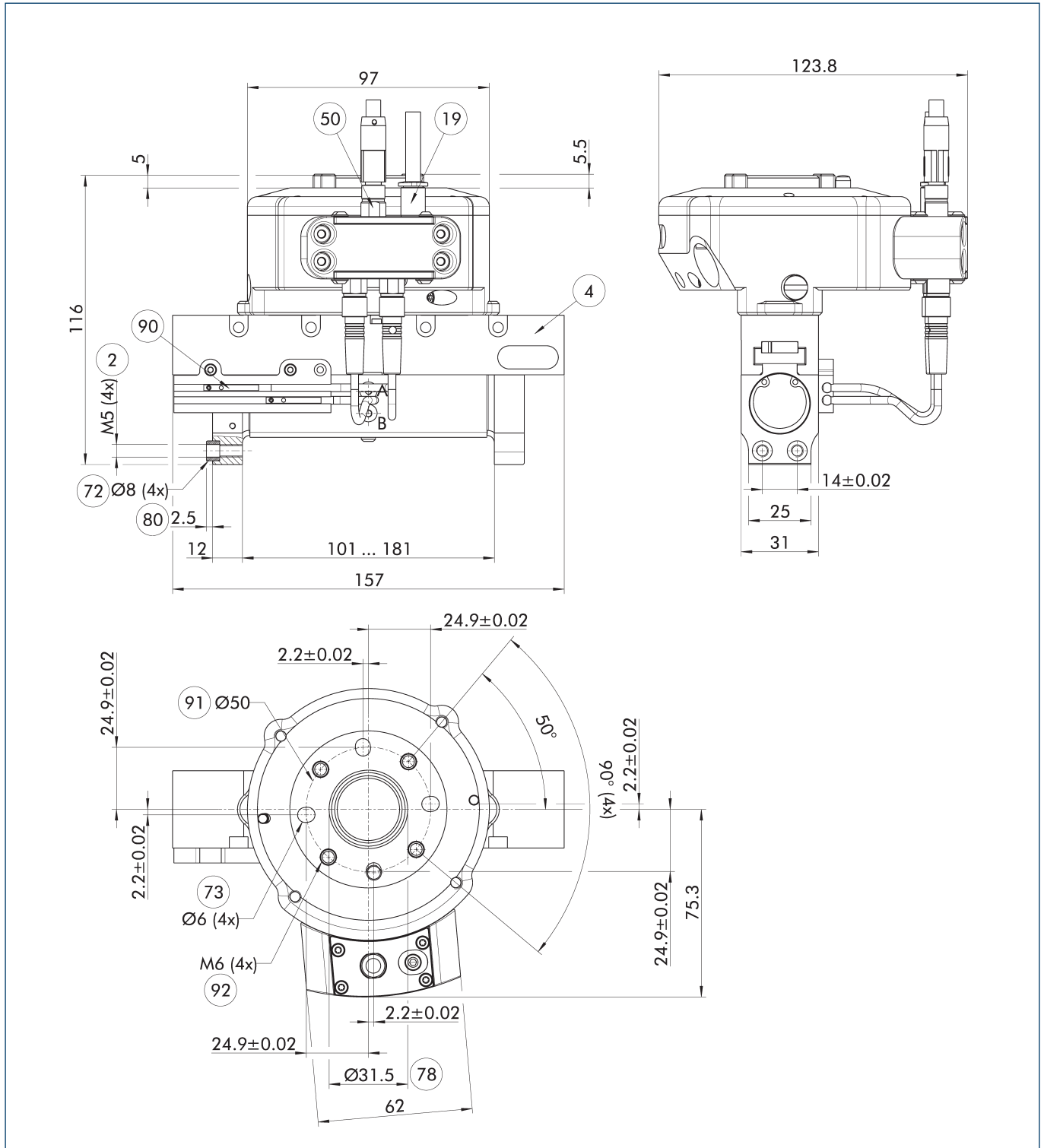
Description		EOA-UR3510-KGG 100-80	EOA-UR3510-PSH 22-1	EOA-UR3510-JGP 80-1	EOA-UR3510-JGP 100-1	EOA-UR3510-PGN-plus-P 80-1	EOA-UR3510-PGN-plus-P 100-1
ID		1327748	1327747	1348129	1348128	1327751	1327750
Function		Gripping	Gripping	Gripping	Gripping	Gripping	Gripping
Robot compatibility		UR 3/5/10/16	UR 3/5/10/16	UR 3/5/10/16	UR 3/5/10/16	UR 3/5/10/16	UR 3/5/10/16
Standard components		KGG 100-80	PSH 22-1	JGP 80-1	JGP 100-1	PGN-plus-P 80-1	PGN-plus-P 100-1
Stroke per jaw	[mm]	40	28	8	10	8	10
Max. gripping force	[N]	175	320	415	660	550	870
Weight	[kg]	1.2	1.7	1.33	1.72	1.38	1.8
Recommended workpiece weight	[kg]	0.9	1.6	2.1	3.3	2.75	4.35

① You can find more technical values in the catalog chapter for the respective standard component.

Description		EOA-UR3510-PZN-plus 64-1
ID		1327749
Function		Gripping
Robot compatibility		UR 3/5/10/16
Standard components		PZN-plus 64-1
Stroke per jaw	[mm]	6
Max. gripping force	[N]	580
Weight	[kg]	1.22
Recommended workpiece weight	[kg]	2.9

① You can find more technical values in the catalog chapter for the respective standard component.

## Main view EOA-UR3510-KGG 100-80



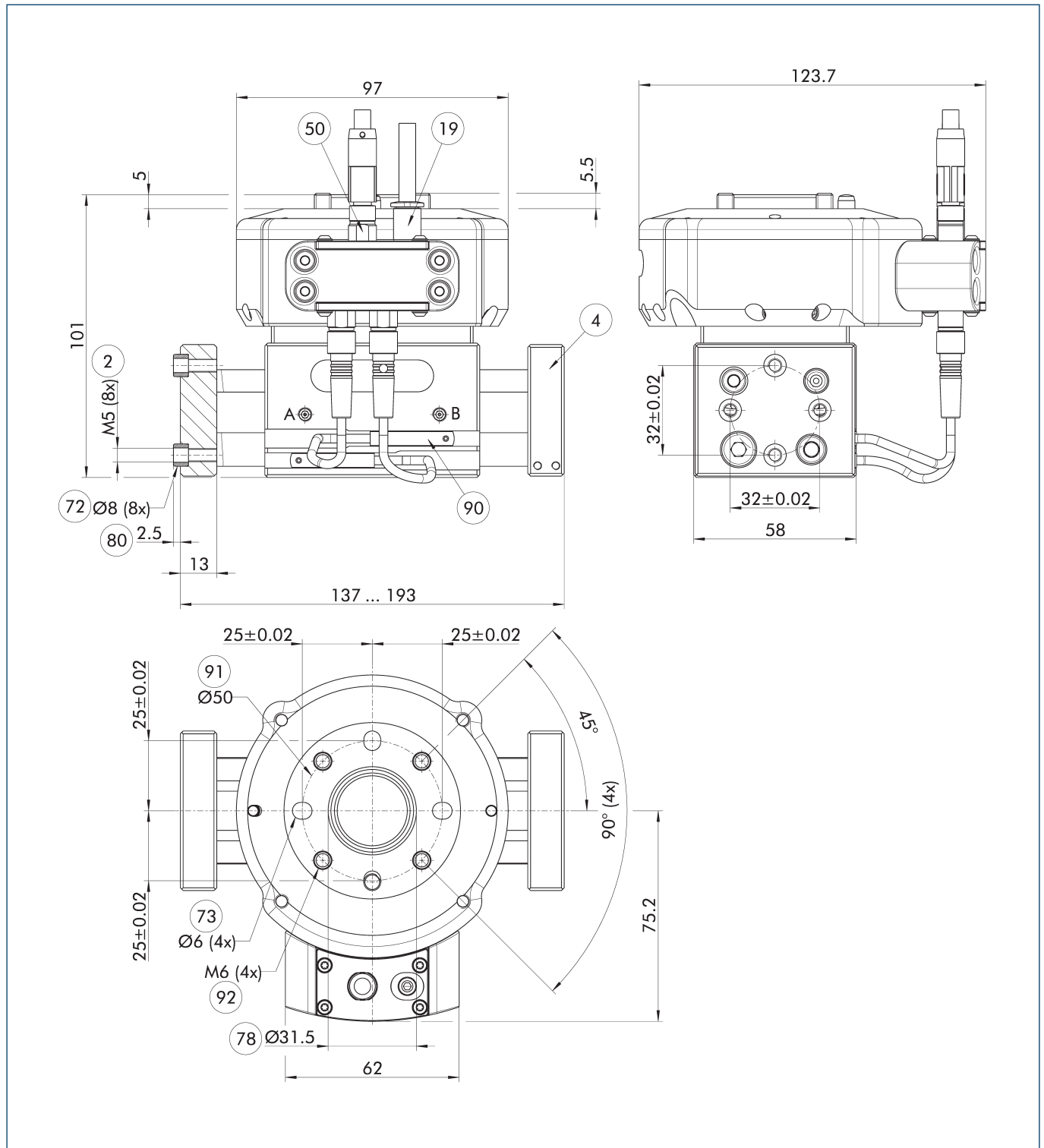
The drawing shows the basic version of the gripper without dimensional consideration of the options described below.

- |                              |   |
|------------------------------|---|
| ② Finger connection          | ⑦⑧ Fit for centering                                      |
| ④ Grippers                   | ⑧⑩ Depth of the centering sleeve hole in the counter part |
| ①⑨ Air connection            | ⑨⑩ Sensor MMS 22..  |
| ⑤⑩ Electrical connection     | ①① DIN ISO-9409 bolt circle                               |
| ⑦② Fit for centering sleeves | ⑨② Through holes for screw connections                    |
| ⑦③ Fit for centering pins    |   |

# Plug & Work Portfolio Universal Robots – Pneumatic Gripping

Plug & Work Portfolio Universal Robots

## Main view E0A-UR3510-PSH 22-1

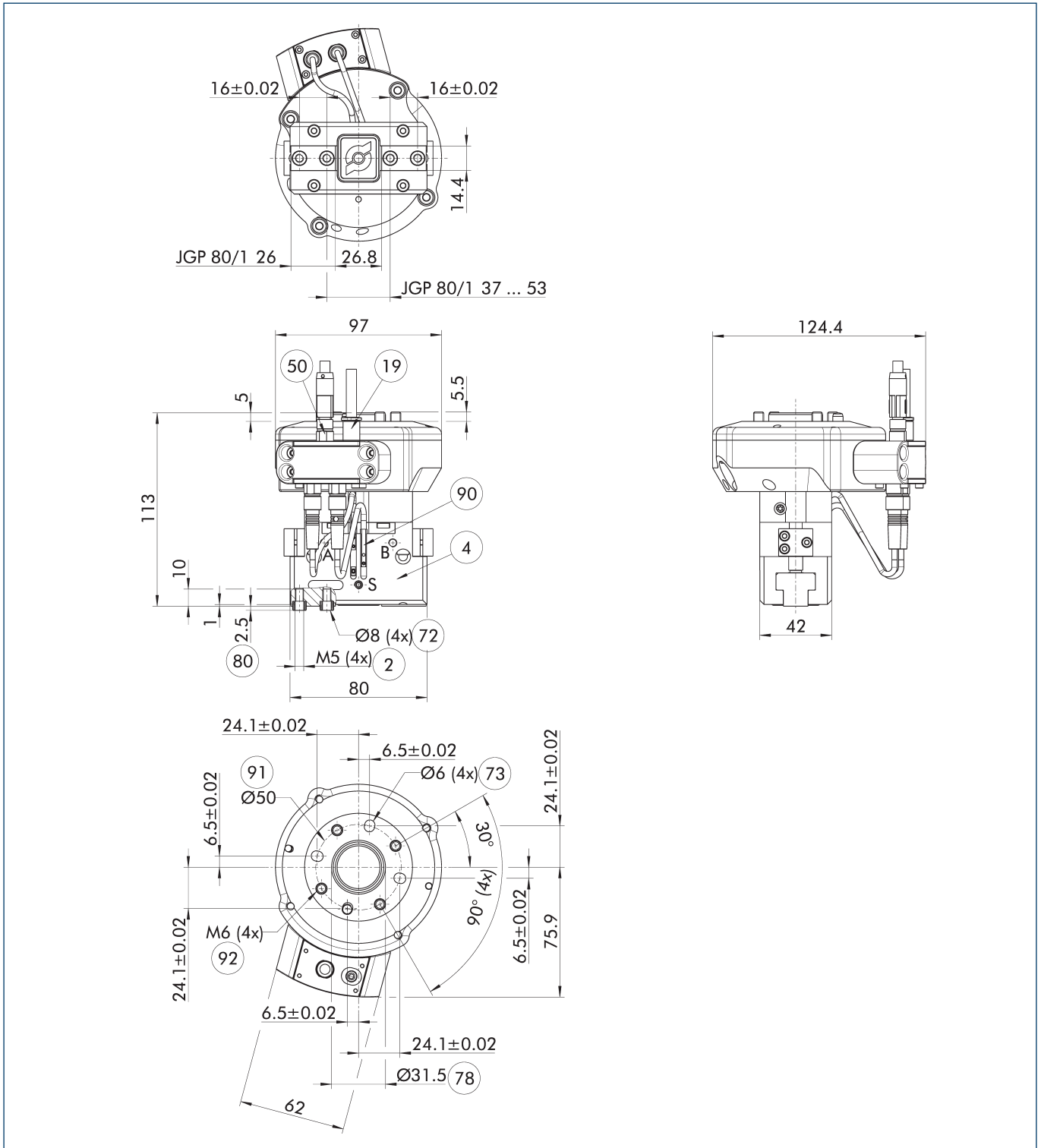


The drawing shows the basic version of the gripper without dimensional consideration of the options described below.

- |                              |   |
|------------------------------|---|
| ② Finger connection          | ⑦⑧ Fit for centering                                      |
| ④ Grippers                   | ⑧⑩ Depth of the centering sleeve hole in the counter part |
| ①⑨ Air connection            | ⑨⑩ Sensor MMS 22..  |
| ⑤⑩ Electrical connection     | ①① DIN ISO-9409 bolt circle                               |
| ⑦② Fit for centering sleeves | ⑨② Through holes for screw connections                    |
| ⑦③ Fit for centering pins    |   |



## Main view EOA-UR3510-JGP 80-1



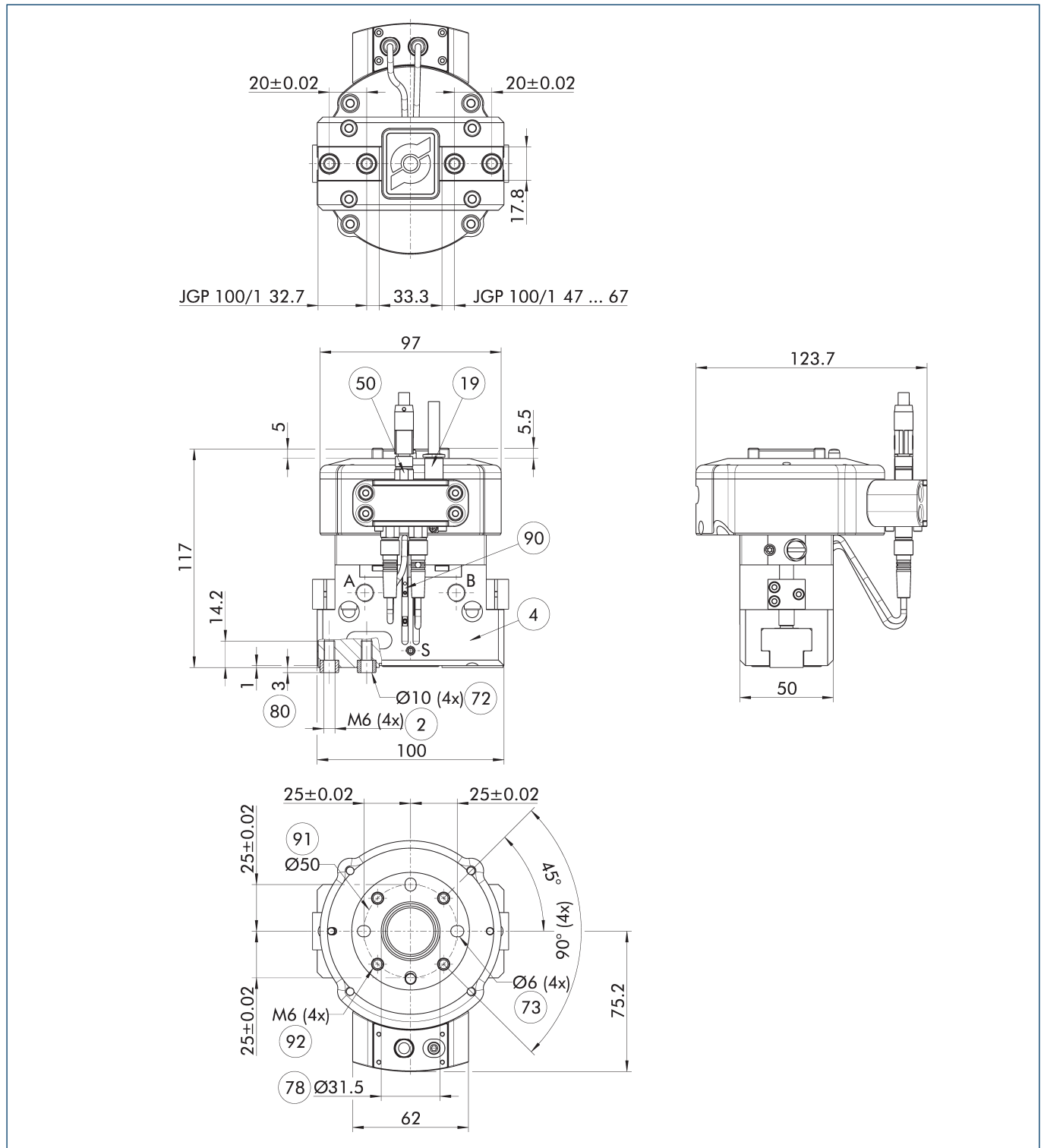
The drawing shows the basic version of the gripper without dimensional consideration of the options described below.

- |                              |   |
|------------------------------|---|
| ② Finger connection          | ⑦⑧ Fit for centering                                      |
| ④ Grippers                   | ⑧⑩ Depth of the centering sleeve hole in the counter part |
| ⑱ Air connection             | ⑨⑩ Sensor MMS 22..  |
| ⑤⑩ Electrical connection     | ⑨① DIN ISO-9409 bolt circle                               |
| ⑦② Fit for centering sleeves | ⑨② Through holes for screw connections                    |
| ⑦③ Fit for centering pins    |   |

# Plug & Work Portfolio Universal Robots – Pneumatic Gripping

Plug & Work Portfolio Universal Robots

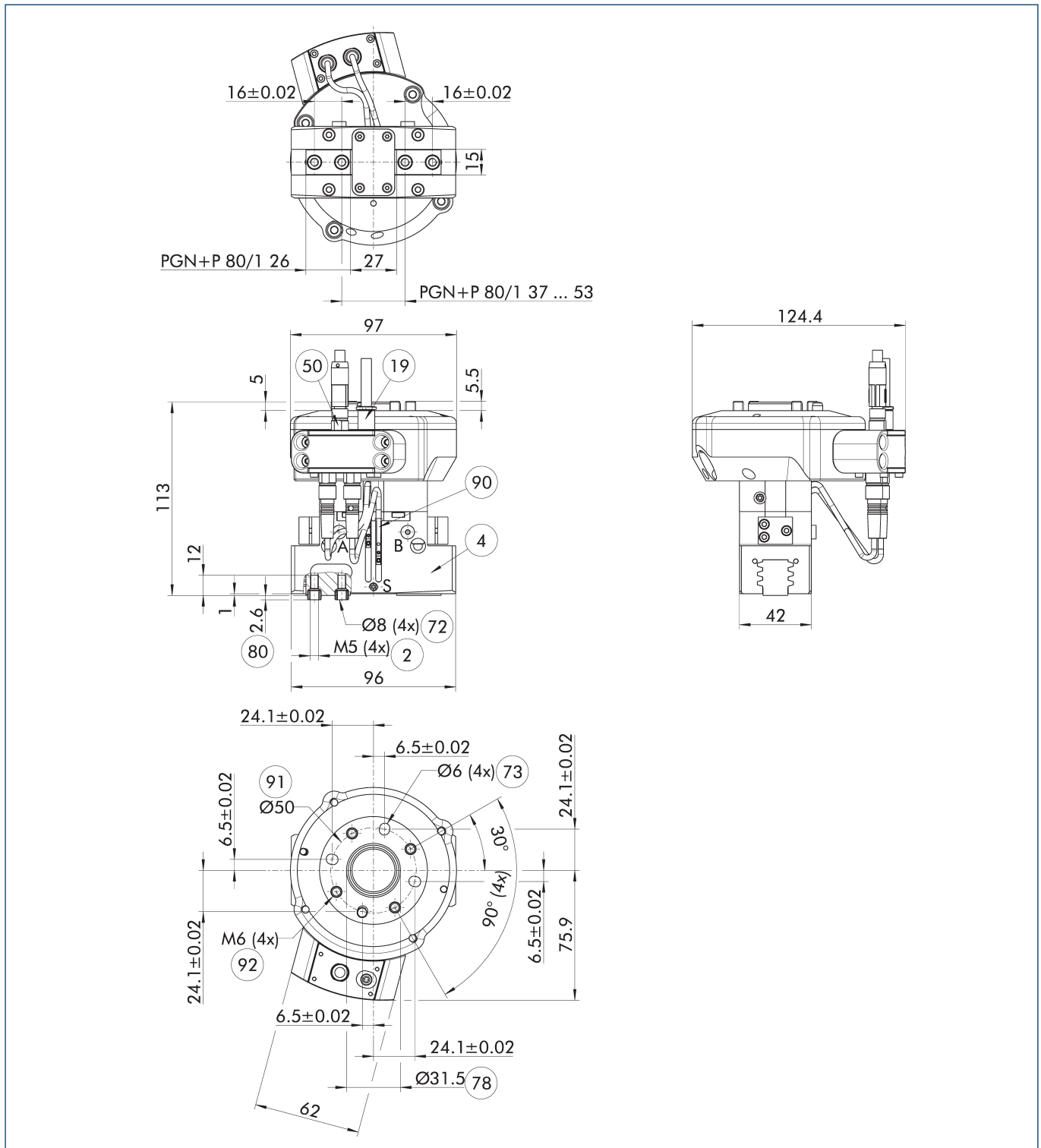
## Main view EOA-UR3510-JGP 100-1



The drawing shows the basic version of the gripper without dimensional consideration of the options described below.

- |                              |   |
|------------------------------|---|
| ② Finger connection          | ⑦⑧ Fit for centering                                      |
| ④ Grippers                   | ⑧⑩ Depth of the centering sleeve hole in the counter part |
| ⑱ Air connection             | ⑨⑩ Sensor MMS 22..  |
| ⑤⑩ Electrical connection     | ⑨① DIN ISO-9409 bolt circle                               |
| ⑦② Fit for centering sleeves | ⑨② Through holes for screw connections                    |
| ⑦③ Fit for centering pins    |   |

## Main view EOA-UR3510-PGN-plus-P 80-1



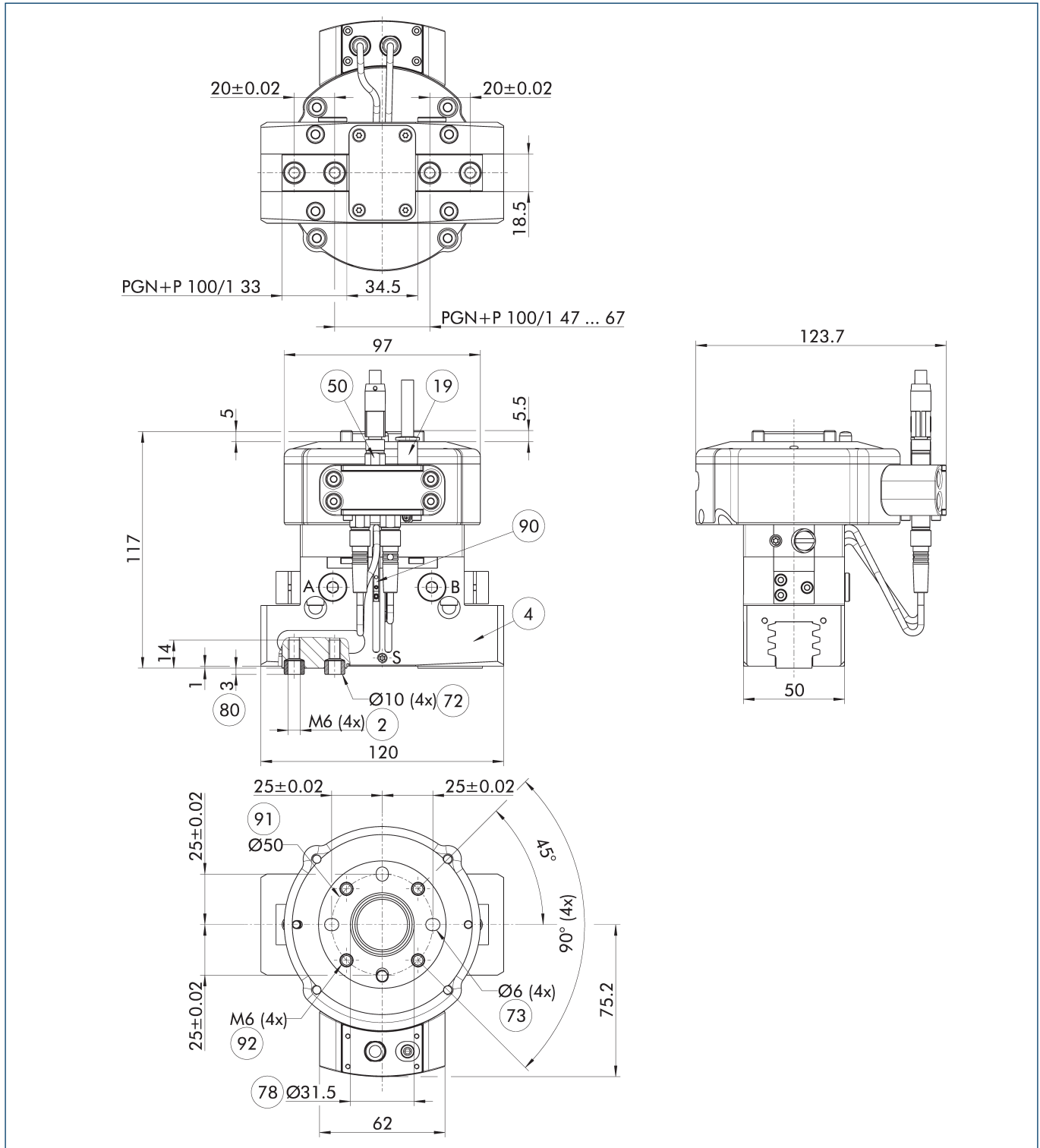
The drawing shows the basic version of the gripper without dimensional consideration of the options described below.

- |                              |   |
|------------------------------|---|
| ② Finger connection          | ⑦⑧ Fit for centering                                      |
| ④ Grippers                   | ⑧⑩ Depth of the centering sleeve hole in the counter part |
| ⑱ Air connection             | ⑨⑩ Sensor MMS 22..  |
| ⑤⑩ Electrical connection     | ⑨① DIN ISO-9409 bolt circle                               |
| ⑦② Fit for centering sleeves | ⑨② Through holes for screw connections                    |
| ⑦③ Fit for centering pins    |   |

# Plug & Work Portfolio Universal Robots – Pneumatic Gripping

Plug & Work Portfolio Universal Robots

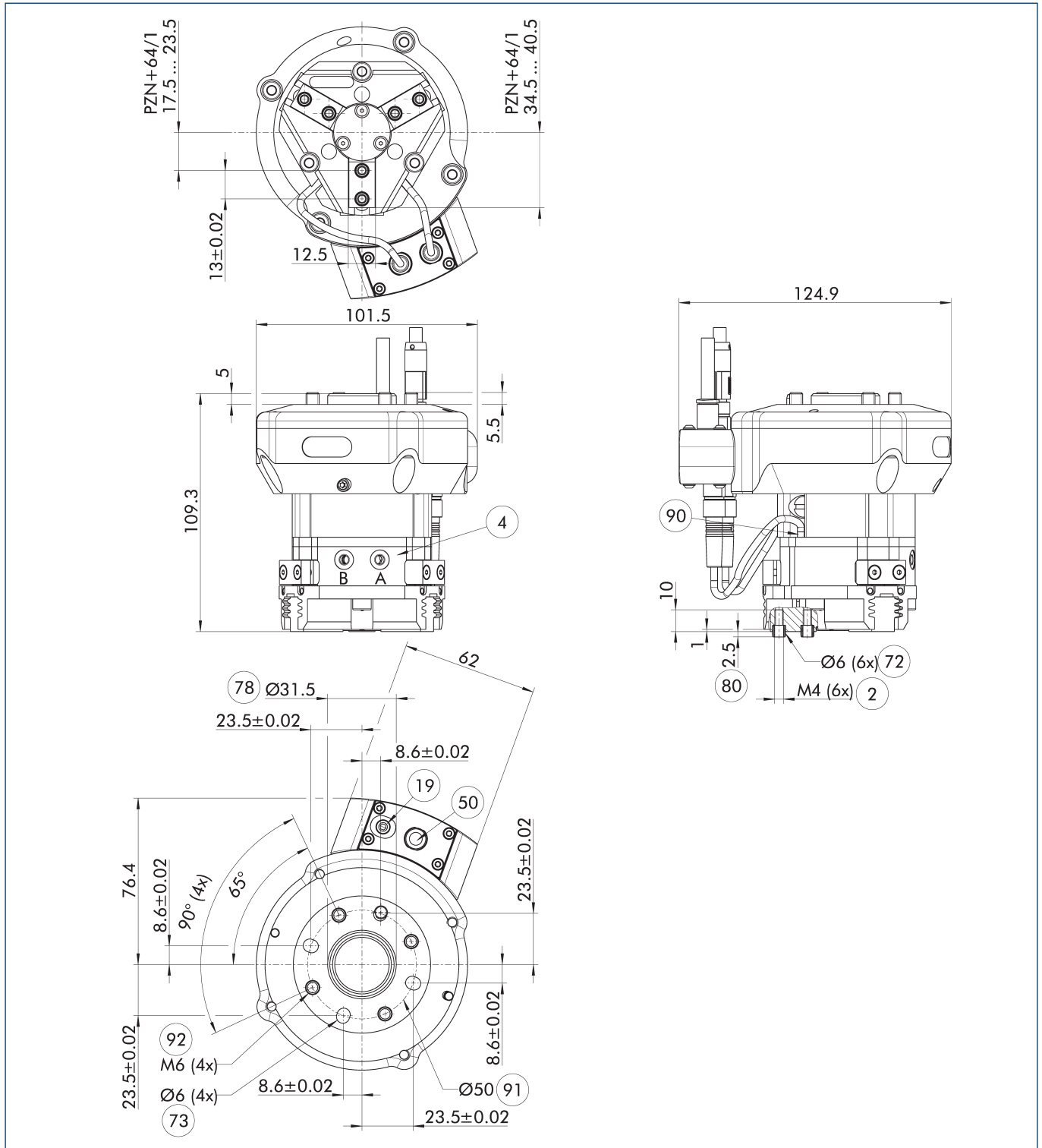
## Main view EOA-UR3510-PGN-plus-P 100-1



The drawing shows the basic version of the gripper without dimensional consideration of the options described below.

- ② Finger connection
- ④ Grippers
- ⑬ Air connection
- ⑮ Electrical connection
- ⑰ Fit for centering sleeves
- ⑲ Fit for centering pins
- ⑳ Fit for centering
- ㉑ Depth of the centering sleeve hole in the counter part
- ㉒ Sensor MMS 22..
- ㉓ DIN ISO-9409 bolt circle
- ㉔ Through holes for screw connections

## Main view EOA-UR3510-PZN-plus 64-1

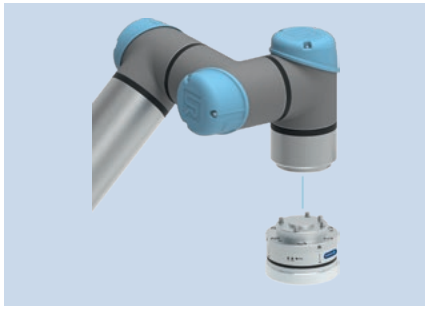


The drawing shows the basic version of the gripper without dimensional consideration of the options described below.

- |                              |   |
|------------------------------|---|
| ② Finger connection          | ⑦⑧ Fit for centering                                      |
| ④ Grippers                   | ⑧⑩ Depth of the centering sleeve hole in the counter part |
| ①⑨ Air connection            | ⑨⑩ Sensor MMS 22..  |
| ⑤⑩ Electrical connection     | ⑨① DIN ISO-9409 bolt circle                               |
| ⑦② Fit for centering sleeves | ⑨② Through holes for screw connections                    |
| ⑦③ Fit for centering pins    |   |

# Plug & Work Portfolio Universal Robots – Sensing

Plug & Work Portfolio Universal Robots

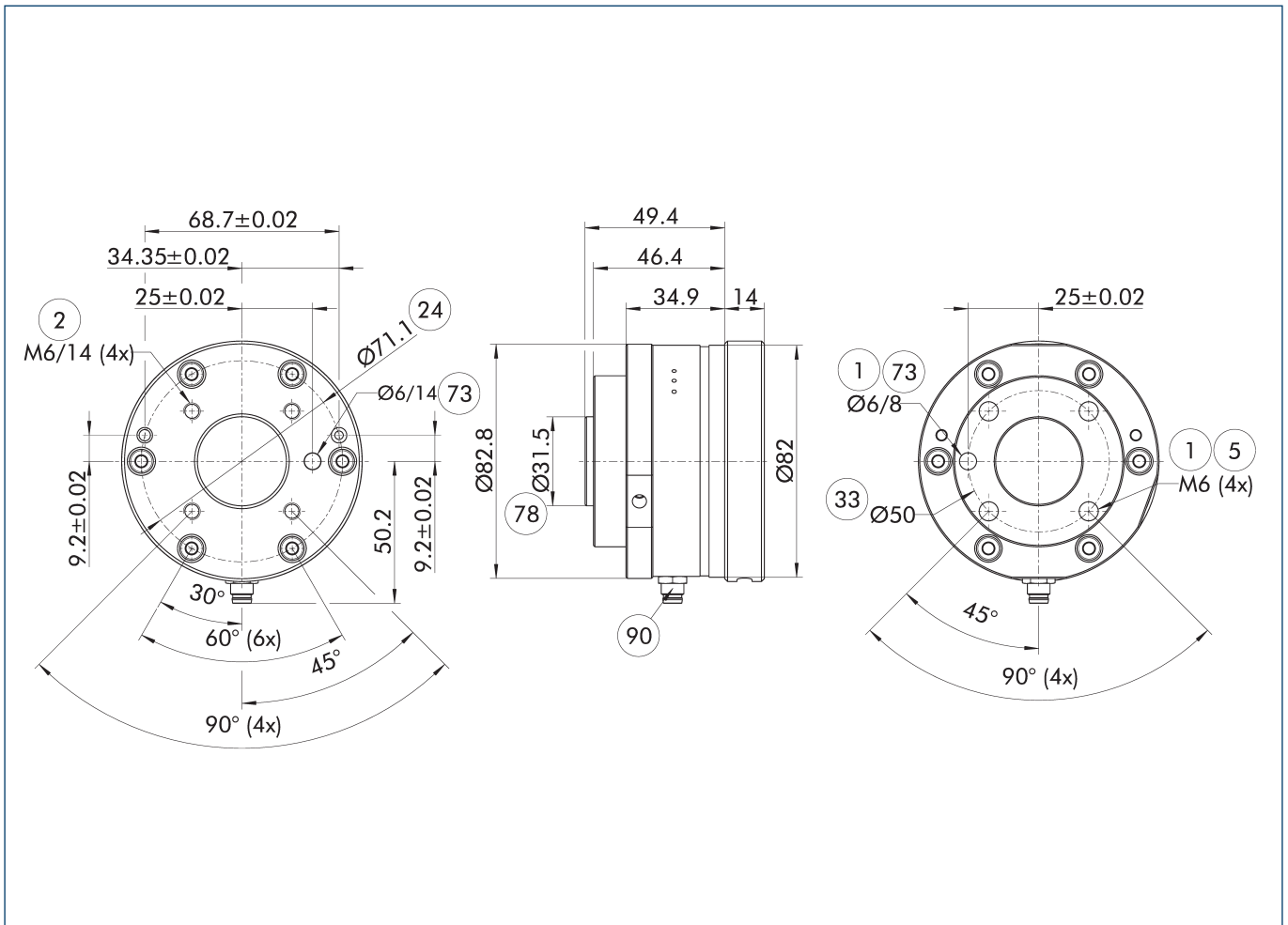


## Technical data

Description		EOA-UR3510-FTN-AXIA 80
ID		1357169
Function		Measuring
Robot compatibility		UR 3/5/10/16
Standard components		FT-AXIA 80
Weight	[kg]	0.51
Min. measuring range Fx, Fy	[N]	200
Max. range of measurement Fx, Fy	[N]	500
Min. measuring range Fz	[N]	360
Max. range of measurement Fz	[N]	900
Min. moment measuring range	[Nm]	8
Max. moment measuring range	[Nm]	20

① You can find more technical values in the catalog chapter for the respective standard component.

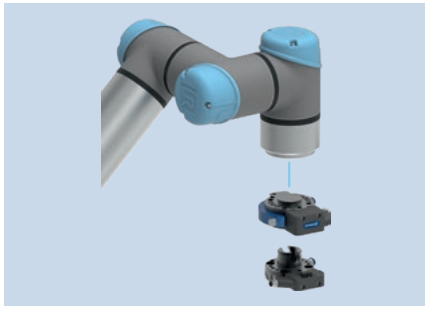
## Main view EOA-UR3510-FTN-AXIA 80



- |   |                             |
|---|-----------------------------|
| ① Robot-side connection                   | ③③ DIN ISO-9409 bolt circle |
| ② Tool-side connection                    | ⑦③ Fit for centering pins   |
| ⑤ Through hole for connection with screws | ⑦⑧ Fit for centering        |
| ②④ Bolt circle                            | ⑨⑩ Electrical connection    |

# Plug & Work Portfolio Universal Robots – Changing

Plug & Work Portfolio Universal Robots



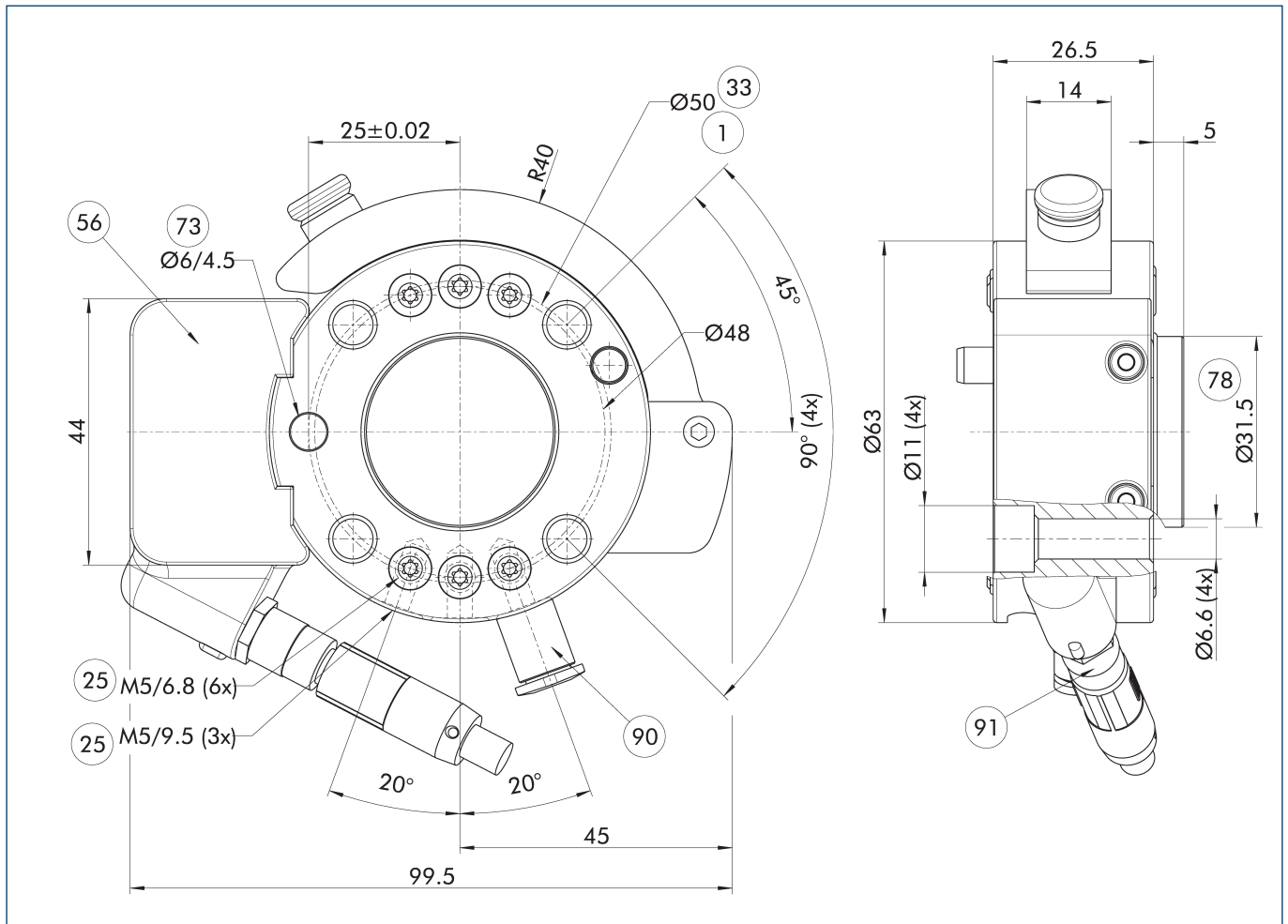
## Technical data

Description		EOA-UR3510-SHK-050-E08-000	EOA-UR3510-SHA-050-E08-000
ID		1334788	1334789
Function		Changing	Changing
Robot compatibility		UR 3/5/10/16	UR 3/5/10/16
Standard components		SHS 50	SHS 50
Weight	[kg]	0.35	0.14
Recommended workpiece weight	[kg]	11	11
Max. dynamic bending moment Mx/ My	[Nm]	75	75
Max. dynamic bending moment Mz	[Nm]	135	135

① You can find more technical values in the catalog chapter for the respective standard component.



## Main view EOA-UR3510-SHK-050



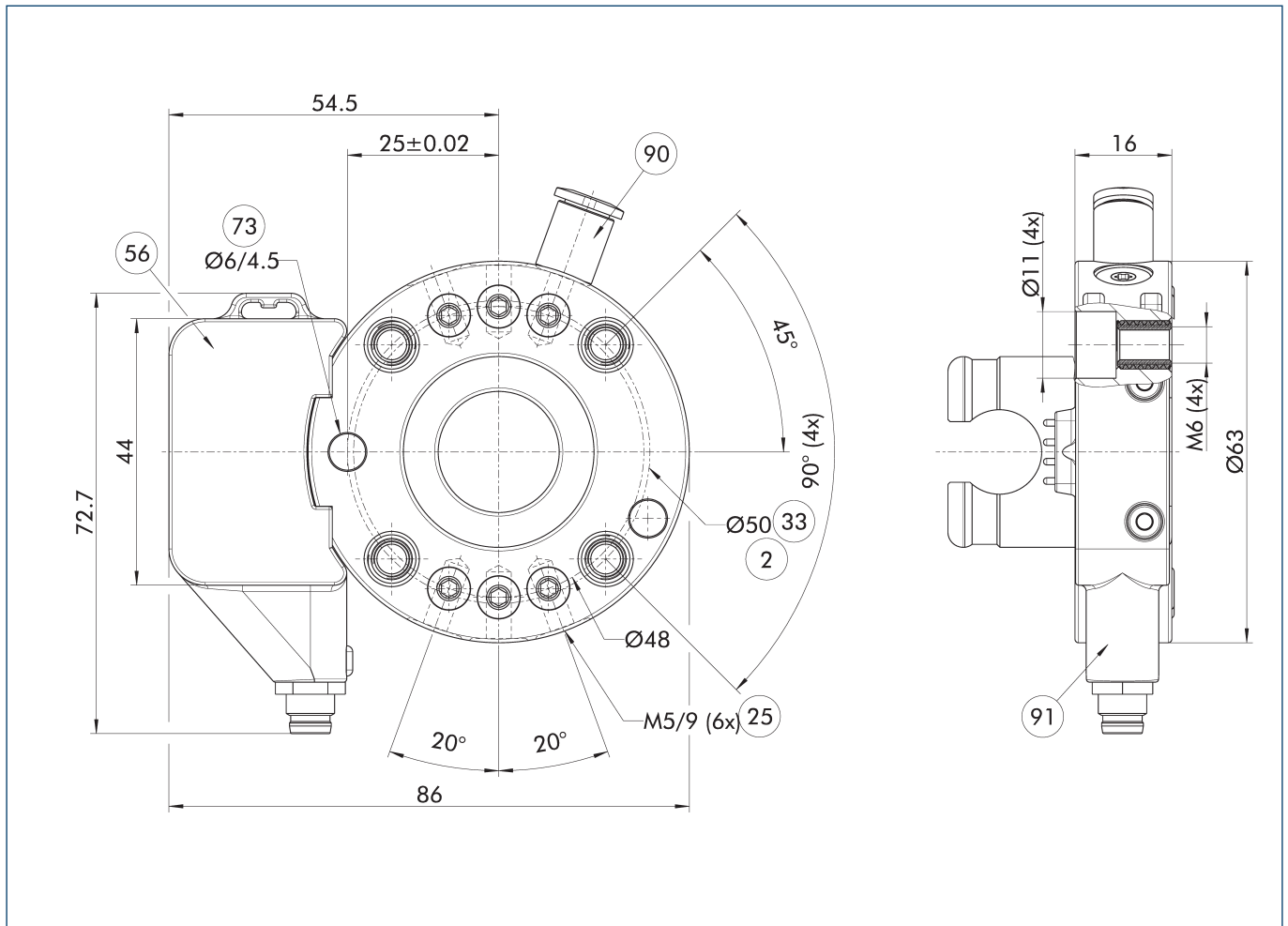
- ① Robot-side connection
- ②⑤ Pneumatic feed-throughs
- ③③ DIN ISO-9409 bolt circle
- ⑤⑥ Included in the scope of delivery

- ⑦③ Fit for centering pins
- ⑦⑧ Fit for centering
- ⑨⑩ Air connection
- ⑨① Electrical connection

# Plug & Work Portfolio Universal Robots – Changing

Plug & Work Portfolio Universal Robots

## Main view EOA-UR3510-SHA-050



- |                                      |                           |
|--------------------------------------|---------------------------|
| ② Tool-side connection               | ⑦③ Fit for centering pins |
| ②⑤ Pneumatic feed-throughs           | ⑨① Air connection         |
| ③③ DIN ISO-9409 bolt circle          | ⑨① Electrical connection  |
| ⑤⑥ Included in the scope of delivery |                           |





**SCHUNK GmbH & Co. KG**  
**Spann- und Greiftechnik**

Bahnhofstr. 106 - 134  
D-74348 Lauffen/Neckar  
Tel. +49-7133-103-0  
Fax +49-7133-103-2399  
info@de.schunk.com  
schunk.com

Folgen Sie uns | *Follow us*

