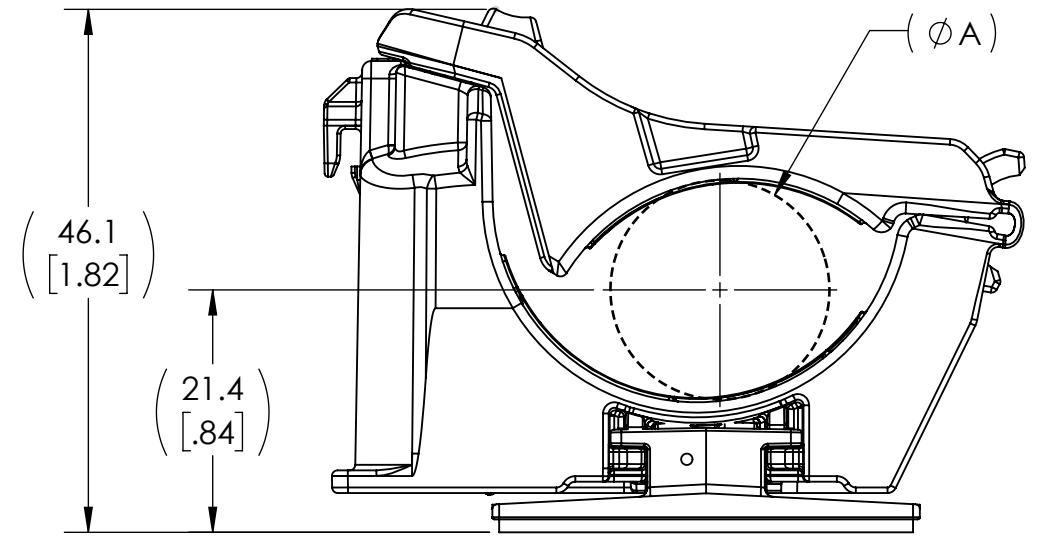
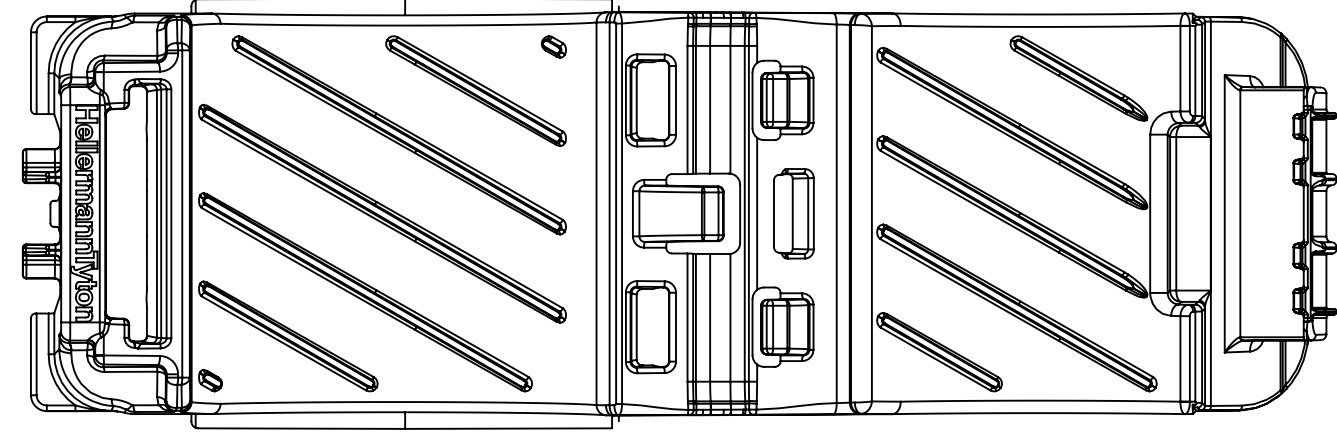
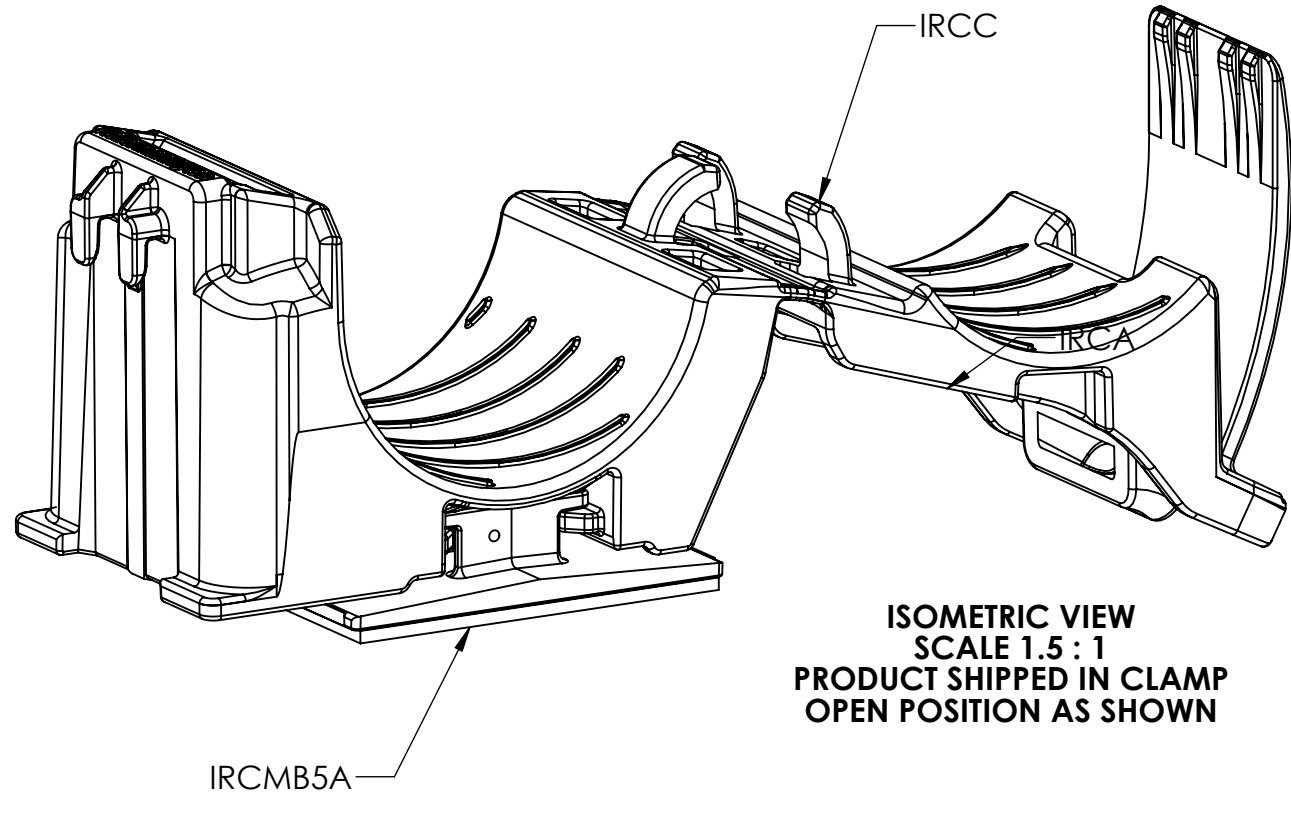
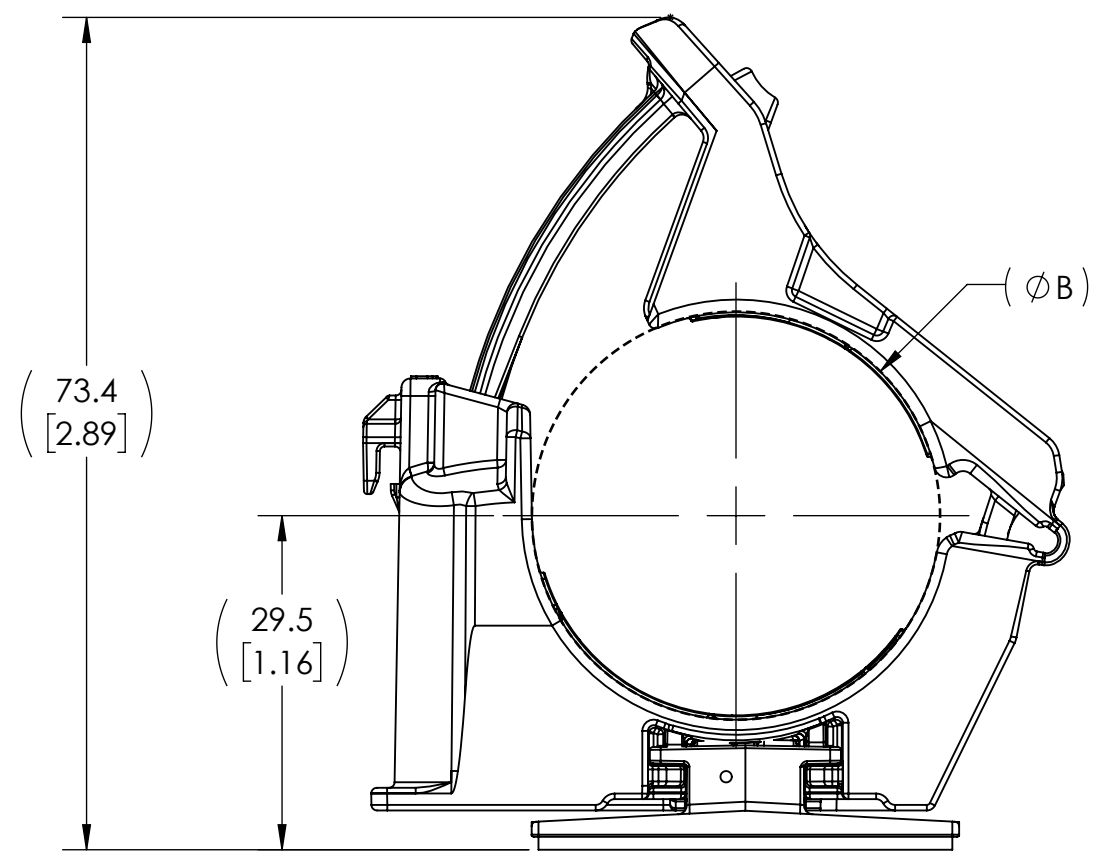
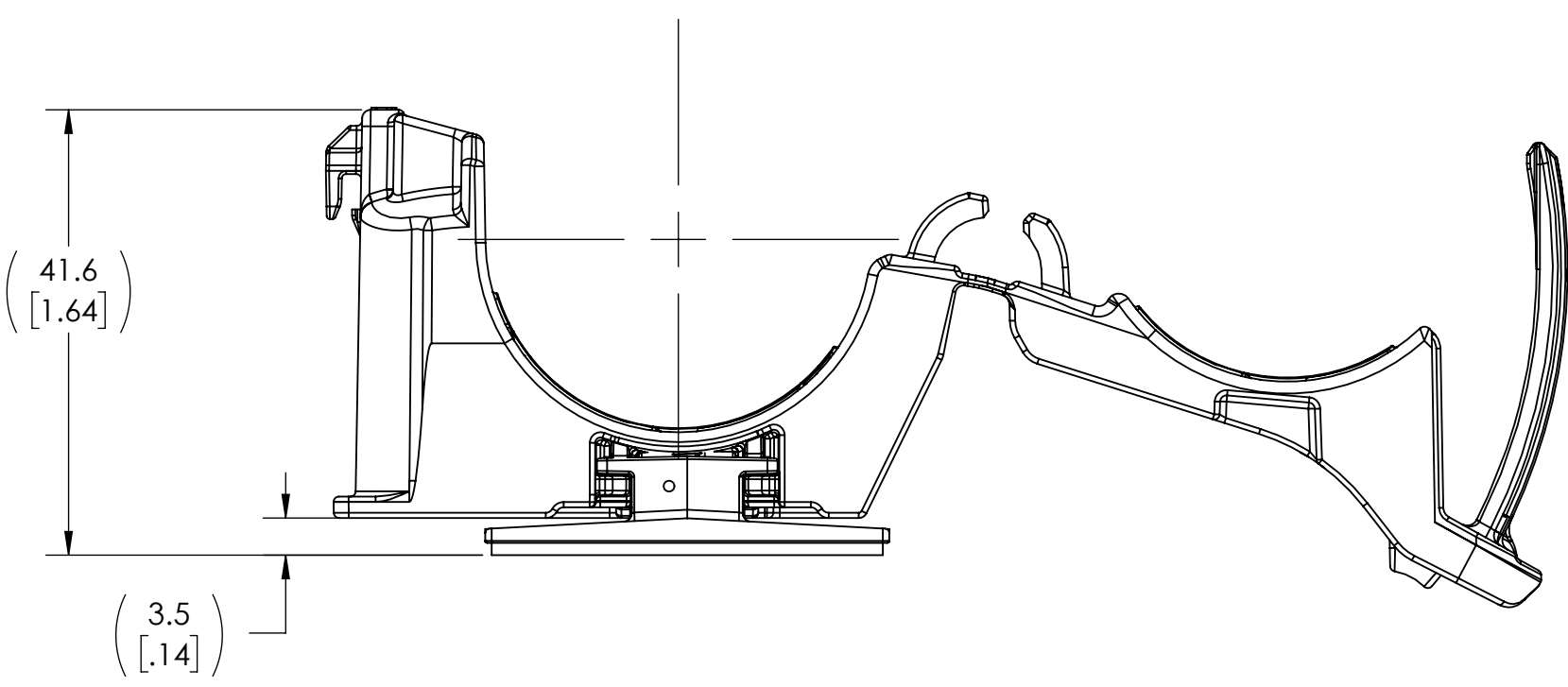
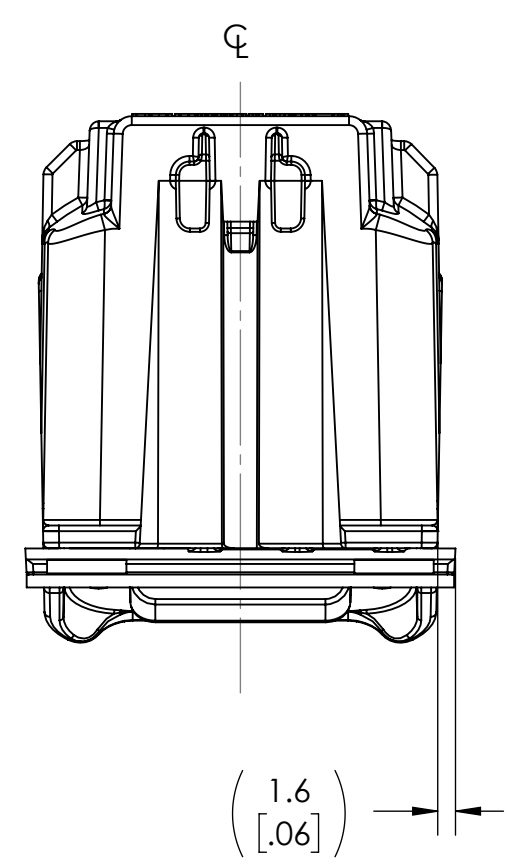


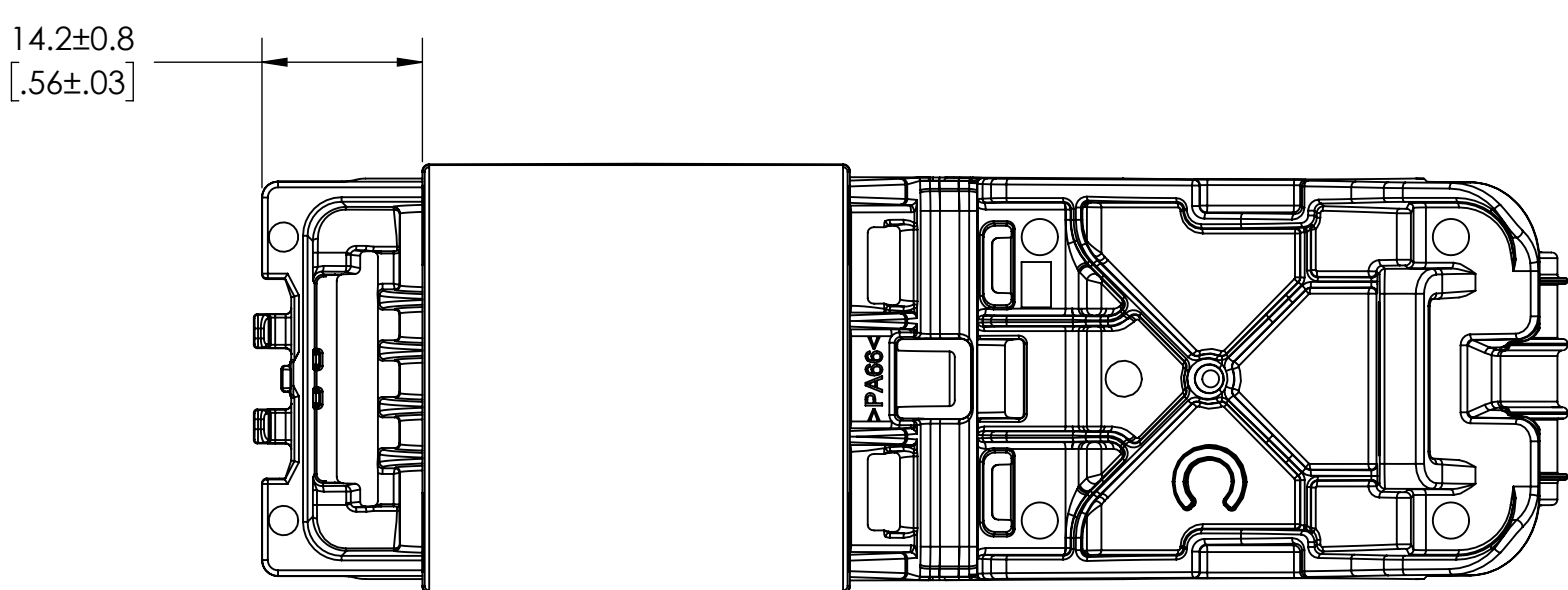
Revision level			Revision Record	Changed	Date	Approved	Date
Drawing	State	Part					
01.1	Design Release		SEE ECN# 015255	MHT	07/01/2019	CTF	07/01/2019



MINIMUM BUNDLE DIAMETER



MAXIMUM BUNDLE DIAMETER



REFERENCE:
URAD5PX5011E ACRYLIC FOAM TAPE

GLOBAL PART DESCRIPTION	BUNDLE TYPES	(A) MINIMUM DIAMETER	(B) MAXIMUM DIAMETER	IRCC CLAMP			IRCCMB5A CONNECTOR CLIP		
				DRAWING	MATERIAL	COLOR	DRAWING	MATERIAL	COLOR
IRCCMB5A-PA66HIRHSUV-BK	SOFT	19.4 [.76]	36.0 [1.42]	16-1641-003-CSU	PA66HIRHSUV	BLACK	16-1645-023-CSU	PA66HIRHSUV	BLACK
	HARD	18.6 [.73]	35.2 [1.39]						

Notes	Material	SEE CHART	Units: millimeters	The copyright of this drawing is reserved by HellermannTyton. It is issued on condition that it is not reproduced, copied, or disclosed to a third party, either wholly or in part, without the consent of HellermannTyton.	Drawn	MHT	06/24/2019	Article/Type-No	IRCCMB5A	Scale	3:2	
			Dimension without tolerances details to:		Approved	CTF	06/24/2019	Title	INLINE RATCHET P-CLAMP C WITH 38x38mm ADHESIVE MOUNT	Project Number	PRP19-0333	
			.xxx = ±.013		HellermannTyton North America Email: corp@htamericas.com Web: www.hellermann.tyton.com		Drawing-No	19-0333-103-CSU	Production : Phase		Format	C
			.xx = ±.13				Sheet	1/1				