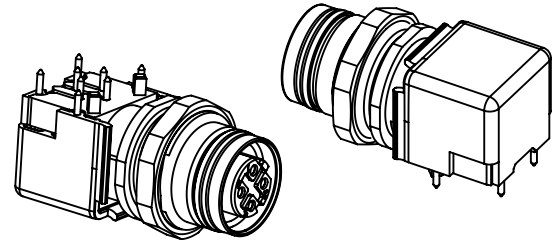
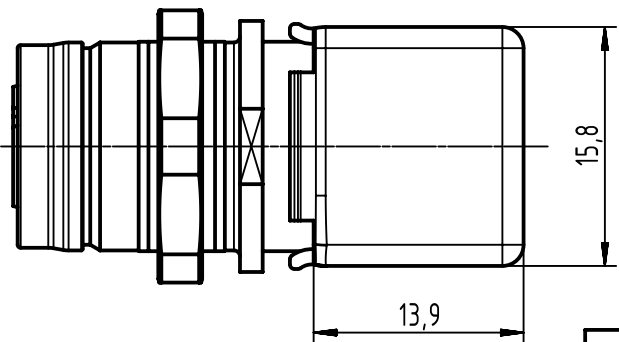



1 recommended PCB-thickness: 1.6mm



	All rights reserved Department EL PD	Created by 104122	Inspected by WELLMANN	Standardisation HOFFMANN	Date 2019-10-02	State Final Release	Ref. Sub.
	HARTING Electronics GmbH D-32339 Espelkamp	Title HARTING M12 PCB female D-coded angled IP20			Doc-Key / ECM-Nr. 100665626/UGD/001/F 500000157279		Rev. F
		Type TB	Number 21033814434				