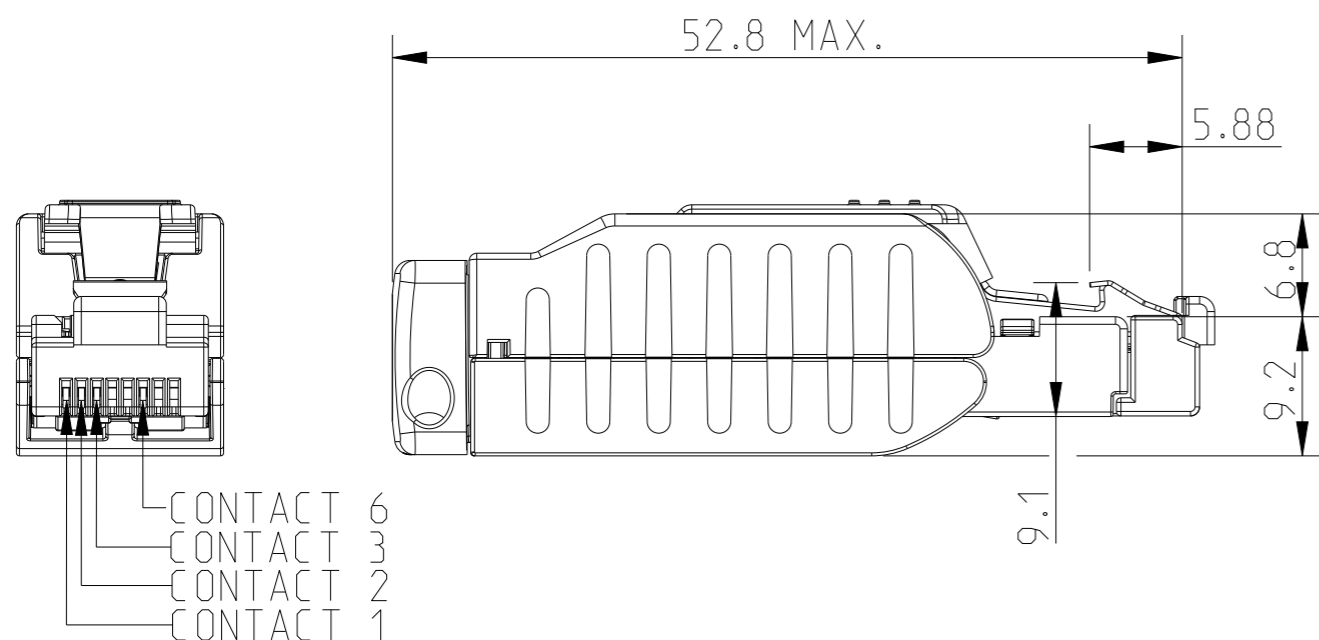
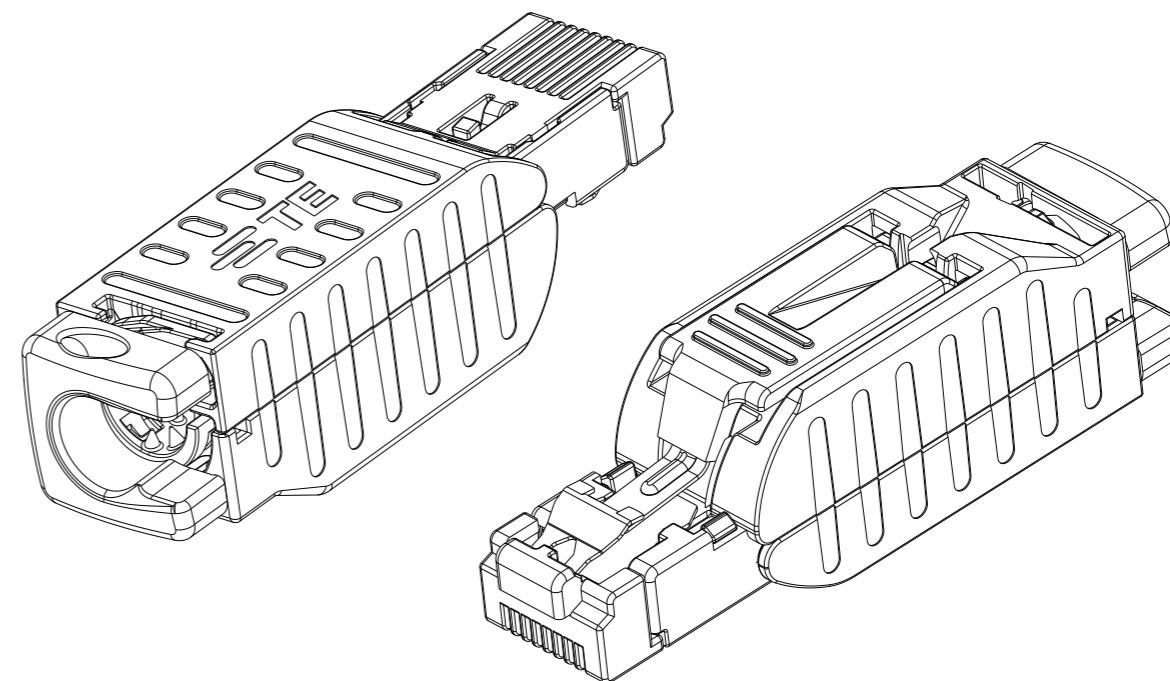
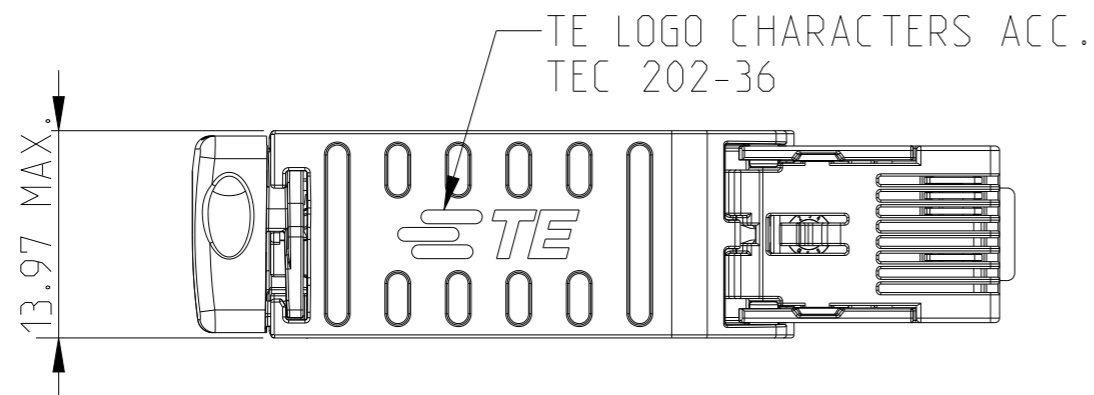


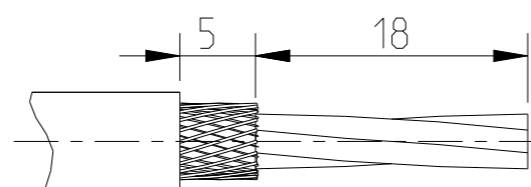
P	LTR	DESCRIPTION	DATE	DWN	APVD
	A1	RELEASE TO PRODUCTION	22SEP2022	SS	JDB
	A2	DIMENSIONAL TOLERANCES REMOVED	28SEP2022	SS	JDB
	A3	NOTE 3 ADDED (PROP 65 WARNING)	07FEB2023	SS	JDB



COLOR ALLOCATION OF TERMINAL WIRE TO RJ45 CONTACT:

CONTACT NO.	WIRE COLOR
1	YELLOW
2	ORANGE
3	WHITE
6	BLUE

RECOMMENDED STRIPPING LENGTH



50	10	1	CONNECTOR PACKED WITH INSTRUCTION SHEET
-3	-2	-1	DESCRIPTION
QTY REQD PER ASSY			PART LIST

1 MATES WITH RJ45 SOCKET ACC. TO IEC 60603-7:2008

2 VISUAL INSPECTION, OF THE DIE CAST PARTS, ACCORDING TO TE-SPEC. 101-85241

3 PROP 65 WARNING LABEL: SEE SHEET 2

THIS DRAWING IS A CONTROLLED DOCUMENT.

DIMENSIONS:  
mm



MATERIAL  
GD-Zn

TOLERANCES UNLESS OTHERWISE SPECIFIED:

0 PLC	±	
1 PLC	±	0.3
2 PLC	±	
3 PLC	±	
4 PLC	±	
ANGLES		±3°
FINISH		Ni

DWN S SHARMA 15SEP2021

CHK N TAMMINEN 15SEP2021

APVD J DE BRUIJN 15SEP2021

PRODUCT SPEC

108-94864

APPLICATION SPEC

114-94765

WEIGHT

CUSTOMER DRAWING

**TE** TE Connectivity

NAME RJ45 FIELD INSTALLABLE CABLE CONN.

SIZE CAGE CODE DRAWING NO RESTRICTED TO

A3 00779 C-2383216


SCALE 2:1 SHEET 1 OF 2 REV A3

REVISIONS					
P	LTR	DESCRIPTION	DATE	DWN	APVD
	-	SEE SHEET 1	-	-	-

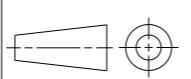
NOTES: CONTINUATION FROM SHEET 1:

3 PROP 65 WARNING LABEL:

- THE WARNING LABEL ON THE PRODUCT OR LOWEST LEVEL PACKAGING.
- CHEMICAL NAME: ANTIMONY TRIOXIDE



**WARNING:** This product can expose you to chemicals including ANTIMONY TRIOXIDE which is known to the state of California to cause cancer. For more information, visit [www.P65Warnings.ca.gov](http://www.P65Warnings.ca.gov).

THIS DRAWING IS A CONTROLLED DOCUMENT.		DWN S SHARMA 15SEP2021	<b>TE</b> TE Connectivity		
DIMENSIONS: mm		CHK N TAMMINEN 15SEP2021			
TOLERANCES UNLESS OTHERWISE SPECIFIED:		APVD J DE BRUIJN 15SEP2021	NAME RJ45 FIELD INSTALLABLE CABLE CONN.		
		PRODUCT SPEC 108-94864	RESTRICTED TO		
		APPLICATION SPEC 114-94765	SIZE A3	CAGE CODE 00779	DRAWING NO C-2383216
MATERIAL GD-Zn	FINISH Ni	WEIGHT -	SCALE 2:1 SHEET 2 OF 2 REV A3		
		CUSTOMER DRAWING			