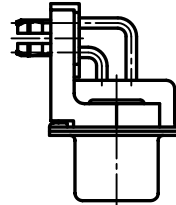
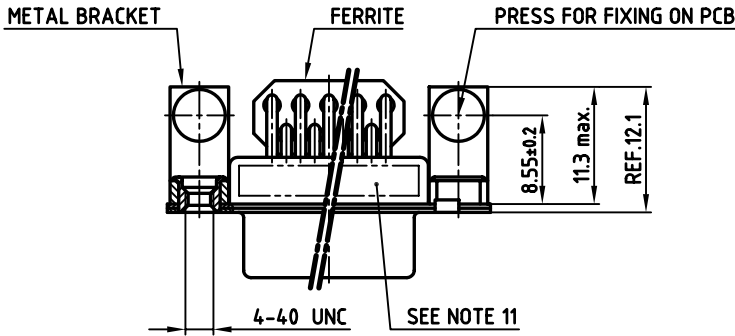
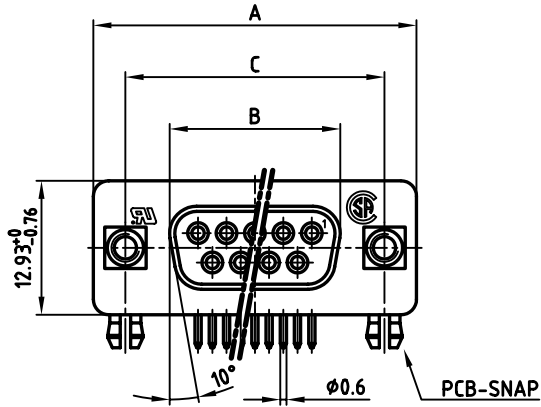
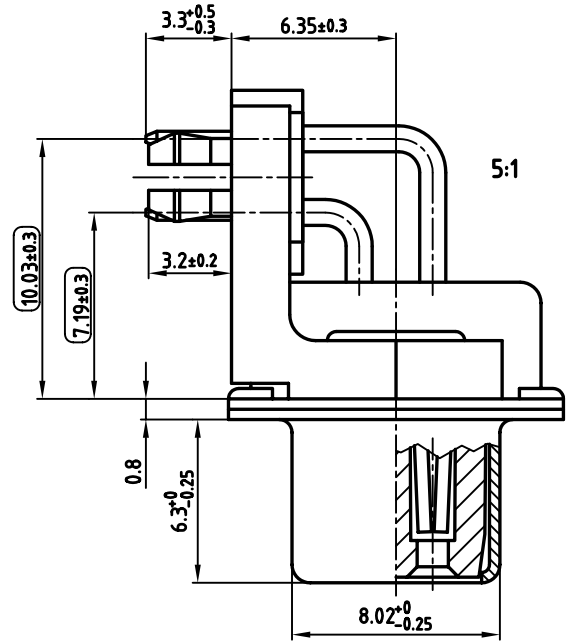


used for: D-SUB FILTER

POS.	A -0.76	B -0.25	C	PART-NO.
9	31.19	16.46	25.00 ^{+0.12} _{-0.13}	242A24900X
15	39.52	24.79	33.30 ^{+0.15} _{-0.1}	242A24910X
25	53.42	38.50	47.04 ^{±0.13}	242A24920X
37	69.70	54.96	63.50 ^{±0.13}	242A24930X



NOTES:

- METALSHELLS: STEEL; min. 320µ" TIN
- INSULATORS: HIGH TEMPERATURE PLASTIC UL 94 V-0, BLACK
- CONTACTS: COPPER ALLOY
PLATING: 8µ" HARD GOLD OVER min. 50µ" NICKEL
- METAL BRACKET: DIE-CASTING; min. 320µ" TIN over 80µ" NICKEL
- THREADED INSERT: COPPER ALLOY; min. 200µ" TIN over 80µ" NICKEL
- PCB-SNAP: COPPER ALLOY; min. 200µ" TIN over 80µ" NICKEL
PCB-HOLE: $\phi 3.1 \pm 0.1$; PCB THICKNESS 1.6mm
- P.C.B. HOLE DRILLINGS ON SHEET 2
- CAPACITANCE: 830pF $\pm 20\%$
- DIELECTRIC WITHSTANDING VOLTAGE: 424 VDC
- MAXIMUM TORQUE VALUE FOR THREAD: 6" LBS
- CONNECTOR IS PART MARKED: PART-NO. CONEC ABC
- = CHECK DIMENSION

Directive 2002/95/EC
"RoHS"
Compliant

APPROVAL # FREIGABE # DEBLOCAGE # AUTORIZACION # APPROVAL	
CUSTOMER APPROVAL DATE:	
NAME:	TITLE:
COMPANY NAME:	
APPROVAL # FREIGABE # DEBLOCAGE # AUTORIZACION # APPROVAL	

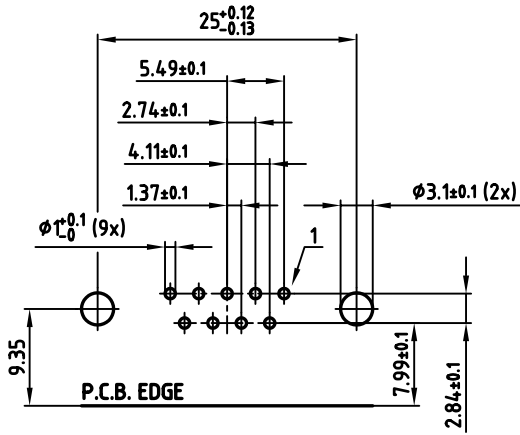
THIS DRAWING MAY NOT BE COPIED OR REPRODUCED IN ANY WAY, AND MAY NOT BE PASSED ON TO A THIRD PARTY, WITHOUT WRITTEN PERMISSION. OWNERSHIP AND COPYRIGHT OF CONEC GmbH. DO NOT ALTER CAD DRAWING BY HAND

rev.	description	date	name
a	Origin		

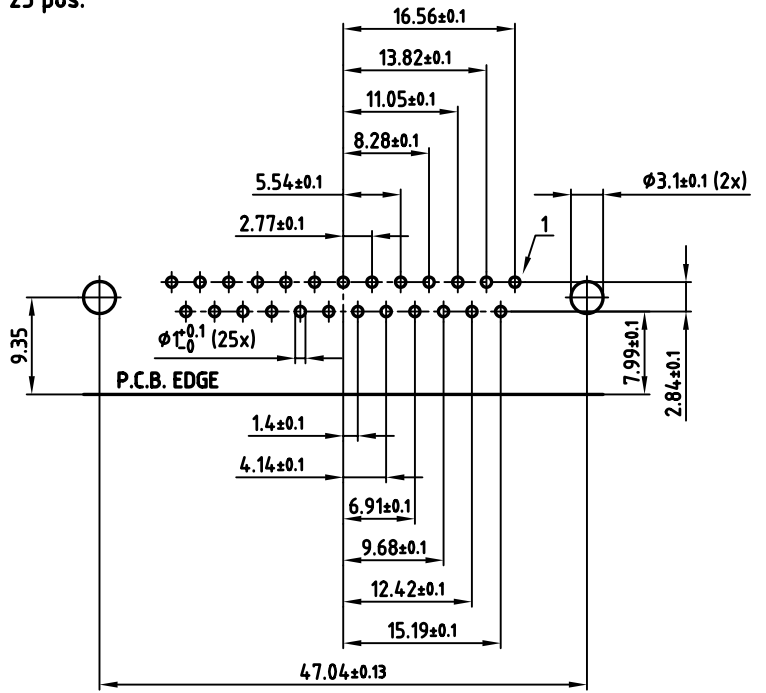
tolerance			dim. in mm
2006	date		
drawn	14.02.	name	
appd.	14.02.	Mickenbecker	
norm	DIN 41652		
d-old			
CONEC			

scale:	2:1 (5:1)	
material:	SEE NOTES	
title:	D-SUB FILTER FEMALE 90°	
	9-37pos. 0.318inch	
	threaded insert, metal bracket, clip, ferrite	
dwg no:	AutoCAD 2004	DIN-A
	24K1A765	3
		sh:1/2
part no:	SEE TABLE	

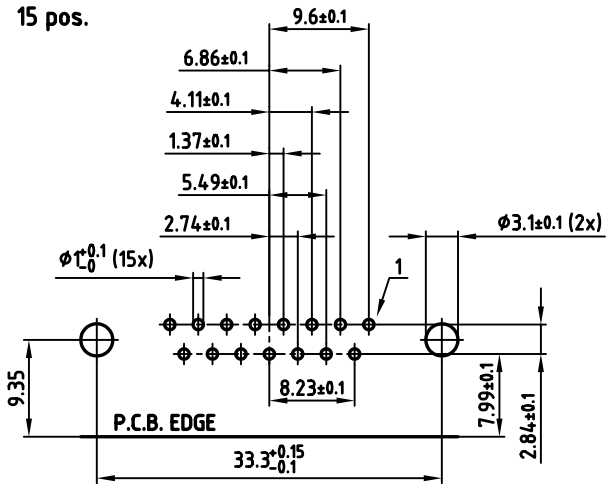
9 pos.



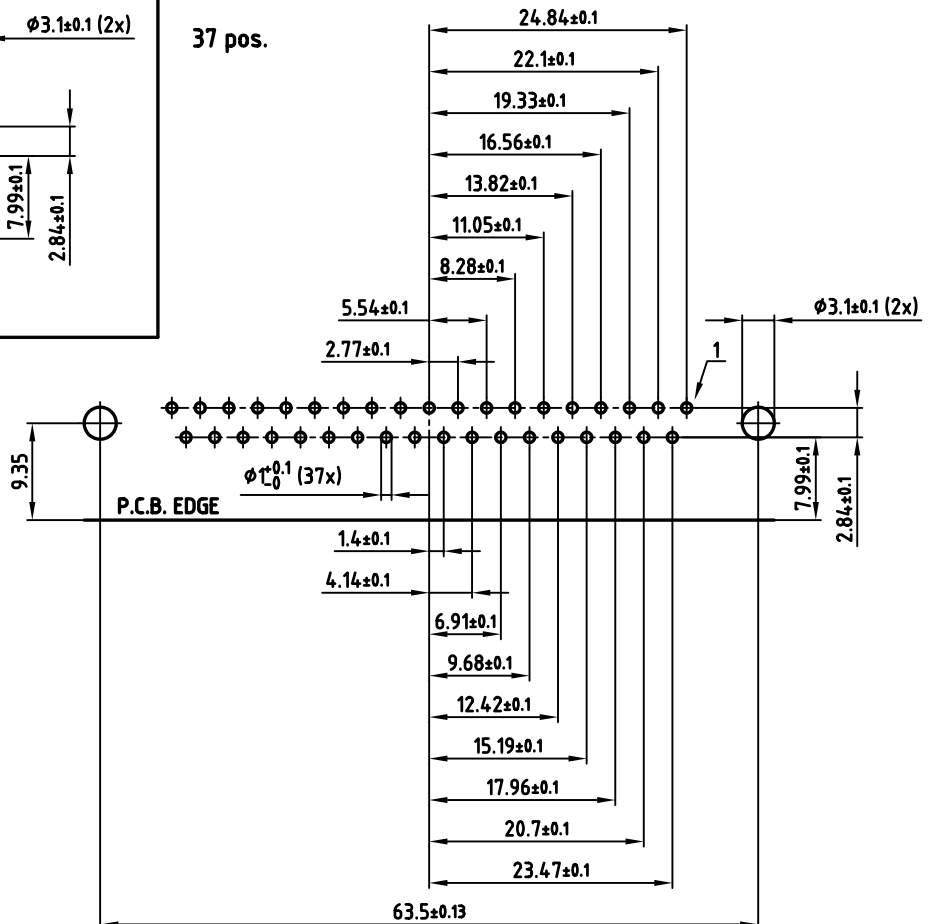
25 pos.



15 pos.



37 pos.



used for: D-SUB FILTER

APPROVAL # FREIGABE # DEBLOCAGE # AUTORIZACION # APPROVAL	
CUSTOMER APPROVAL DATE:	
NAME:	TITLE:
COMPANY NAME:	
APPROVAL # FREIGABE # DEBLOCAGE # AUTORIZACION # APPROVAL	

THIS DRAWING MAY NOT BE COPIED OR REPRODUCED IN ANY WAY, AND MAY NOT BE PASSED ON TO A THIRD PARTY, WITHOUT WRITTEN PERMISSION. OWNERSHIP AND COPYRIGHT OF CONEC GmbH DO NOT ALTER CAD DRAWING BY HAND

rev.	description	date	name
a	Origin		

tolerance		scale:	2:1
	dim. in mm	material:	SEE SHEET 1
2006	date	name	
drawn	14.02.	Lehmenkühler	
appd.	14.02.	Mickenbecker	
norm	DIN 41652		
d-old			
		dwg no:	AutoCAD 2004
			DIN-A
			3
			sh:2/2

title:	
P.C.B. HOLE DRILLINGS	
D-SUB FILTER FEMALE 90° 9-37pos. 0.318inch threaded insert, metal bracket, clip, ferrite	
dwg no:	AutoCAD 2004
part no:	SEE SHEET 1