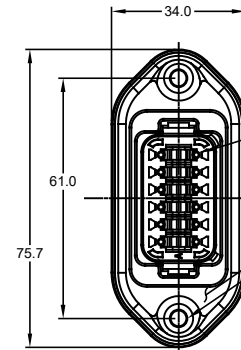
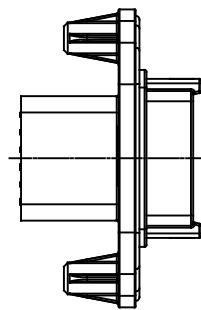


REVISIONS

| REV | ECO | DESCRIPTION  | DATE    | BY    | APPR  |
|-----|-----|--|---------|-------|-------|
| A1  | -   | RELEASE  | 14JUL15 | JAH   |       |
| A2  | -   | UPDATE   | 27OCT15 | JARRY | TOMMY |
| A3  | -   | ADDED -15 & -16 OPTIONS<br>ADDED COLORS TO NOTE #1 | 23MAR18 | JAH   |       |
| A4  | -   | CORRECTED DIMS                                     | 01OCT18 | JAH   |       |



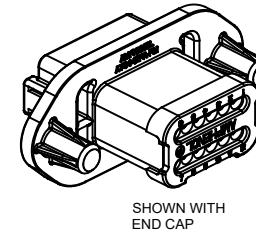
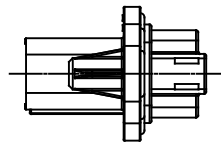
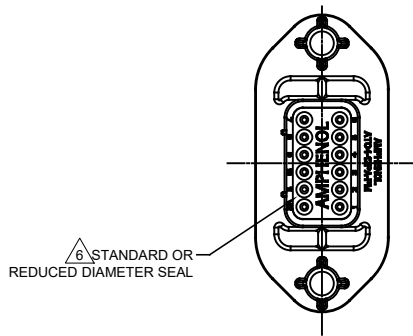
MOUNTING PLATE SIZE



REQUIRES CONTACT  
RETENTION WEDGE AW12P

GASKET

2X Ø4.0, 16.4 DP FROM MATING SURFACE  
RECOMMENDED ATTACHMENT OPTIONS:  
1. HEX WASHER HEAD SHEETMETAL SCREW,  
#10, 1/2" LONG, HEX SIZE 5/16"  
2. SELF THREAD SCREW FOR PLASTIC SUCH AS ST 4.8



SHOWN WITH  
END CAP



SHOWN WITH  
STRAIN RELIEF

NOTES: UNLESS OTHERWISE SPECIFIED

- MATERIAL:  
HOUSING: THERMOPLASTIC; COLOR: PER KEY OPTION  
END CAP: THERMOPLASTIC; COLOR: BLACK  
STRAIN RELIEF CAP: THERMOPLASTIC; COLOR: BLACK  
SEALS: SILICONE RUBBER; COLOR: RED
- MODIFICATIONS: FLANGE, GASKET, END CAP (OPT), STRAIN RELIEF CAP (OPT), REDUCED DIAMETER SEAL (OPT).
- SPECIFICATIONS:  
3.1 CURRENT RATING: 13 AMPS  
3.2 OPERATING TEMPERATURE: -55°C TO +125°C  
3.3 DIELECTRIC WITHSTANDING VOLTAGE: LESS THAN 2 MILLIAMPS CURRENT LEAKAGE @ 1500 VOLTS AC.  
3.4 INSULATION RESISTANCE: 1000 MEGOHMS MIN @ 25°C.  
3.5 MOISTURE RESISTANCE: IP67 ( MATED CONDITION )  
3.6 MATING CYCLE DURABILITY: 100 CYCLES  
3.7 ROHS COMPLIANT
- MATING PART: AT06-12SX\* PLUG  
( X = A,B,C,D KEYS; \* = MODIFICATIONS AND COLORS )
- ALL DIMENSIONS ARE FOR REFERENCE USE ONLY.

CONTACT SIZE AND REAR SEAL WIRE RANGE

REDUCED DIAMETER SEAL:

| CONTACT SIZE | MIN. INSUL O.D.      | MAX. INSUL O.D.      | TYPICAL WIRE RANGE |
|--------------|----------------------|----------------------|--------------------|
| 16           | 1.35 mm<br>(.053 in) | 3.05 mm<br>(.120 in) | 14 - 20 AWG        |

STANDARD SEAL:

| CONTACT SIZE | MIN. INSUL O.D.      | MAX. INSUL O.D.      | TYPICAL WIRE RANGE |
|--------------|----------------------|----------------------|--------------------|
| 16           | 2.24 mm<br>(.088 in) | 3.68 mm<br>(.145 in) | 14 - 20 AWG        |

| SEE SHEET 2 FOR KEYS   |  | PART NUMBER  |  | DESCRIPTION |  | ITEM  |
|--|--|--|--|-------------|--|---|
| QUANTITY   |  | MATERIALS LIST   |  |             |  |   |
| UNLESS OTHERWISE SPECIFIED:<br>1) All dimensions are in metric.(mm).<br>2) Tolerances are as follows:<br>1 PL DEC ±0.30<br>2 PL DEC ±0.15<br>3 PL DEC ±0.08<br>3) Note reference = |  | SIGNATURES   |  | DATE        |  | <p><b>Amphenol</b></p> <p>Sine Systems - www.amphenol-sine.com<br/>44724 Morley Drive<br/>Clinton Township, MI 48036</p> <p>RECEPTACLE, 12 PIN, AT SERIES,<br/>W/FLANGE</p> |
| MATERIAL SPECIFICATIONS:   |  | DRAWN: J. HEAD   |  | 14JUL15     |  |   |
| PROCESS SPECIFICATIONS:  |  | CHECKED:   |  |             |  |   |
| NEXT ASSY:   |  | APPROVAL:  |  |             |  |   |
| CUSTOMER:  |  | THIS DRAWING IS SUPPLIED FOR INFORMATION ONLY. DESIGN FEATURES, SPECIFICATIONS AND PERFORMANCE DATA SHOWN HEREON ARE THE PROPERTY OF THE AMPHENOL CORPORATION. NO RIGHTS OF REPRODUCTION ARE IMPLIED. ALL DIMENSIONS ARE SUBJECT TO NORMAL MANUFACTURING VARIATIONS. |  | SCALE: NONE |  | REVISION: A4  |

TITLE: RECEPTACLE, 12PIN, AT SERIES, W/FLANGE  
DWG NO.: AT04-12PX-PMXX  
REV: A4  
SH: 1  
OF: 2

| REVISIONS |     |  |         |       |       |
|-----------|-----|--|---------|-------|-------|
| REV       | ECO | DESCRIPTION  | DATE    | BY    | APPR  |
| A1        | -   | RELEASE  | 14JUL15 | JAH   |       |
| A2        | -   | UPDATE   | 27OCT15 | JARRY | TOMMY |
| A3        | -   | ADDED -15 & -16 OPTIONS<br>ADDED COLORS TO NOTE #1 | 23MAR18 | JAH   |       |
| A4        | -   | CORRECTED DIMS                                     | 01OCT18 | JAH   |       |

P/N AT04-12PA-PMXX  
KEY-A CONFIGURATION  
STANDARD HOUSING COLOR: GREY



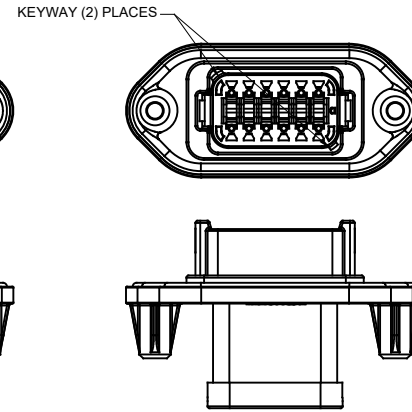
P/N AT04-12PB-PMXX  
KEY-B CONFIGURATION  
STANDARD HOUSING COLOR: BLACK



P/N AT04-12PC-PMXX  
KEY-C CONFIGURATION  
STANDARD HOUSING COLOR: GREEN



P/N AT04-12PD-PMXX  
KEY-D CONFIGURATION  
STANDARD HOUSING COLOR: BROWN



END CAP SHOWN  
ON THIS SHEET

| KEY-A CONFIGURATION |              |         |               |
|---------------------|--------------|---------|---------------|
| PART NUMBER         | SEAL         | END CAP | STRAIN RELIEF |
| AT04-12PA-PM11      | STANDARD     | NO      | NO            |
| AT04-12PA-PM12      | REDUCED DIA. | NO      | NO            |
| AT04-12PA-PM13      | STANDARD     | YES     | NO            |
| AT04-12PA-PM14      | REDUCED DIA. | YES     | NO            |
| AT04-12PA-PM15      | STANDARD     | NO      | YES           |
| AT04-12PA-PM16      | REDUCED DIA. | NO      | YES           |

| KEY-B CONFIGURATION |              |         |               |
|---------------------|--------------|---------|---------------|
| PART NUMBER         | SEAL         | END CAP | STRAIN RELIEF |
| AT04-12PB-PM11      | STANDARD     | NO      | NO            |
| AT04-12PB-PM12      | REDUCED DIA. | NO      | NO            |
| AT04-12PB-PM13      | STANDARD     | YES     | NO            |
| AT04-12PB-PM14      | REDUCED DIA. | YES     | NO            |
| AT04-12PB-PM15      | STANDARD     | NO      | YES           |
| AT04-12PB-PM16      | REDUCED DIA. | NO      | YES           |

| KEY-C CONFIGURATION |              |         |               |
|---------------------|--------------|---------|---------------|
| PART NUMBER         | SEAL         | END CAP | STRAIN RELIEF |
| AT04-12PC-PM11      | STANDARD     | NO      | NO            |
| AT04-12PC-PM12      | REDUCED DIA. | NO      | NO            |
| AT04-12PC-PM13      | STANDARD     | YES     | NO            |
| AT04-12PC-PM14      | REDUCED DIA. | YES     | NO            |
| AT04-12PC-PM15      | STANDARD     | NO      | YES           |
| AT04-12PC-PM16      | REDUCED DIA. | NO      | YES           |

| KEY-D CONFIGURATION |              |         |               |
|---------------------|--------------|---------|---------------|
| PART NUMBER         | SEAL         | END CAP | STRAIN RELIEF |
| AT04-12PD-PM11      | STANDARD     | NO      | NO            |
| AT04-12PD-PM12      | REDUCED DIA. | NO      | NO            |
| AT04-12PD-PM13      | STANDARD     | YES     | NO            |
| AT04-12PD-PM14      | REDUCED DIA. | YES     | NO            |
| AT04-12PD-PM15      | STANDARD     | NO      | YES           |
| AT04-12PD-PM16      | REDUCED DIA. | NO      | YES           |



TITLE: RECEPTACLE, 12 PIN, AT SERIES, W/FLANGE  
DWG NO: AT04-12PX-PMXX  
REV: A4  
SH: 2  
OF: 2

| QUANTITY  | PART NUMBER | DESCRIPTION   | ITEM                         |
|---|-------------|---|------------------------------|
| <b>MATERIALS LIST</b>   |             |   |                              |
| <small>UNLESS OTHERWISE SPECIFIED</small><br>1) All dimensions are in metric (mm)<br>2) Tolerances are as follows:<br>1 PL DEC ±0.30   F fractions ±1/64<br>2 PL DEC ±0.15   Angles ±1°<br>3 PL DEC ±0.08 |             | SIGNATURES DATE<br>DRAWN: J HEAD 14JUL15<br>CHECKED:<br>ENGINEER:<br>APPROVAL:  |                              |
| MATERIAL SPECIFICATIONS:  |             | <b>Amphenol</b><br>Sine Systems - www.amphenol-sine.com<br>44724 Morley Drive<br>Clinton Township, MI 48036   |                              |
| PROCESS SPECIFICATIONS:   |             | CUSTOMER: RECEPTACLE, 12 PIN, AT SERIES, W/FLANGE<br>THIS DRAWING IS SUPPLIED FOR INFORMATION ONLY. DESIGN FEATURES, SPECIFICATIONS AND PERFORMANCE DATA SHOWN HEREON ARE THE PROPERTY OF THE AMPHENOL CORPORATION. NO RIGHTS OF REPRODUCTION ARE IMPLIED. ALL DIMENSIONS ARE SUBJECT TO NORMAL MANUFACTURING VARIATIONS. |                              |
| NEXT ASSY:  |             | SIZE: B C-<br>TYPE: AT04-12PX-PMXX<br>SCALE: NONE   | REVISION: A4<br>SHEET 2 OF 2 |