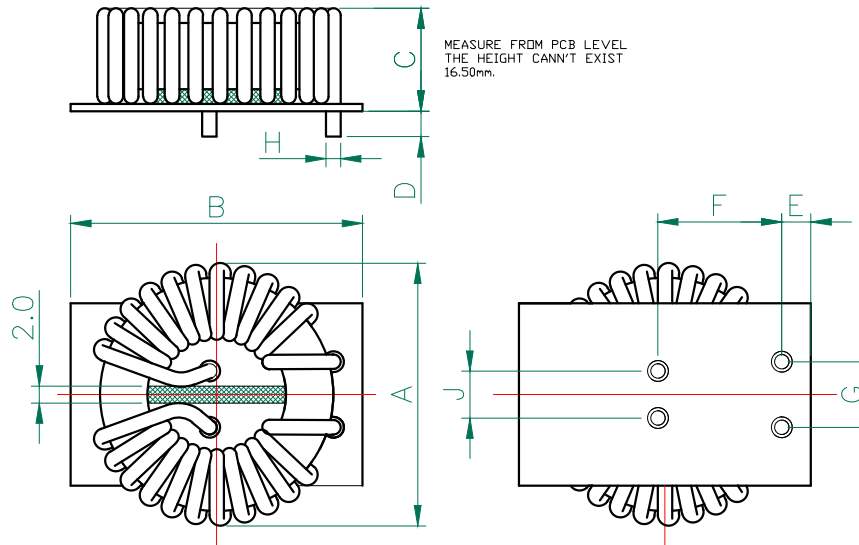


# CMX1616Z112B-10

## PHYSICAL DIMENSIONS:

A	40.00		MAX
B	40.00		MAX
C	16.50		MAX
D	3.50	+	0.50
E	3.50	+	0.50
F	22.00	+	0.50
G	15.50	+	0.50
H	∅2.00	+	0.20
J	5.00	+	0.50



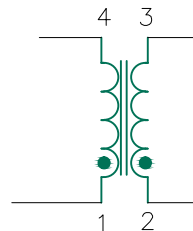
ELECTRICAL CHARACTERISTICS		TYP	MIN	MAX
INDUCTANCE @ 100KHz/0.1V	uH	1000	600	1350
DCR	mΩ	---	---	2.8
CURRENT RATING	A	---	---	30
RATING VOLTAGE	Vrms	---	---	250

HIPOT COIL-COIL: 1500V

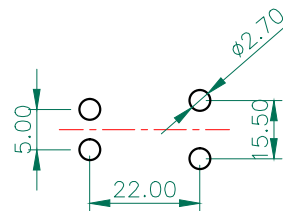
NOTE: UNLESS OTHERWISE SPECIFIED

1. FERRITE CORE: T33x18x7.3, MNZN;
2. TIN: LEAD-FREE SOLDER BAR;
3. ISOLATE 2 COILS BY EPOXY.
4. OPERATING TEMPERATURE RANGE: -40°C TO+105°C (INCLUDING SELF-HEATING).

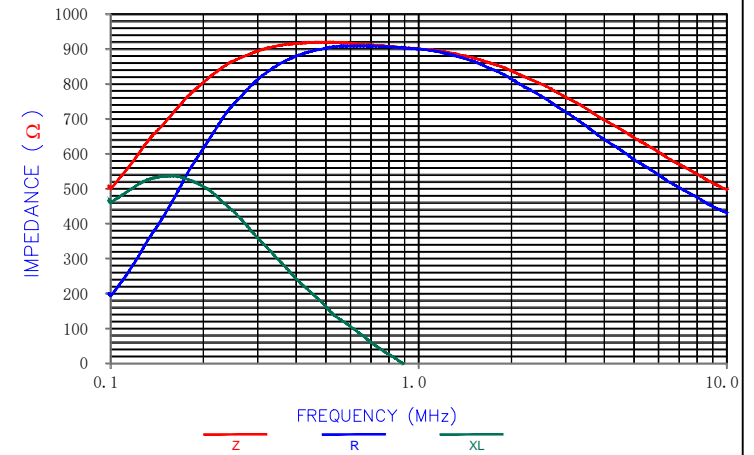
## EQUIVALENT CIRCUIT



## LAND PATTERN



## Z, R, XL vs. FREQUENCY



RoHS

DIMENSIONS ARE IN mm.				This print is the property of Laird Tech. and is loaned in confidence subject to return upon request and with the understanding that no copies shall be made without the written consent of Laird Tech. All rights to design or invention are reserved.			
PROJECT/PART NUMBER:				REV		PART TYPE:	
CMX1616Z112B-10				B		QIU	
DATE:				SCALE:		SHEET:	
03/08/19 DC				NTS		1 of 1	
04/15/13 QIU				TOOL #		-	
REV				DESCRIPTION			
A				ORIGINAL DRAFT			
B				CHANGE LAND PATTERN			
REV				DATE			
INT				CMX1616Z112B-10-B			

Laird