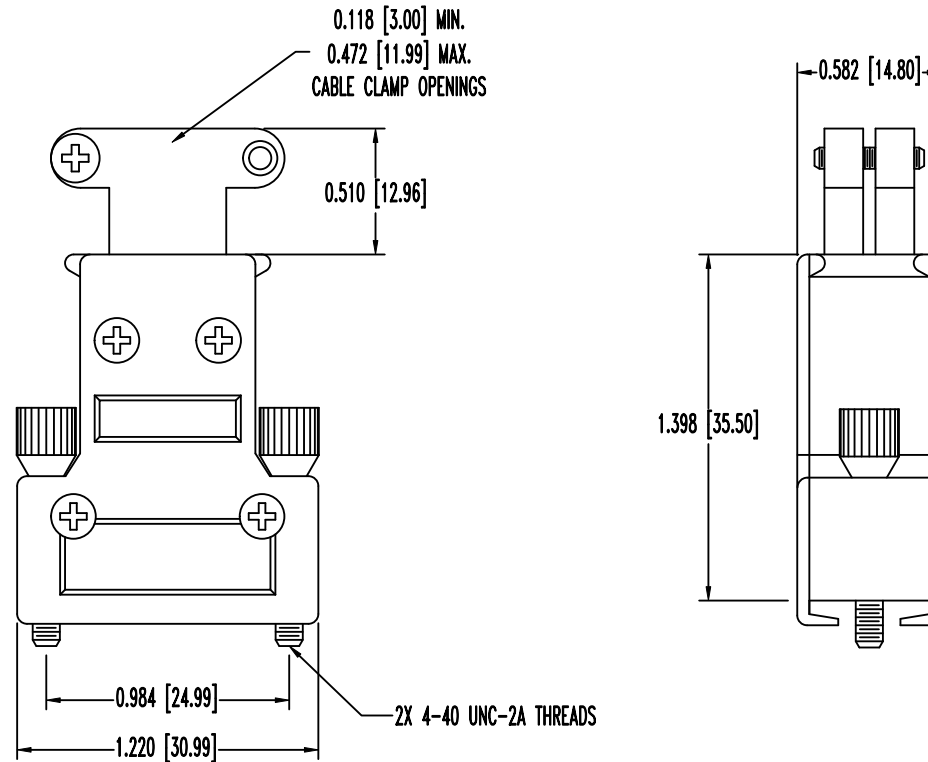


SK7171


DATE	REV	REVISION RECORD	APP	DR	CK
04-07 21	B	ECO 81067	PA	AB	MS

THIS DRAWING CONTAINS INFORMATION PROPRIETARY TO POSITRONIC AND ITS SUBSIDIARIES. POSITRONIC BELIEVES THE DATA ON THIS DRAWING TO BE RELIABLE, SINCE THE TECHNICAL INFORMATION IS GIVEN FREE OF CHARGE, THE USER EMPLOYS SUCH INFORMATION AT HIS OWN DISCRETION AND RISK. POSITRONIC ASSUMES NO RESPONSIBILITY FOR RESULTS OBTAINED OR DAMAGES INCURRED FROM USE OF SUCH INFORMATION IN WHOLE OR IN PART.



NOTES:

- MATERIALS AND FINISHES:
HOOD, HOOD COVER AND CABLE CLAMPS: DIE CAST ZINC.
JACKSCREWS: STEEL, ZINC NICKEL PLATE.
HOOD SCREWS AND CABLE CLAMP SCREWS: STEEL, NICKEL PLATE
- DETAILED PRODUCT, MECHANICAL AND ELECTRICAL INFORMATION IS AVAILABLE IN THE LATEST D-SUB ACCESSORIES PRODUCT PUBLICATION AT CONNECTPOSITRONIC.COM.
- COMPONENTS ARE COMPLIANT TO THE CURRENT RoHS DIRECTIVE.
- DIMENSIONS ARE IN INCHES [MILLIMETERS].

	POSITRONIC INDUSTRIES INC. SPRINGFIELD, MISSOURI 65801	
	D SERIES	SCALE N.T.S.
DECIMAL TOL. ± 0.015 [0.38]	APPROVED BY RCW	
TITLE D9000GEO/AA		
ANGULAR TOL. ± 5°	DATE 3-17-06	DRAWING NUMBER SK7171
		REV. B