



Que-2-TXT™
Questions?
scan to text us fast



DUSK TO DAWN LED FIXTURE WITH ARM AND PHOTOCELL



specifications

Consumption	Lumen Output	Efficacy	Material	Finish	Ambient Temp (F)	L70 hours	SP	CRI	Lens	PF	THD	IP Rating	Number of Drivers
65W	8,400	129 lm / W	rugged die-cast aluminum, corrosion resistant housing	polyester powder-coat	-4° - 113°	50,000	10 KV optional (GI-ACC-LV-SP)	> 70	polycarbonate	> 0.9	< 20%	65 wet location	1

select your flood light fixture

Part Number	Color Temp	Voltage	Finish	Net Weight
GI-D2D-C250-UL4	5000K	100 - 277 V ⚡	bronze	4.80 lbs
GI-D2D-C250S-UL4	5000K	100 - 277 V ⚡	silver	4.80 lbs

your included accessory

Part Number	Description
GI-ACC-LV-TLPC	twist lock photocell



your optional accessory

Part Number	Description
GI-ACC-DDAB	bronze arm mount
GI-ACC-DDAS	silver arm mount

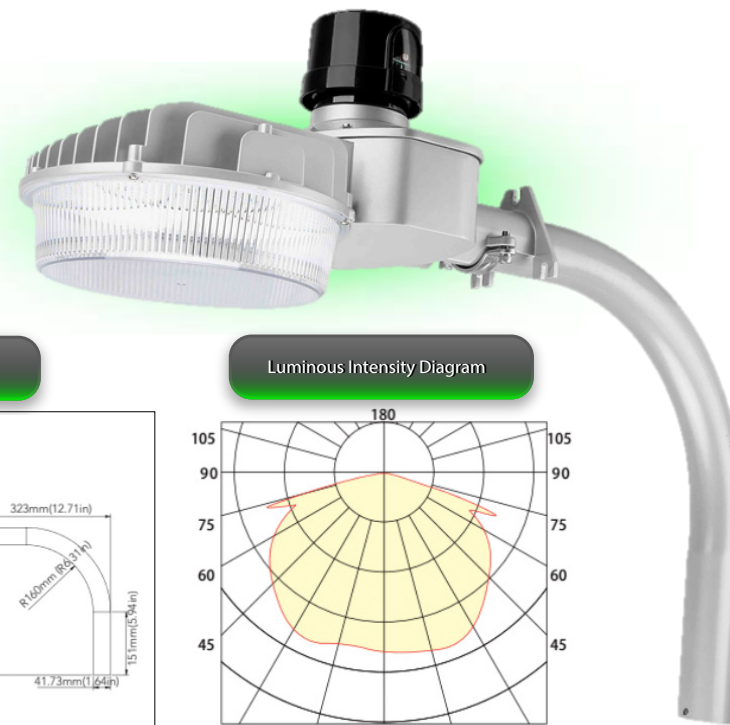
other specifications

Dimensions	Warranty	Case QTY
7.9" x 7.6" x 14.2"	6 years	1 pc

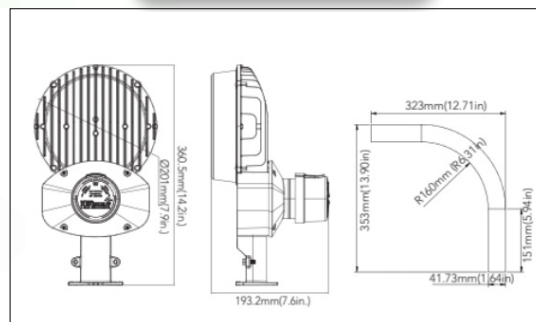


Features

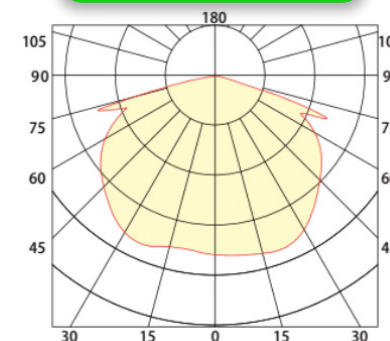
- Included photocell
- Color matching arm mounts available
- Die-cast waterproof housing allows for both indoor and outdoor applications
- Available in durable polyester dark bronze or silver/grey powder coat
- Type 5 distribution



Dimensional Diagram



Luminous Intensity Diagram



Mounting arm kit



Not all product variations listed on this page may be DLC qualified. Visit www.designlights.org/search to confirm qualification.



/greenignite
@greenignite



www.greenignite.com



info@greenignite.com



1-877-560-3779