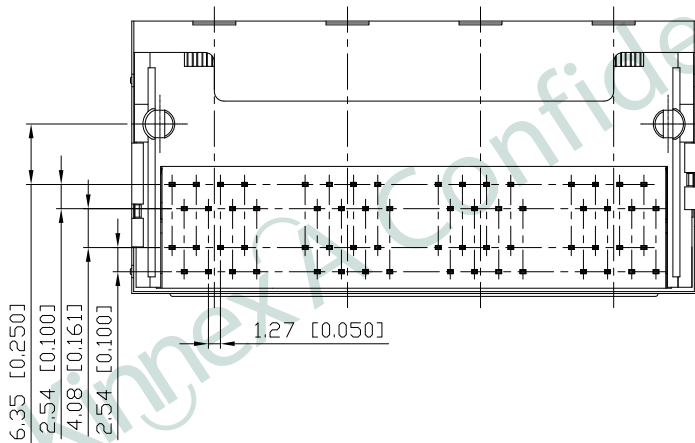
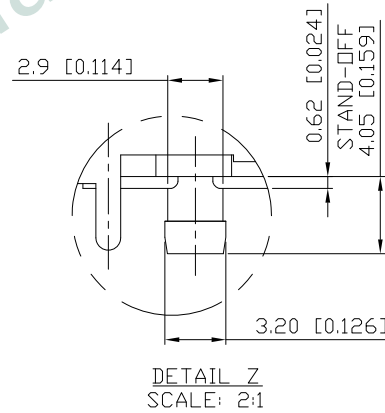
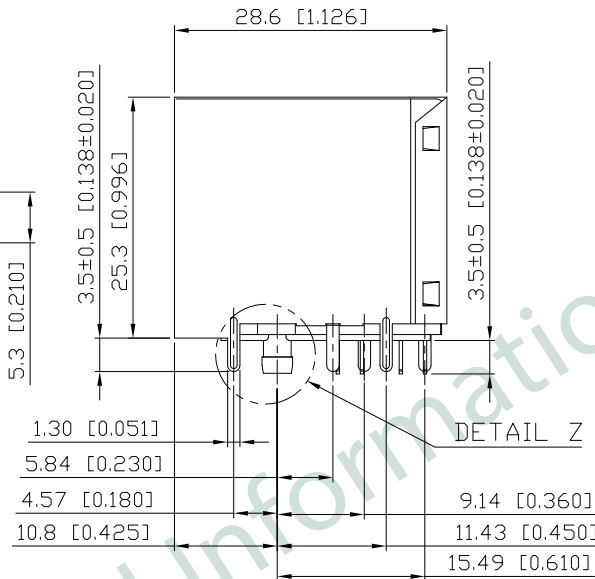
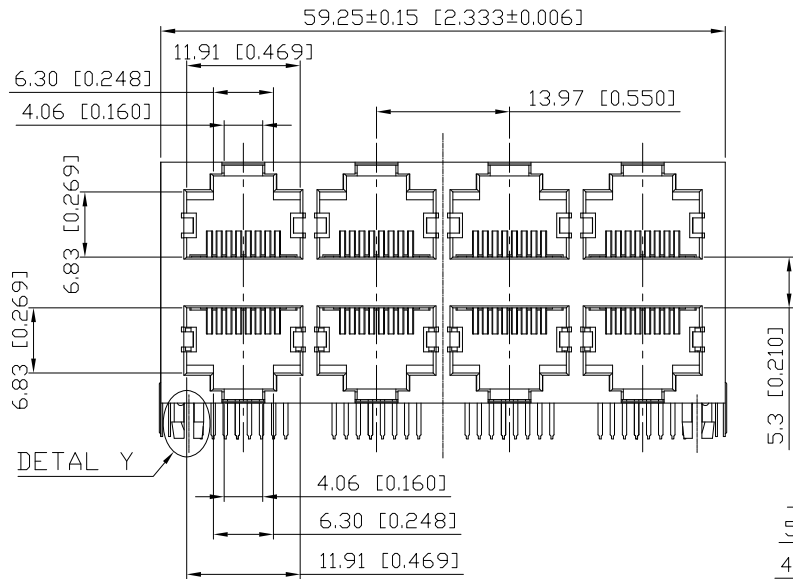


1. MECHANICAL DIMENSIONS :

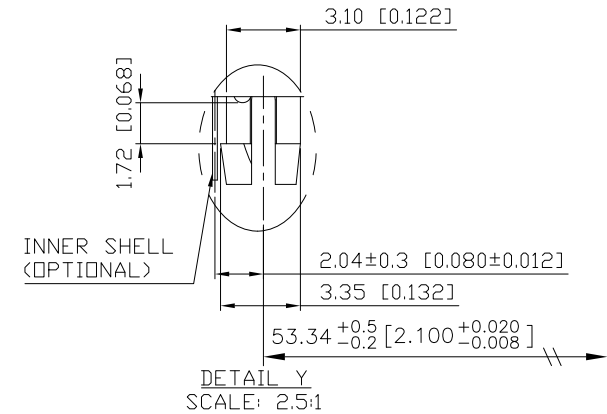
A  
B  
C  
D  
E  
F



| REV. | DATE         | DESCRIPTION |
|------|--------------|-------------|
| 01   | Apr. 23, '19 | 1st RELEASE |
|      |              |             |
|      |              |             |

NOTES:

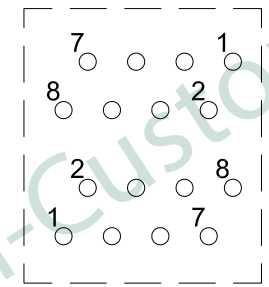
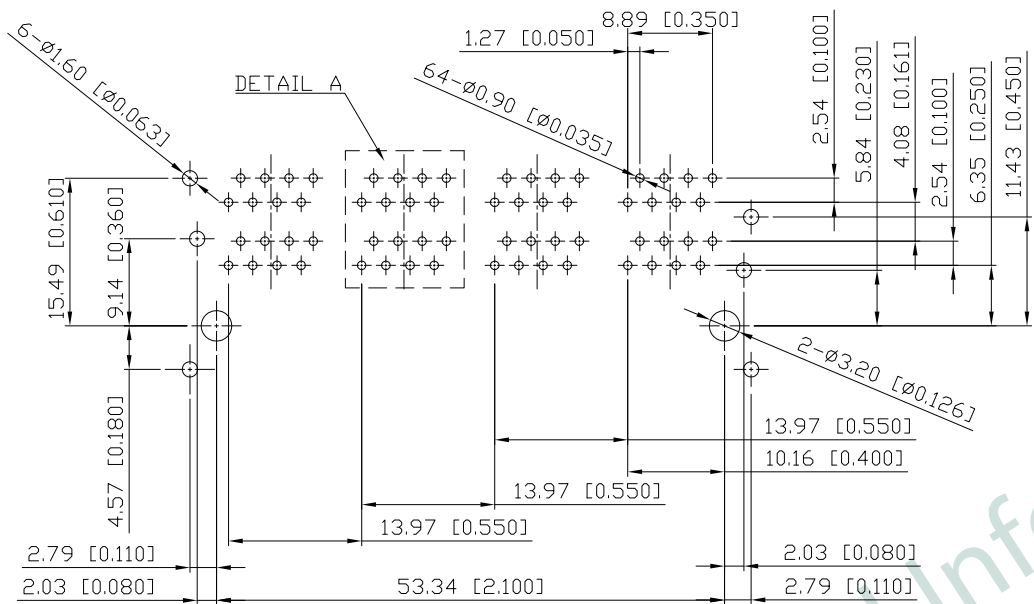
- MATERIAL:  
HOUSING: HIGH THERMOPLASTIC, UL94V-0, BLACK  
COVER: HIGH THERMOPLASTIC, UL94V-0, BLACK  
CONTACTS: PHOS-BRONZE,  
3u" GOLD PLATING ON CONTACT AREA,  
NICKEL UNDERPLATING OVERALL  
SHIELD: COPPER ALLOY, NICKEL PLATING
- OPERATING TEMPERATURE: -40°C~+85°C
- MATING FORCE: 4 POUNDS MAX.  
UNMATING FORCE: 4 POUNDS MAX.
- DURABILITY: 750 MATING CYCLED MIN.
- CAVITY CONFORMS TO FCC RULES AND REGULATIONS PART 68, SUBPART F.
- UNSPECIFIED TOLERANCE: .XX ±0.25[0.010]  
.X ±0.30[0.012]



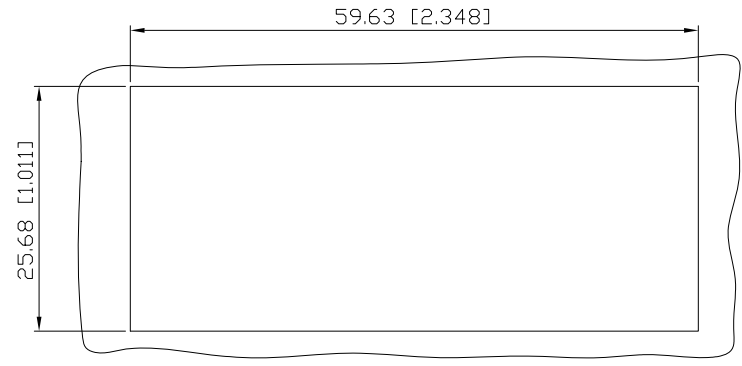
| PART NO  |  | KRD-S-24-8-8-0-9LD-XXX |              |        |
|----------|--|------------------------|--------------|--------|
| TITLE    | RJ45 2X4 8P8C, W/D LED, SHIELDED, STACKED TYPE |                        |              |        |
| REV : 01 |  |                        |              |        |
| UNIT     | DRAWN  | CHKD                   | DATE         | SHEET  |
| mm[inch] | CINDY  | VINCENT                | Apr. 23, '19 | 1 of 4 |

ROHS Compliant

2. PCB LAYOUT :



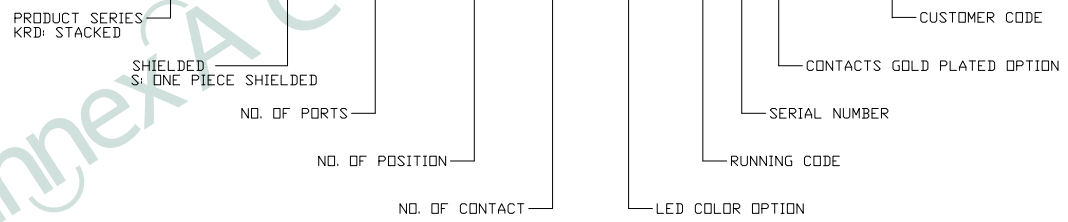
DETAIL A  
SCALE: 2:1



RECOMMENDED  
PANEL CUTOUT DIMENSION

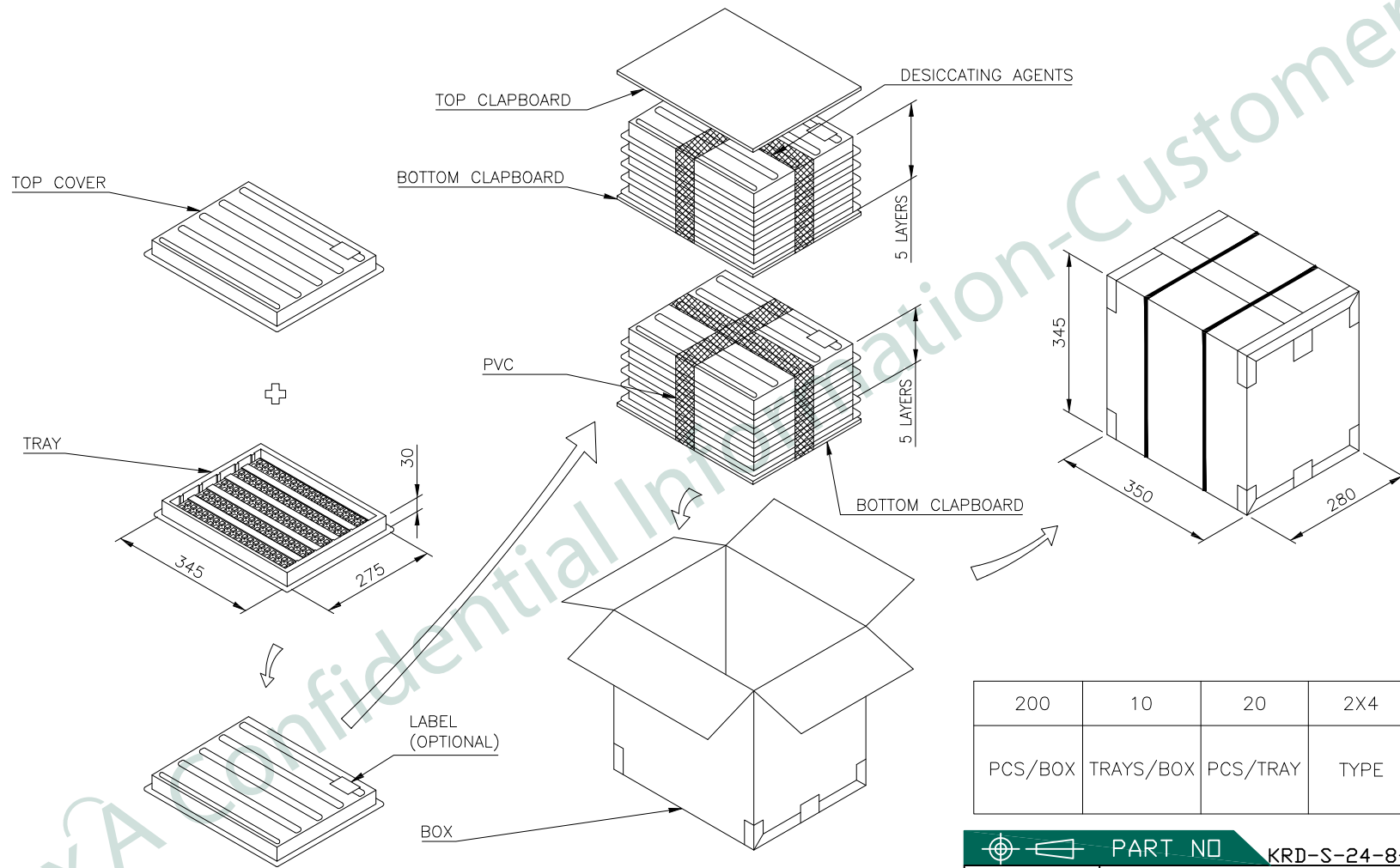
SUGGESTED PCB LAYOUT  
(TOP VIEW)  
DIMENSIONAL TOLERANCE: .XX ±0.08[0.003]

KRD-S-24-8-8-0-9LD-XXX

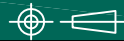


|                                |  |         |              |        |
|--------------------------------|--|---------|--------------|--------|
| PART NO KRD-S-24-8-8-0-9LD-XXX |  |         |              |        |
| TITLE                          | RJ45 2X4 8P8C, W/D LED, SHIELDED, STACKED TYPE |         |              |        |
| REV : 01                       |  |         |              |        |
| UNIT                           | DRAWN  | CHKD    | DATE         | SHEET  |
| mm[inch]                       | CINDY  | VINCENT | Apr. 23, '19 | 2 of 4 |

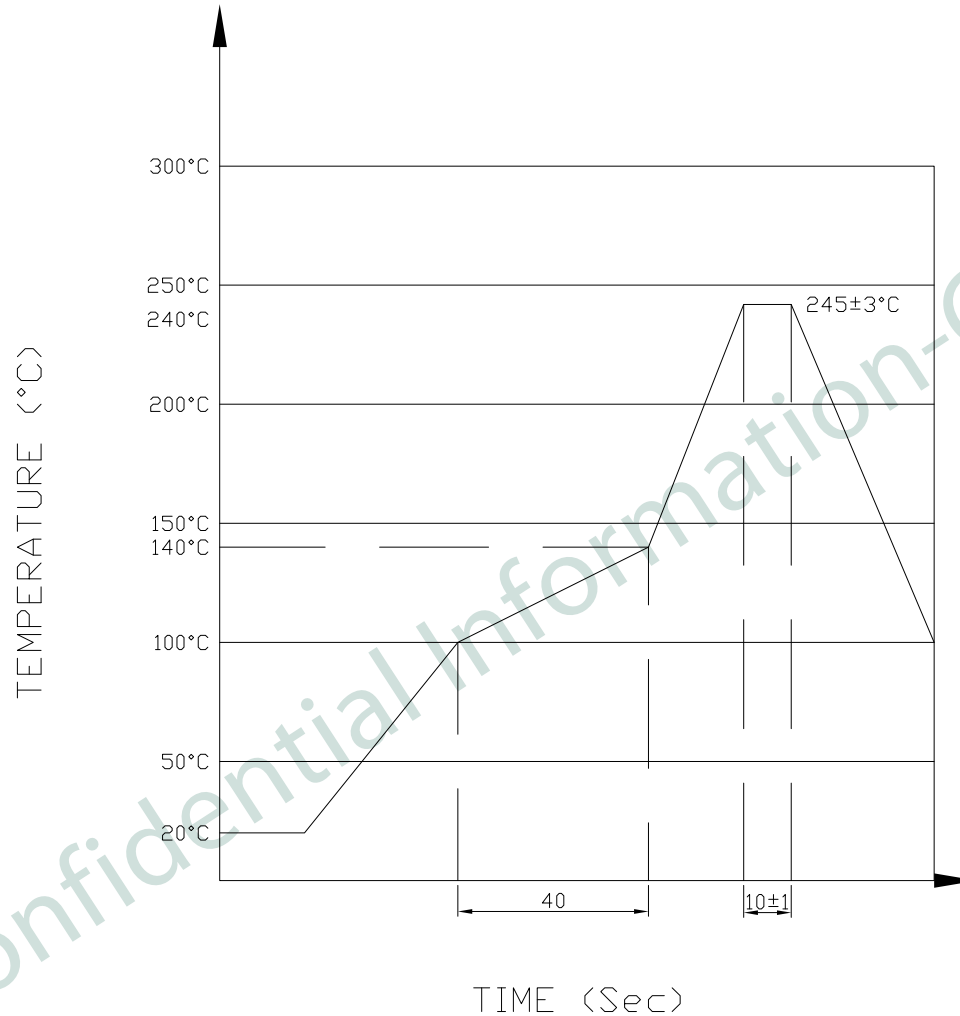
3. PACKING SPECIFICATION:



|         |           |          |      |
|---------|-----------|----------|------|
| 200     | 10        | 20       | 2X4  |
| PCS/BOX | TRAYS/BOX | PCS/TRAY | TYPE |

|   |       |  |              |        |
|---|-------|--|--------------|--------|
|  PART NO |       | KRD-S-24-8-8-0-9LD-XXX                         |              |        |
| TITLE   |       | RJ45 2X4 8P8C, W/D LED, SHIELDED, STACKED TYPE |              |        |
| REV : 01  |       |  |              |        |
| UNIT  | DRAWN | CHKD   | DATE         | SHEET  |
| mm[inch]  | CINDY | VINCENT  | Apr. 23, '19 | 3 of 4 |

4. PROFILE OF WAVE SOLDER :



THE MEASURING POINT FOR THE SPECIFIED TEMPERATURE SHALL BE ON THE SOLDERED PART OF THE LEAD

|                                |  |         |              |        |
|--------------------------------|--|---------|--------------|--------|
| PART NO KRD-S-24-8-8-0-9LD-XXX |  |         |              |        |
| TITLE                          | RJ45 2X4 8P8C, W/D LED, SHIELDED, STACKED TYPE |         |              |        |
| REV : 01                       |  |         |              |        |
| UNIT                           | DRAWN  | CHKD    | DATE         | SHEET  |
| mm[inch]                       | CINDY  | VINCENT | Apr. 23, '19 | 4 of 4 |