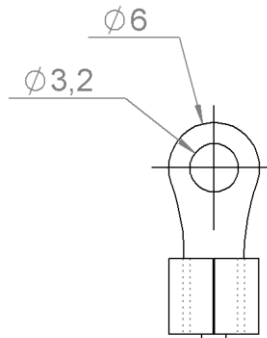
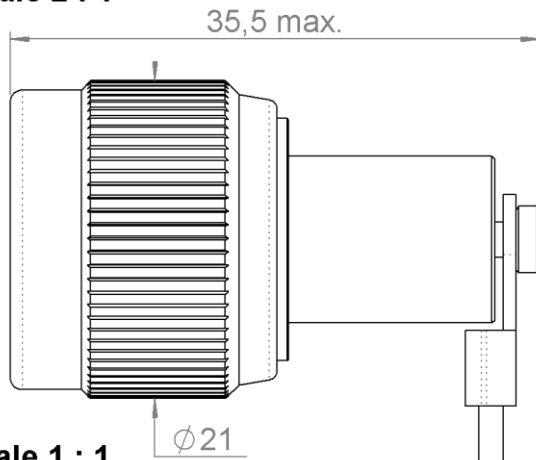
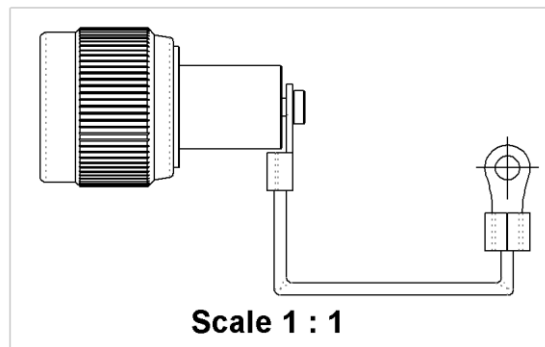
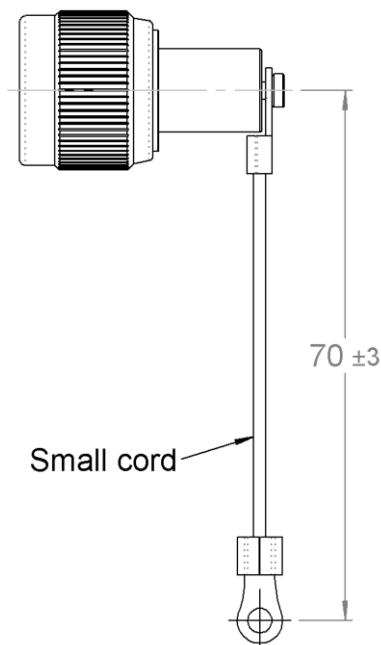


PAGE 1/2	ISSUE 23-08-18B	SERIES <b>TERMINATION</b>	PART NUMBER <b>R404240121</b>
----------	-----------------	------------------------------	-------------------------------

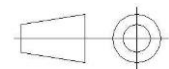
**Scale 2 : 1**



**Scale 1 : 1**



All dimensions are in mm. Tolerances according ISO 2768 m-H



COMPONENTS	MATERIALS	PLATING (µm)
Body	<b>BRASS</b>	<b>NICKEL 5</b>
Center contact	<b>BRASS</b>	<b>GOLD 2.5 OVER NICKEL 1</b>
Outer contact	<b>BRASS</b>	<b>NICKEL 5</b>
Insulator	<b>PTFE</b>	
Gasket	<b>SILICONE</b>	
Substrate	<b>ALUMINA</b>	
Resistor	<b>THIN FILM</b>	
Others parts		

PAGE 2/2	ISSUE <b>23-08-18B</b>	SERIES <b>TERMINATION</b>	PART NUMBER <b>R404240121</b>
----------	------------------------	------------------------------	-------------------------------

### ELECTRICAL CHARACTERISTICS

Frequency (GHz)	<b>DC - 4</b>	<b>4 - 8</b>	<b>8 - 12.4</b>
V.S.W.R (≤)	<b>1.05</b>	<b>1.10</b>	<b>1.15</b>

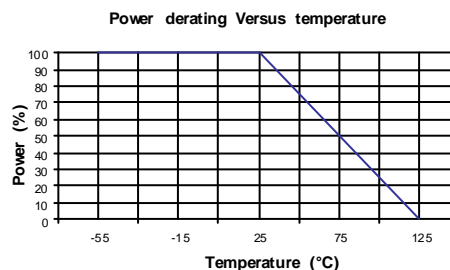
Operating Frequency Range	<b>DC - 12.4</b>	GHz
Impedance	<b>50</b>	Ω
DC Resistance	<b>50</b>	Ω ± 5%
Peak power at 25°C (1μs, 1%)	<b>500</b>	W
Average power at 25°C	<b>1</b>	W (Free Air Cooled)
		W (Conduction Cooled)

### MECHANICAL CHARACTERISTICS

Connectors	<b>N</b>	<b>MALE</b>	<b>MIL C39012</b>
Weight	<b>36,000</b> g		

### ENVIRONMENTAL CHARACTERISTICS

Operating temperature range	<b>-55 /+125</b>	°C
Storage temperature range	<b>-55 /+125</b>	°C



### SPECIFICATION

### OTHER CHARACTERISTICS