

SIGN	DATE	DESCRIPTION	APPROVER
△	2013.06.13	Rev change	SHIN
△	2013.06.27	Corrected dimensions	
△	2014.02.14	Revised tolerances and corrected layout	
△	2016.11.13	PNC- part number change	
THIS IS CAD DRAWING, DO NOT REVISE MANUALLY!!!			

Material

- Insulator: Glass filled Polyester
- Flammability: UL94V-0
- Contacts: Phosphor Bronze
- Contact Plating: See options
- Shell: Copper Alloy, 80u Ni over 50u Cu

Ratings

- Current: 1.5A
- Voltage: 30V AC(r.m.s.)
- Dielectric Withstanding Voltage: 500V AC at sea level
- Contact Resistance: <30mΩ
- Insulation Resistance: >1,000 MΩ
- Operating Temperature: -55° ~ +85°
- Mating Force: 3.5Kg Max
- Umating Force: 1Kg. Min

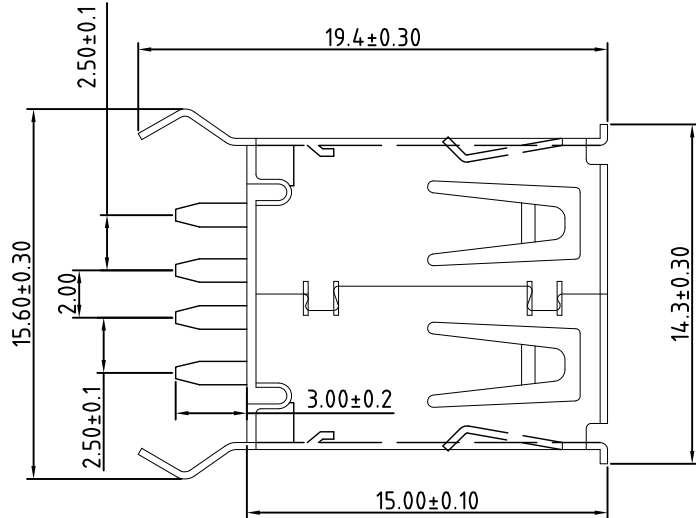
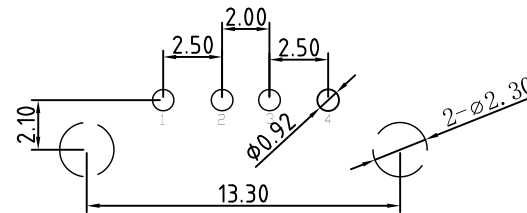
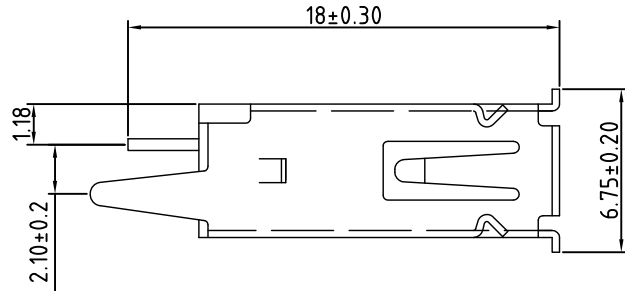
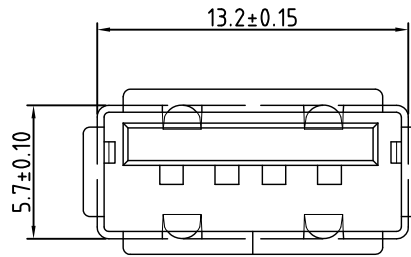
RoHS Compliant

PART NUMBER:

△
USB-A1VSXX0

COLOR:
B: Black
W: White

PLATING:
6: Selective Au Flash/50u" Ni
8: Selective 30u" Au/50u" Ni (USB 2.0)



THESE DRAWINGS AND SPECIFICATIONS ARE THE PROPERTY OF ON-SHORE TECHNOLOGY, INC. AND SHALL NOT BE REPRODUCED, COPIED OR USED IN ANY MANNER WITHOUT THE PRIOR WRITTEN CONSENT OF ON-SHORE TECHNOLOGY, INC.



TITLE		USB - A type, Vertical, thru hole, single port, 0 shield style					
PART NO.		USB-A1VSXX0		DWG NO.		USB-A1VSXX0.DWG	
APPROVED		CHECKED	DESIGNED	DRAWN		1200	
		Marvin 2013.06.13	Marvin 2013.06.13	Marvin 2013.06.13		Tolerance	
						UNIT: mm	
						SCALE: NONE	
				SHEET: 01/01		REV.: B	
						X.X ±0.30	
						X.XX ±0.25	
						X.XXX ±0.15	