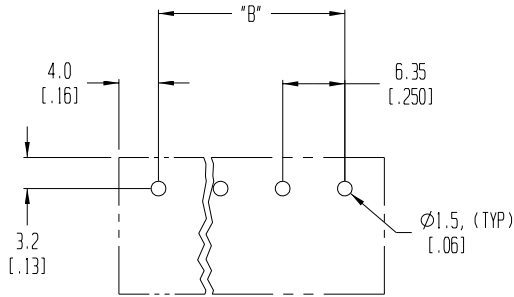
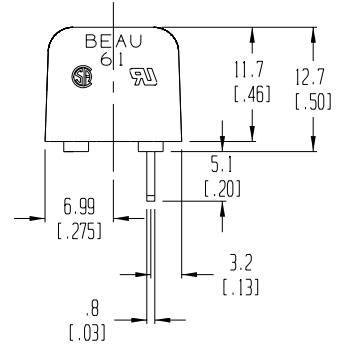
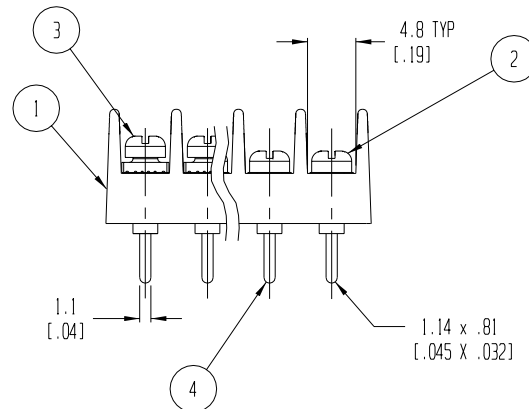
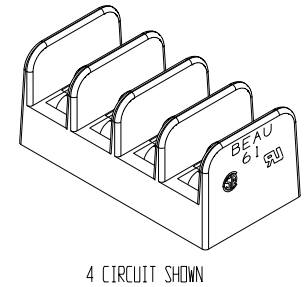
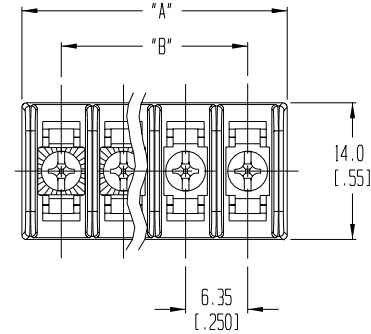


| MATERIAL NO. (-C OPTION) | MATERIAL NO. (-SO OPTION) | # OF CIRC. "XX" | "A" | "B" |
|--------------------------|---------------------------|-----------------|--------------|--------------|
| 386106602 | 386107802 | 2 | 14.5 (.57) | 6.4 (.25) |
| 386106603 | 386107803 | 3 | 20.8 (.82) | 12.7 (.50) |
| 386106604 | 386107804 | 4 | 27.2 (1.07) | 19.1 (.75) |
| 386106605 | 386107805 | 5 | 33.5 (1.32) | 25.4 (1.00) |
| 386106606 | 386107806 | 6 | 39.9 (1.57) | 31.8 (1.25) |
| 386106607 | 386107807 | 7 | 46.2 (1.82) | 38.1 (1.50) |
| 386106608 | 386107808 | 8 | 52.6 (2.07) | 44.5 (1.75) |
| 386106609 | 386107809 | 9 | 58.9 (2.32) | 50.8 (2.00) |
| 386106610 | 386107810 | 10 | 65.3 (2.57) | 57.2 (2.25) |
| 386106611 | 386107811 | 11 | 71.6 (2.82) | 63.5 (2.50) |
| 386106612 | 386107812 | 12 | 78.0 (3.07) | 69.9 (2.75) |
| 386106613 | 386107813 | 13 | 84.3 (3.32) | 76.2 (3.00) |
| 386106614 | 386107814 | 14 | 90.7 (3.57) | 82.6 (3.25) |
| 386106615 | 386107815 | 15 | 97.0 (3.82) | 88.9 (3.50) |
| 386106616 | 386107816 | 16 | 103.4 (4.07) | 95.3 (3.75) |
| 386106617 | 386107817 | 17 | 109.7 (4.32) | 101.6 (4.00) |
| 386106618 | 386107818 | 18 | 116.1 (4.57) | 108.0 (4.25) |
| 386106619 | 386107819 | 19 | 122.4 (4.82) | 114.3 (4.50) |
| 386106620 | 386107820 | 20 | 128.8 (5.07) | 120.7 (4.75) |
| 386106621 | 386107821 | 21 | 135.1 (5.32) | 127.0 (5.00) |
| 386106622 | 386107822 | 22 | 141.5 (5.57) | 133.4 (5.25) |
| 386106623 | 386107823 | 23 | 147.8 (5.82) | 139.7 (5.50) |
| 386106624 | 386107824 | 24 | 154.2 (6.07) | 146.1 (5.75) |
| 386106625 | 386107825 | 25 | 160.5 (6.32) | 152.4 (6.00) |
| 386106626 | 386107826 | 26 | 166.9 (6.57) | 158.8 (6.25) |
| 386106627 | 386107827 | 27 | 173.2 (6.82) | 165.1 (6.50) |
| 386106628 | 386107828 | 28 | 179.6 (7.07) | 171.5 (6.75) |
| 386106629 | 386107829 | 29 | 185.9 (7.32) | 177.8 (7.00) |
| 386106630 | 386107830 | 30 | 192.3 (7.57) | 184.2 (7.25) |
| 386106631 | 386107831 | 31 | 198.6 (7.82) | 190.5 (7.50) |
| 386106632 | 386107832 | 32 | 205.0 (8.07) | 196.9 (7.75) |



PROPOSED PTH PATTERN



- NOTES:
1. MATERIAL: SEE TABLE
 2. FINISHES: SEE TABLE
 3. PRODUCT SPECIFICATION: NOT REQUIRED
 4. PACKAGING: NOT REQUIRED
 5. MATES WITH: NONE
 7. INCH DIMS ARE SHOWN IN PARENTHESIS (XXX)
 6. "XX" REFERS TO NUMBER OF CIRCUITS

| ITEM | QTY. | DESCRIPTION | MATERIAL | FINISH |
|------|------|--------------------------|---------------|---------------------|
| 4 | XX | TERMINAL, STYLE 5 | BRASS | TIN PLATE |
| 3 | XX | SCREW & WASHER (-SO OPT) | STEEL | ZINC/CLEAR CHROMATE |
| 2 | XX | SCREW (STD.) | BRASS | NICKEL |
| 1 | 1 | BARRIER TERMINAL STRIP | THERMOPLASTIC | BLACK |

| | | | | | | | |
|--|--|--|---|---------------------------------|--|------------------------|--|
| EC NO. RELEASED WH 10-22-03 DRWN: CH'K: APPR: | DESCRIPTION MAJOR CRITICAL SPC S | QUALITY SYMBOLS | GENERAL TOLERANCES: (UNLESS SPECIFIED) | SCALE 2:1 | DESIGN UNITS <input type="checkbox"/> mm <input checked="" type="checkbox"/> INCH | THIRD ANGLE PROJECTION | PROJECT NO. - 1 - DIMENSIONS: SHT REV <input checked="" type="checkbox"/> mm <input type="checkbox"/> INCH <input type="checkbox"/> mm ONLY <input type="checkbox"/> INCH ONLY REVISE ON CAD ONLY |
| | | 4 PLACES mm INCH ±.0015 3 PLACES ±.038 ±.005 2 PLACES ±.13 ±.01 1 PLACE ±.3 | DRAWN BY & DATE W. HOWARD 10-22-03 | TITLE: 61 SERIES BTS PC ASSY | | | |
| | | ANGULAR: ±2° | APPROVED BY & DATE | MOLEX INCORPORATED | | | |
| | | DRAFT WHERE APPLICABLE MUST REMAIN WITHIN DIMENSIONS | CAD FILENAME 615XX-C | MATERIAL NO. SEE CHART | DRAWING NO. SD-38610-002 | SHEET NO. 1 OF 1 | SIZE B |

THIS DRAWING CONTAINS INFORMATION THAT IS PROPRIETARY TO MOLEX INCORPORATED AND SHOULD NOT BE USED WITHOUT WRITTEN PERMISSION.