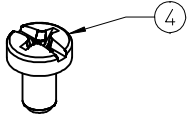
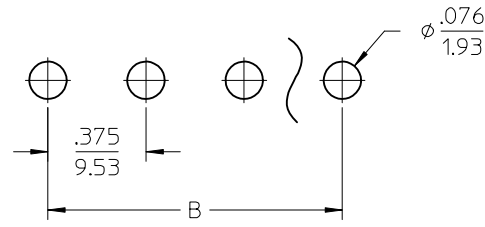
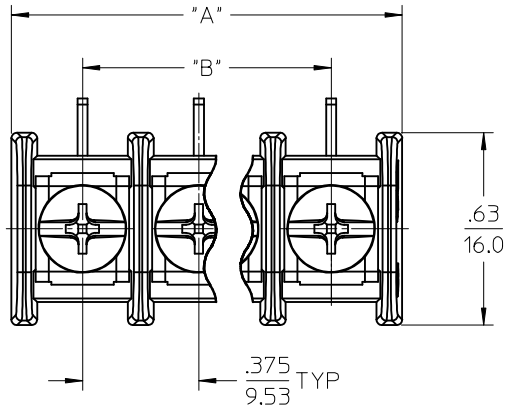
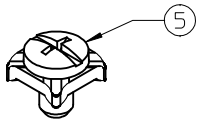


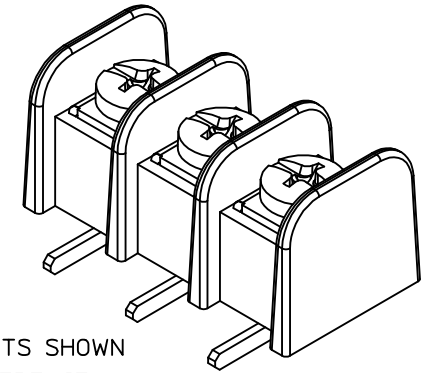
REF. -49 OPT. SCREW  
(WHERE APPLICABLE)



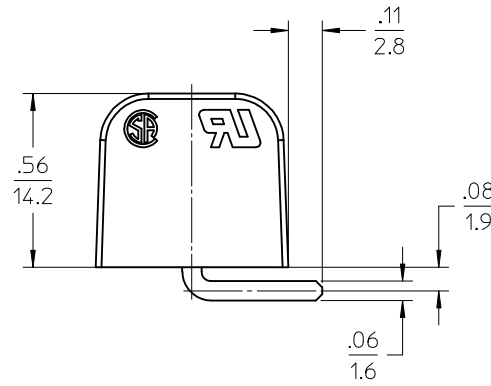
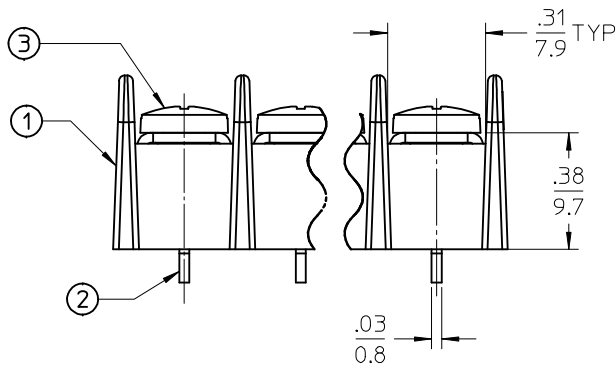
REF. -50 OPT. SCREW  
(WHERE APPLICABLE)



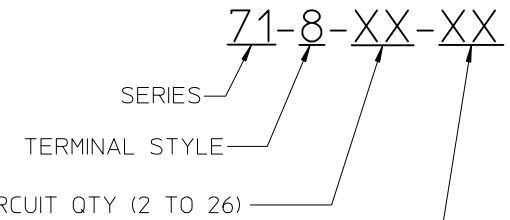
PTH PATTERN



3 CIRCUITS SHOWN  
AS REFERENCE



PART NUMBER LEGEND



OPTION (-49 BRASS,PHIL/SLOT SCREW)  
(-50 CLAMP WASHER,PHIL/SLOT SCREW)  
(-C NO MOUNTING ENDS)

NOTES:

1. MATERIAL: SEE TABLE.
2. FINISHES: SEE TABLE.
3. PRODUCT SPECIFICATION: PS-38710-001
4. "XX" REFERS TO NUMBER OF CIRCUITS.
5. ASSEMBLY IS RoHS COMPLIANT.

| ITEM | QTY | DESCRIPTION                                | MATERIAL        | FINISH |
|------|-----|--|-----------------|--------|
| 5    | XX  | #6-32 PH/SLOTTED SCREW W/WSHR (OPTION -50) | STEEL           | ZINC   |
| 4    | XX  | #6-32 PH/SLOTTED SCREW (OPTION -49)        | BRASS           | NICKEL |
| 3    | XX  | #6-32 PH/SLOTTED SCREW (STANDARD)          | STEEL           | ZINC   |
| 2    | XX  | TERMINAL, WW SN-KT                         | BRASS           | TIN    |
| 1    | 1   | INSULATOR                                  | POLYESTER (PBT) | BLACK  |

RELEASED  
EC NO: IFC2016-0008  
DRAWN: SVMURTHY 2015/06/30  
CHKD: RSTONE 2015/06/30  
APPR: JFMURPHY 2016/07/11

QUALITY SYMBOLS  
▽/0  
▽/0  
▽/0

GENERAL TOLERANCES (UNLESS SPECIFIED)

|          | mm     | INCH   |
|----------|--------|--------|
| 4 PLACES | ± ---  | ± ---  |
| 3 PLACES | ± ---  | ± .005 |
| 2 PLACES | ± 0.13 | ± .01  |
| 1 PLACE  | ± 0.3  | ± ---  |
| 0 PLACE  | ± ---  | ± ---  |

ANGULAR ± 2°  
DRAFT WHERE APPLICABLE  
MUST REMAIN WITHIN DIMENSIONS

DIMENSION STYLE  
IN/MM

| DRAWN BY    | DATE       |
|-------------|------------|
| SVMURTHY    | 2015/06/30 |
| CHECKED BY  | DATE       |
| RSTONE      | 2015/06/30 |
| APPROVED BY | DATE       |
| JFMURPHY    | 2016/07/11 |

MATERIAL NO.  
SEE SHEET 2

SCALE  
2:1

DESIGN UNITS  
INCH

THIRD ANGLE PROJECTION

TITLE  
9.53MM [.375"] SR BTS  
RA ASSY, NO MTG

DOCUMENT NO.  
SD-38711-5302

SHEET NO.  
1 OF 2

THIS DRAWING CONTAINS INFORMATION THAT IS PROPRIETARY TO MOLEX INCORPORATED AND SHOULD NOT BE USED WITHOUT WRITTEN PERMISSION

10 9 8 7 6 5 4 3 2 1

| # OF CIRCUITS "XX" | DIM. "A" |      | DIM. "B" |        |
|--------------------|----------|------|----------|--------|
|                    | in       | mm   | in       | mm     |
| 02                 | .83      | 21.1 | .375     | 9.53   |
| 03                 | 1.21     | 30.7 | .750     | 19.05  |
| 04                 | 1.58     | 40.1 | 1.125    | 28.58  |
| 05                 | 1.96     | 49.8 | 1.500    | 38.10  |
| 06                 | 2.33     | 59.2 | 1.875    | 47.63  |
| 07                 | 2.71     | 68.8 | 2.250    | 57.15  |
| 08                 | 3.08     | 78.2 | 2.625    | 66.68  |
| 09                 | 3.46     | 87.9 | 3.000    | 76.20  |
| 10                 | 3.83     | 97.3 | 3.375    | 85.73  |
| 11                 | 4.21     | 107  | 3.750    | 95.25  |
| 12                 | 4.58     | 116  | 4.125    | 104.78 |
| 13                 | 4.96     | 126  | 4.500    | 114.30 |
| 14                 | 5.33     | 135  | 4.875    | 123.83 |
| 15                 | 5.71     | 145  | 5.250    | 133.35 |
| 16                 | 6.08     | 154  | 5.625    | 142.88 |
| 17                 | 6.46     | 164  | 6.000    | 152.40 |
| 18                 | 6.83     | 173  | 6.375    | 161.93 |
| 19                 | 7.21     | 183  | 6.750    | 171.45 |
| 20                 | 7.58     | 193  | 7.125    | 180.98 |
| 21                 | 7.96     | 202  | 7.500    | 190.50 |
| 22                 | 8.33     | 212  | 7.875    | 200.03 |
| 23                 | 8.71     | 221  | 8.250    | 209.55 |
| 24                 | 9.08     | 231  | 8.625    | 219.08 |
| 25                 | 9.46     | 240  | 9.000    | 228.60 |
| 26                 | 9.83     | 250  | 9.375    | 238.13 |

|  |                                      |                                       |         |   |   |              |                               |                        |  |
|--|--------------------------------------|---------------------------------------|---------|---|---|--------------|-------------------------------|------------------------|--|
| <b>RELEASED</b><br>EC NO: IFC2016-0008<br>DRWN: SVMURTHY 2015/06/30<br>CHKD: RSTONE 2015/06/30<br>APPR: JFMURPHY 2016/07/11<br>A | QUALITY SYMBOLS<br>F/0<br>F/0<br>F/0 | GENERAL TOLERANCES (UNLESS SPECIFIED) |         | DIMENSION STYLE<br>IN/MM  |   | SCALE<br>2:1 | DESIGN UNITS<br>INCH          | THIRD ANGLE PROJECTION |  |
|  |                                      | 4 PLACES ± --- ± ---                  | mm INCH | DRAWN BY DATE<br>SVMURTHY 2015/06/30  | TITLE<br>9.53MM [.375"] SR BTS<br>RA ASSY, NO MTG |              |                               |                        |  |
|  |                                      | 3 PLACES ± --- ± .005                 |         | CHECKED BY DATE<br>RSTONE 2015/06/30  |   |              |                               |                        |  |
|  |                                      | 2 PLACES ± 0.13 ± .01                 |         | APPROVED BY DATE<br>JFMURPHY 2016/07/11   | MATERIAL NO.<br>387112302                         |              | DOCUMENT NO.<br>SD-38711-5302 | SHEET NO.<br>2 OF 2    |  |
| DRAFT WHERE APPLICABLE MUST REMAIN WITHIN DIMENSIONS   |                                      | ANGULAR ± 2 °                         |         | THIS DRAWING CONTAINS INFORMATION THAT IS PROPRIETARY TO MOLEX INCORPORATED AND SHOULD NOT BE USED WITHOUT WRITTEN PERMISSION |   |              |                               |                        |  |

9 8 7 6 5 4 3 2 1