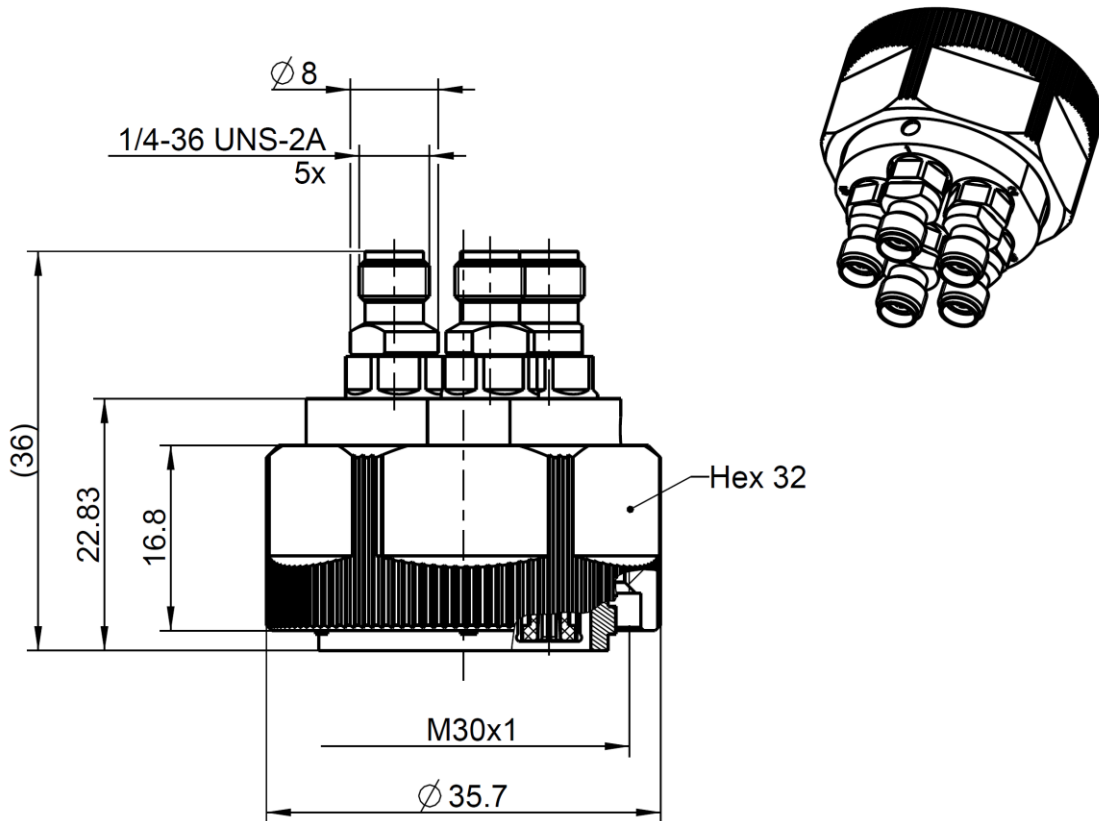


ADAPTOR
RPC-3.50 female – MQ5 male

03K1MQ5-S01D3



All dimensions are in mm; tolerances according to ISO 2768 m-H

Interface

RPC-3.50 according to	IEC 60169-23
RPC-3.50 mechanically compatible with	RPC-2.92 and SMA
MQ5 according to	IEC 63138

Documents

N/A

Material and plating

Connector parts

Center contact	CuBe
Outer contact (RPC-3.50 side)	Stainless steel
Outer contact (MQ5 side)	CuBe
Body	Brass
Coupling Nut	Brass
Dielectric 1 (RPC-3.50 side)	COP
Dielectric 2 (MQ5 side)	PTFE

Plating

Gold, min. 1.27 µm, over chemical nickel
Passivated
Gold, min. 1.27 µm, over chemical nickel
White bronze(e.g. Optalloy®)
NiSn plating or equivalent

Dieses Dokument ist urheberrechtlich geschützt • This document is protected by copyright • Rosenberger Hochfrequenztechnik GmbH & Co. KG

RFB00035/12.20/6.4

Electrical data

Impedance	50 Ω
Frequency	DC to 6 GHz
Return loss	≥ 36 dB, DC to 2 GHz ≥ 34 dB, 2 GHz to 4 GHz ≥ 28 dB, 4 GHz to 6 GHz
Insertion loss	≤ 0.05 x √f(GHz)dB
Insulation resistance	≥ 5 GΩ
Proof voltage (at sea level)	1000 V rms
Working voltage (at sea level)	335 V rms
RF-leakage	≥ 100 dB up to 1 GHz

Mechanical data

Mating cycles RPC-3.50	≥ 500
Mating cycles MQ5	≥ 1000
Center contact captivation: axial	≥ 27 N
Coupling test torque RPC-3.50	1.70 Nm
Coupling torque recommended RPC-3.50	0.80 Nm to 1.10 Nm
Coupling torque recommended MQ5	25 Nm to 30 Nm

Environmental data

Temperature range	-40 °C to +85 °C
Thermal shock	MIL-STD-202, Meth. 107, Cond. B
Corrosion	MIL-STD-202, Meth. 101, Cond. B
Vibration	MIL-STD-202, Meth. 204, Cond. D
Shock	MIL-STD-202, Meth. 213, Cond. I
Moisture resistance	MIL-STD-202, Meth. 106
RoHS	compliant

Notes

Single adaptor as replacement part	03K1MQ4-S00D3
------------------------------------	---------------

Weight

138 g/pce

While the information has been carefully compiled to the best of our knowledge, nothing is intended as representation or warranty on our part and no statement herein shall be construed as recommendation to infringe existing patents. In the effort to improve our products, we reserve the right to make changes judged to be necessary.

For the installation of the electrotechnical equipment, particular electrotechnical expertise is required.



Dieses Dokument ist urheberrechtlich geschützt • This document is protected by copyright • Rosenberger Hochfrequenztechnik GmbH & Co. KG

RFB00035/12.20/6.4

Draft	Date	Approved	Date	Rev.	Engineering change number	Name	Date
F. Reiner	01.09.20	H. Babinger	02.12.21	a00	21-s253	J. Rohloff	02.12.21
Rosenberger Hochfrequenztechnik GmbH & Co. KG P.O.Box 1260 D-84526 Tittmoning Germany www.rosenberger.com						Tel. : +49 8684 18-0 Email : info@rosenberger.com	
							Page 2 / 2