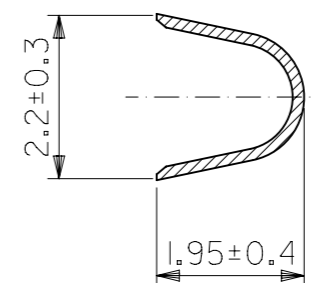
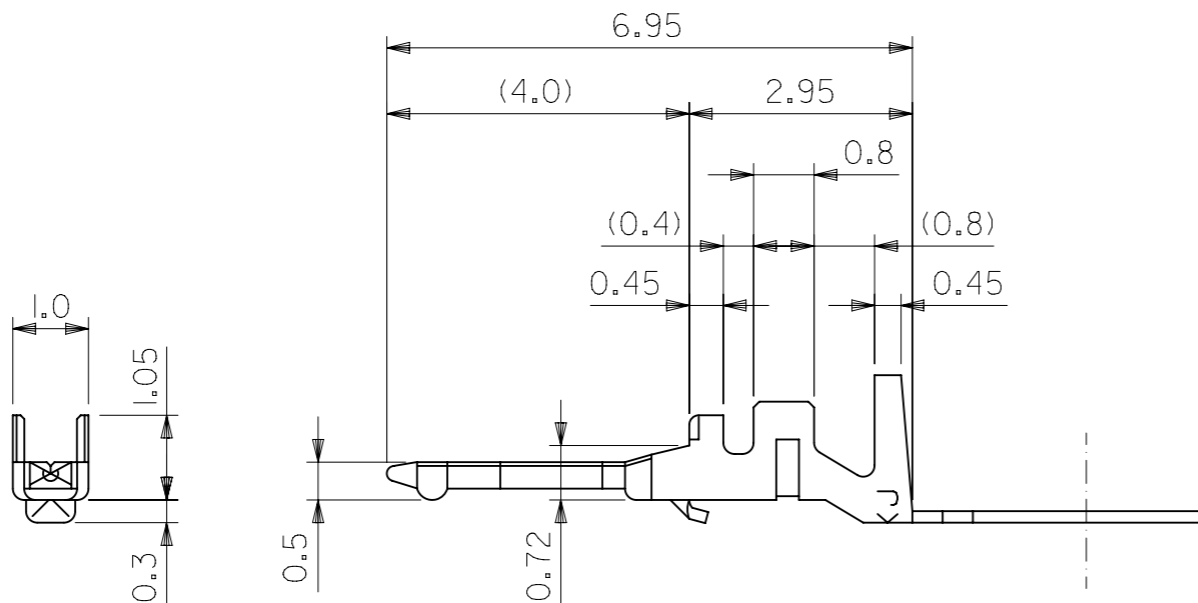


A-A断面
SECT. A-A



B-B断面
SECT. B-B

注)
NOTE.

- 1. 適合ハウジング : 51015-***00
APPLICABLE HOUSING:51015-***00

50034-8000	連鎖状 CHAIN
オーダー番号 ORDER No.	形状 FORM
CONNECTOR SERIES No. 50034-8*00	

材料 MATERIAL	錫メッキ済、リン青銅 PHOS. BRO. TIN-PLATED
適用電線範囲 WIRE RANGE	AWG #26 ~ #30
適用被覆外径 INS. RANGE	∅1.4 MAX.

GENERAL TOLERANCES (UNLESS SPECIFIED)	
10 ^{UNDER}	±0.2
10 ^{OVER} 30 ^{UNDER}	±0.25
30 ^{OVER}	±0.3
ANGULAR	±3°

THIS DRAWING CONTAINS INFORMATION THAT IS PROPRIETARY TO MOLEX ELECTRONIC TECHNOLOGIES, LLC AND SHOULD NOT BE USED WITHOUT WRITTEN PERMISSION		SCALE mm 10:1		CURRENT REV DESC: OBSOLETE PART NUMBER	
GENERAL TOLERANCES (UNLESS SPECIFIED)		EC NO: 632260			
4 PLACES ±		DRWN: AKUMAR19 2020/01/30			
3 PLACES ±		CHK'D: GGA 2020/02/28			
2 PLACES ±		APPR: GGA 2020/02/28		2.0 BOARD IN CONN. CRIMP PIN	
1 PLACE ±		INITIAL REVISION:		PRODUCT CUSTOMER DRAWING	
0 PLACES ±		DRWN: KKOHAMA 2000/03/28		DOCUMENT NUMBER	
ANGULAR TOL ± °		APPR: MFUKUSHIMA 2000/03/30		SD-50034-002	
DRAFT WHERE APPLICABLE MUST REMAIN WITHIN DIMENSIONS		THIRD ANGLE PROJECTION		DOC TYPE DOC PART REVISION	
		DRAWING A3-SIZE		PSD 001 E	
		SERIES 50034		SHEET NUMBER	
		MATERIAL NUMBER		1 OF 1	
		CUSTOMER			
		SEE TABLE		GENERAL MARKET	