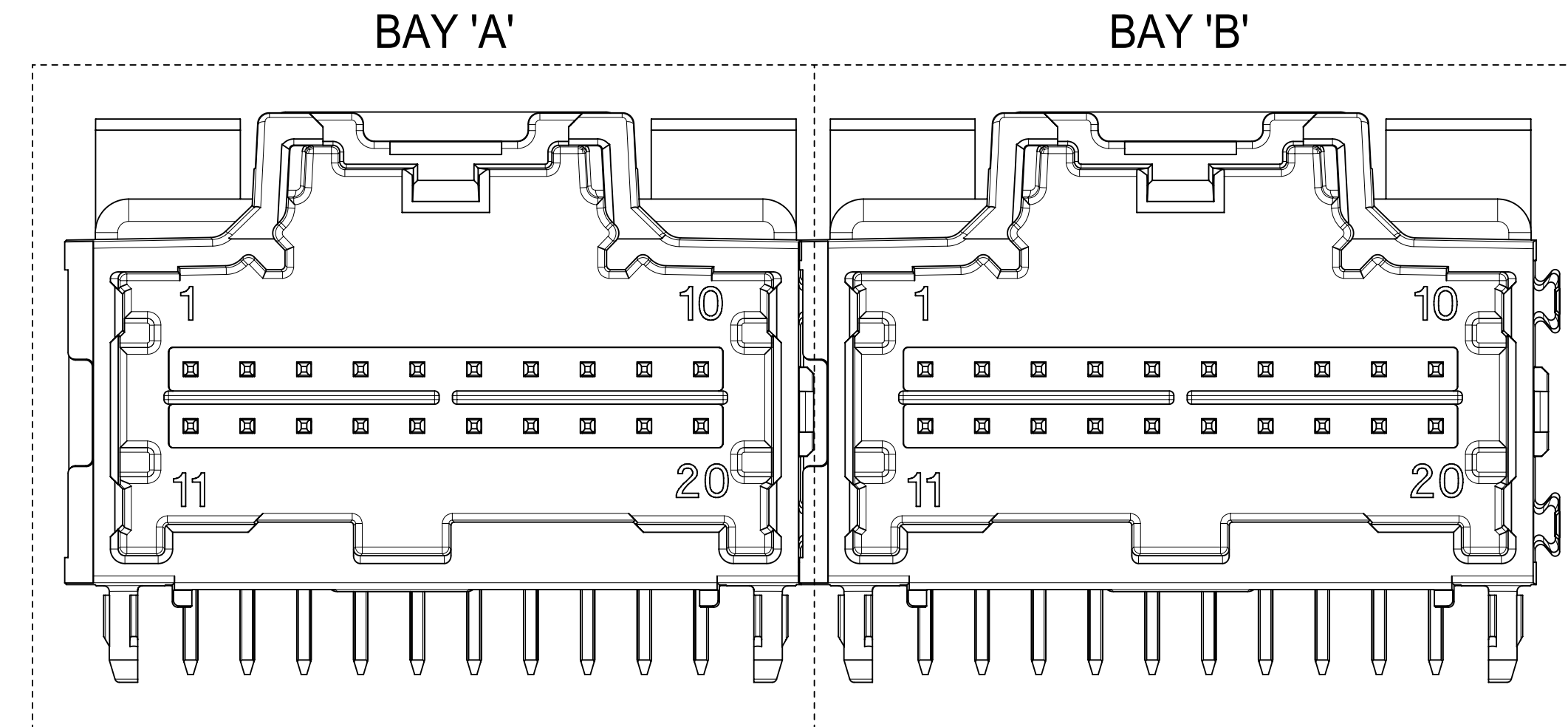


DIMENSIONAL CHART FOR MULTIBAY CONFIGURATION:

2 BAY PART NUMBER (TUBE PKG)	2 BAY PART NUMBER (TRAY PKG)	BAY A			BAY B			DIM 'A'	DIM 'B'	DIM 'C'	DIM 'D'
		CKT	TYPE	POL	CKT	TYPE	POL				
34997-7000	34997-2000	20	0.64mm	A	20	0.64mm	B	66.94	64.47	27.94	27.94
34997-7001	34997-2001	20	0.64mm	C	8	0.64mm	A	51.70	49.23	27.94	12.70
34997-7002	34997-2002	20	0.64mm	C	12	0.64mm	A	56.78	54.31	27.94	17.78
TBD	34997-2003	8	0.64mm	A	10	HYBRID	A	51.70	49.23	12.70	27.94
TBD	34997-2004	12	0.64mm	A	8	0.64mm	A	41.54	39.07	17.78	12.70
TBD	34997-2005	20	0.64mm	C	20	0.64mm	B	66.94	64.47	27.94	27.94
TBD	34997-2006	10	HYBRID	A	20	0.64mm	A	66.94	64.47	27.94	27.94
TBD	34997-2007	12	0.64mm	A	8	0.64mm	B	41.54	39.07	17.78	12.70
TBD	34997-2008	20	0.64mm	A	16	0.64mm	C	61.86	59.39	27.94	22.86
TBD	34997-2009	20	0.64mm	A	16	0.64mm	A	56.78	54.31	27.94	17.78
34997-7010	34997-2010	20	0.64mm	A	8	0.64mm	A	51.70	49.23	27.94	12.70
34997-7011	34997-2011	20	0.64mm	B	8	0.64mm	A	51.70	49.23	27.94	12.70
TBD	34997-2012	12	0.64mm	A	12	0.64mm	C	46.62	44.15	17.78	17.78
34997-7013	34997-2013	20	0.64mm	B	20	0.64mm	C	66.94	64.47	27.94	27.94
34997-7014	34997-2014	10	HYBRID	B	10	HYBRID	A	66.94	64.47	27.94	27.94
TBD	34997-2015	12	0.64mm	B	16	0.64mm	A	51.70	49.23	17.78	22.86
34997-7016	34997-2016	10	HYBRID	B	20	0.64mm	A	66.94	64.47	27.94	27.94
34997-7017	34997-2017	16	0.64mm	B	16	0.64mm	C	56.78	54.31	22.86	22.86
TBD	34997-2018	14	HYBRID	A	10	HYBRID	A	66.94	64.47	27.94	27.94
TBD	34997-2019	12	0.64mm	A	20	0.64mm	B	56.78	54.31	17.78	27.94
TBD	34997-2020	10	HYBRID	B	12	0.64mm	A	56.78	54.31	27.94	17.78
TBD	34997-2021	12	0.64mm	A	8	0.64mm	B	41.54	39.07	17.78	12.70
TBD	34997-2022	10	HYBRID	A	12	0.64mm	A	56.78	54.31	27.94	17.78

2 BAY STAC64 RIGHT ANGLE HEADER ASSEMBLY  
(P/N: 34997-2000 SHOWN)



NOTES: VALID UNLESS OTHERWISE SPECIFIED

1. GENERAL:

a. CONNECTOR HEADER MUST BE VALIDATED TO THE FOLLOWING FUNCTIONAL REQUIREMENTS:

PRODUCT SPECIFICATION:  
8-20 CKT 0.64 PRODUCT SPEC: PS-34729-020/PS-31408-100  
10/14CKT HYBRID PRODUCT SPEC: PS-34696-100

b. APPLICATION REQUIREMENTS (REFERENCE ONLY):

APPLICATION SPECIFICATION: AS-34729-020/AS-31408-100

c. PACKAGING SPECIFICATION PER MOLEX DRAWING PK-31300-892 (TRAY)  
d. PACKAGING SPECIFICATION PER MOLEX DRAWING PK-31301-063 (TUBE)

2. DESIGN: MATERIALS:

a. SHROUD (PLASTIC HOUSING):  
RESIN - SPS 30%GF

HOUSING COLOR:  
BLACK - POLARIZATION 'A'  
GREY - POLARIZATION 'B'  
BROWN - POLARIZATION 'C'  
GREEN - POLARIZATION 'D'

b. 0.64mm PINS:  
BASE MATERIAL: C26000  
PLATING TYPE: AS NOTED

c. 1.5/2.8mm BLADES:  
BASE MATERIAL: C19400  
PLATING TYPE: AS NOTED

3. PLATING REQUIREMENTS:

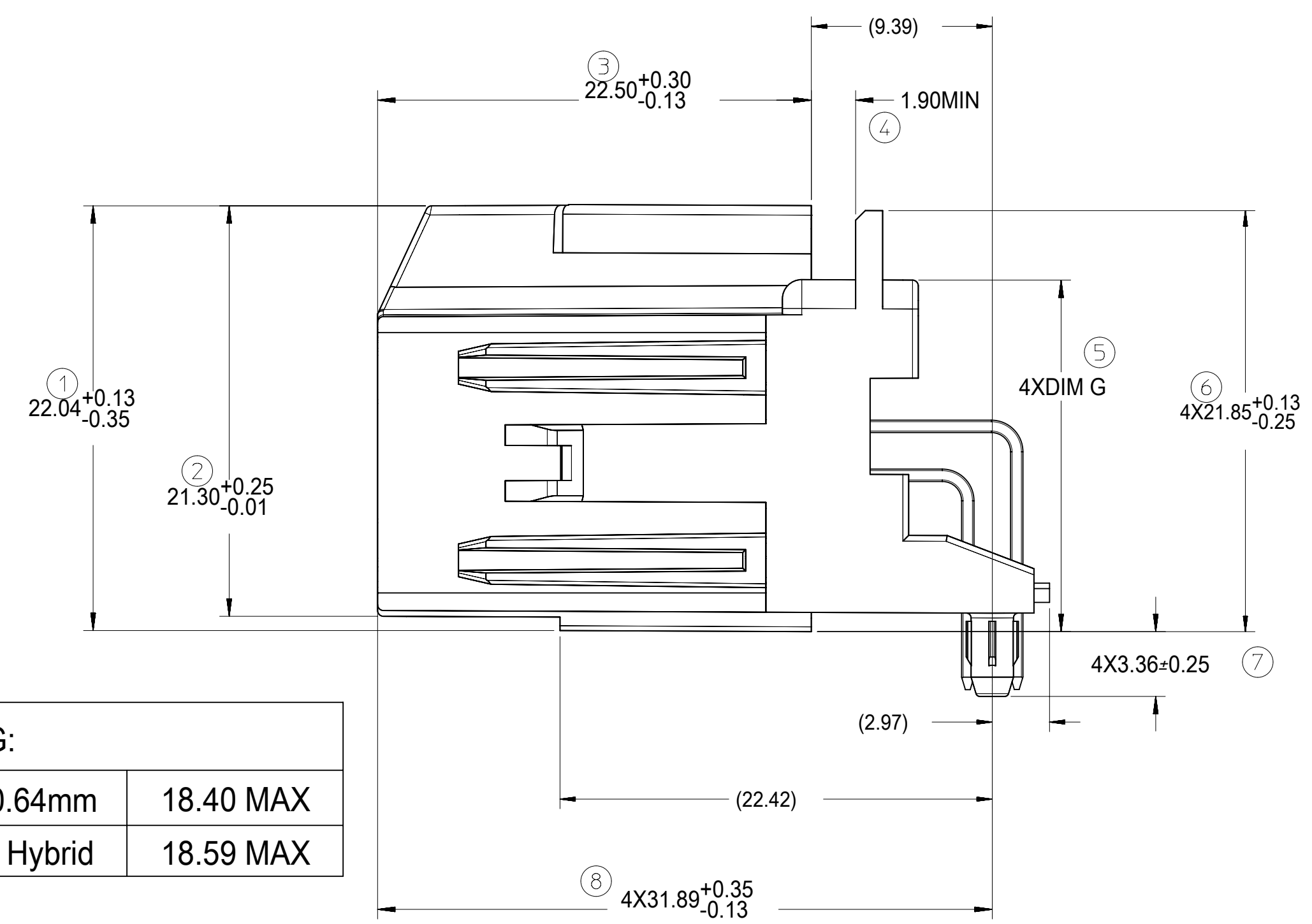
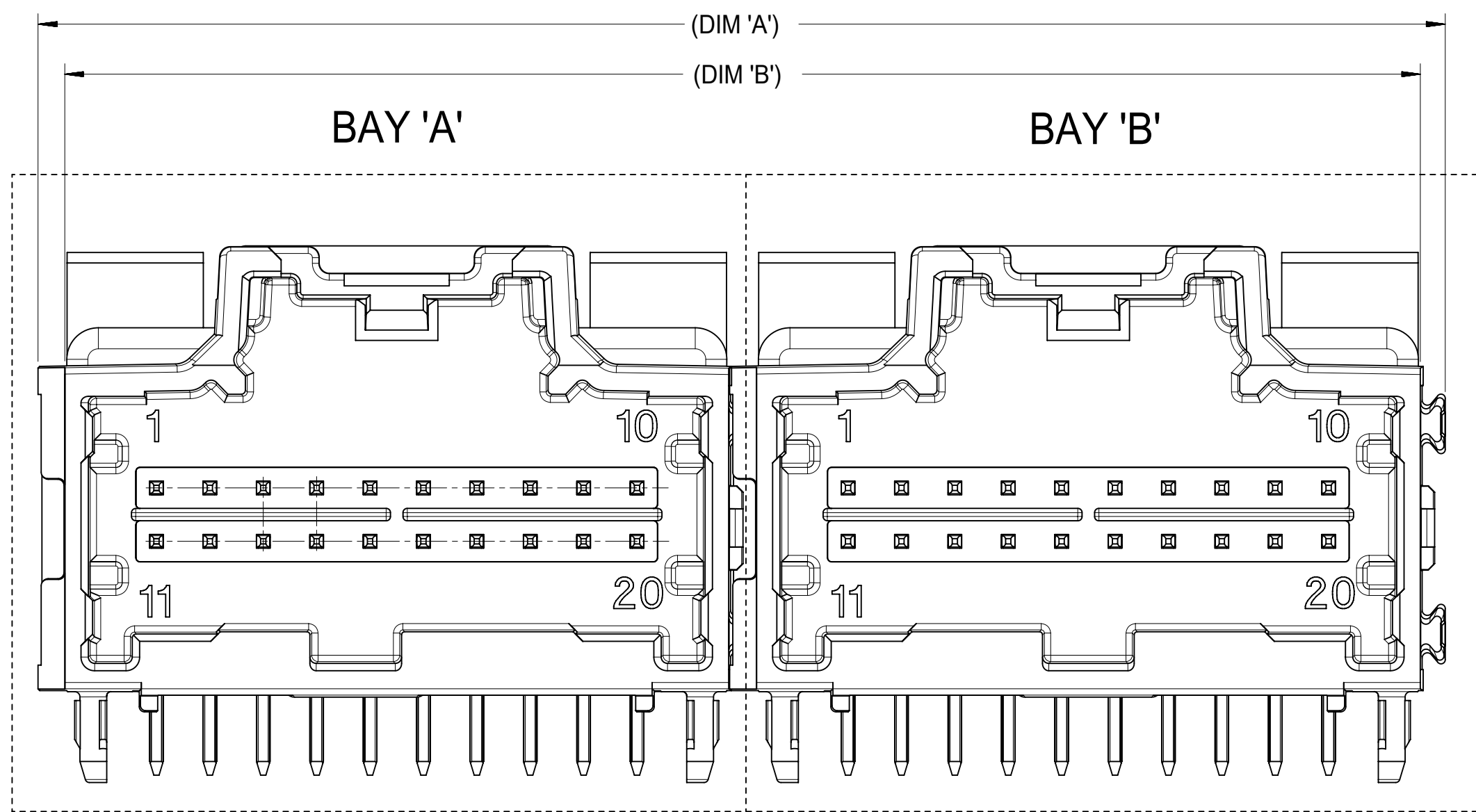
a. UNDERPLATING - OVERALL NICKEL

b. OVERPLATING - OVERALL TIN

4. FOR ADDITIONAL INFORMATION AND DIMENSIONS OF INDIVIDUAL BAYS  
REFER TO THE FOLLOWING SINGLE BAY DRAWINGS:

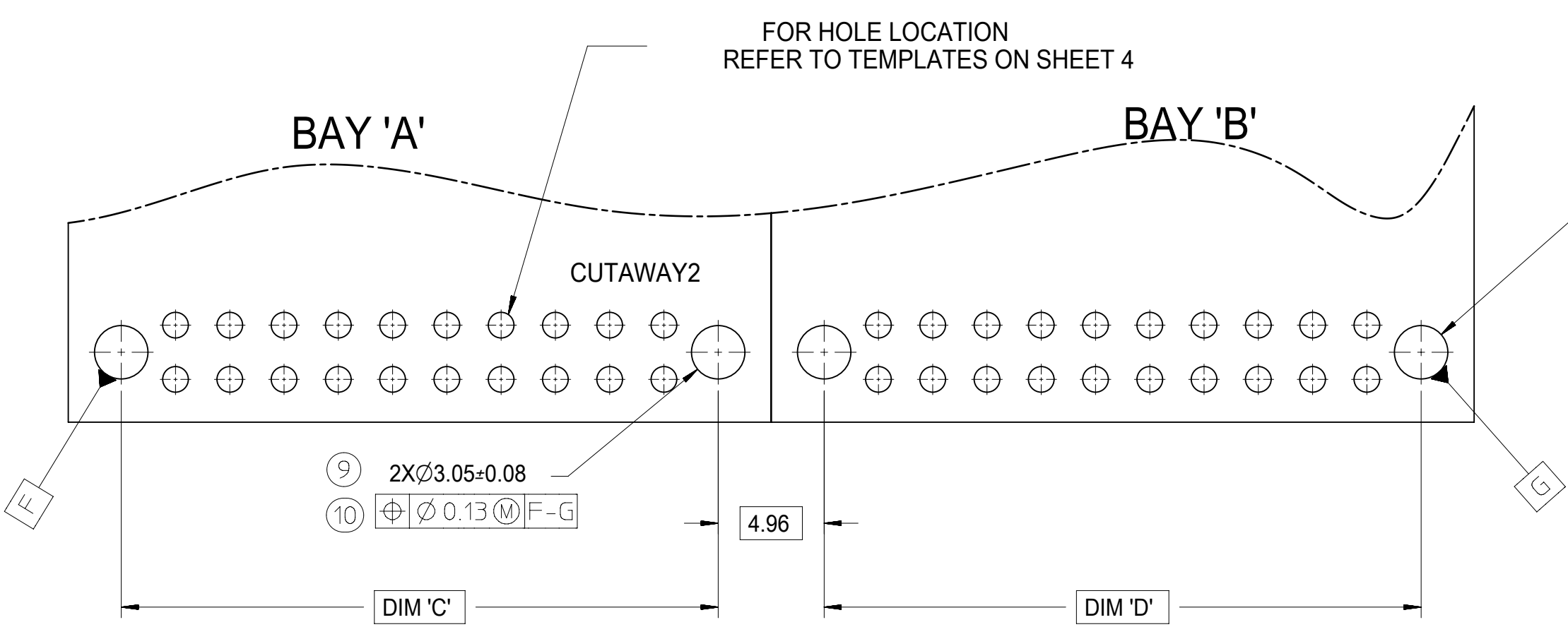
8-20 CKT 0.64: SD-34691-601  
10CKT HYBRID: SD-34696-100  
14CKT HYBRID: SD-34773-010

SYMBOLS	THIS DRAWING CONTAINS INFORMATION THAT IS PROPRIETARY TO MOLEX ELECTRONIC TECHNOLOGIES, LLC AND SHOULD NOT BE USED WITHOUT WRITTEN PERMISSION		CURRENT REV DESC: ADDED NEW P/N 34997-2022 (10HA AND 12A)		
	DIMENSION UNITS mm GENERAL TOLERANCES (UNLESS SPECIFIED) ANGULAR TOL ± 1.0° 4 PLACES ± 3 PLACES ± 2 PLACES ± 0.13 1 PLACE ± 0.25 0 PLACES ± DRAFT WHERE APPLICABLE MUST REMAIN WITHIN DIMENSIONS	SCALE 4:1	EC NO: 618886 DRWN: SHANDITHAVAL 2019/06/11 CHK'D: RBAUMAN 2019/06/11 APPR: RBAUMAN 2019/06/11 INITIAL REVISION: DRWN: JFISCHER01 2013/05/28 APPR: RBAUMAN 2013/05/30	DOCUMENT NUMBER SD-34997-200 DOC TYPE PSD DOC PART 001 REVISION J5	
DOCUMENT STATUS P1 RELEASE DATE 2019/06/11 20:37:32	DRAFT WHERE APPLICABLE MUST REMAIN WITHIN DIMENSIONS		THIRD ANGLE PROJECTION 	DRAWING D-SIZE SERIES 34997	MATERIAL NUMBER SEE TABLE CUSTOMER GENERAL MARKET SHEET NUMBER 1 OF 3



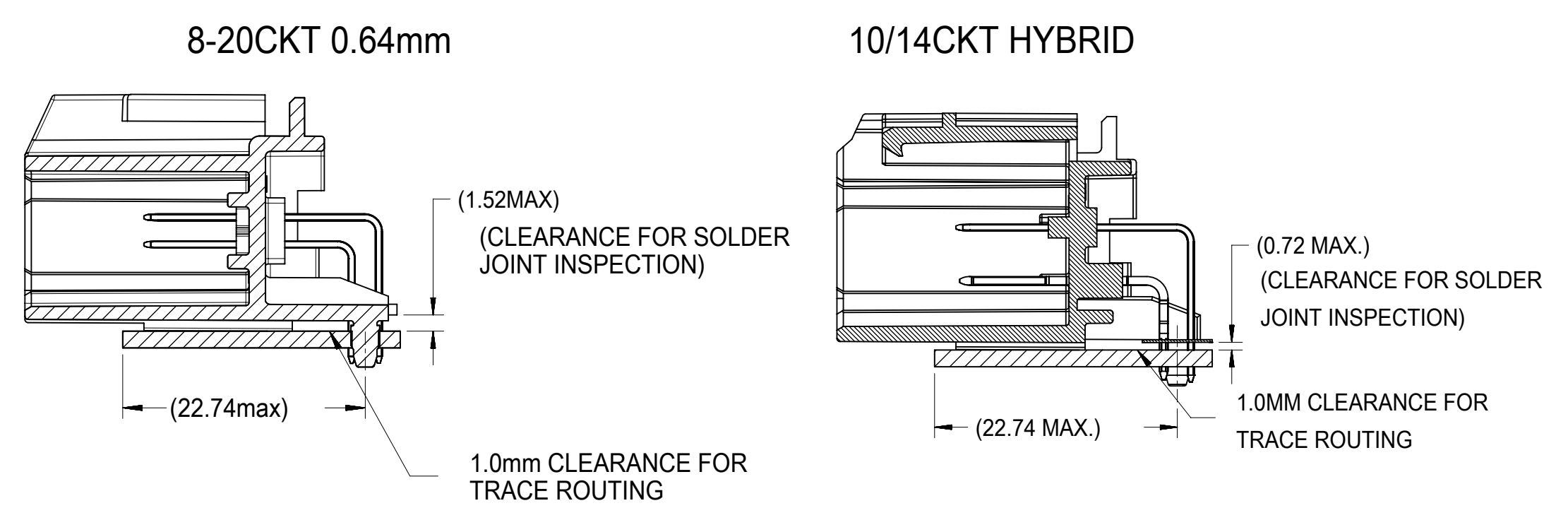
FOR DIM G:	
8-20CKT 0.64mm	18.40 MAX
10/14CKT Hybrid	18.59 MAX

**RECOMMENDED PCB LAYOUT**  
INSERT NECESSARY BAYS USING CHART ON SHEET 1.



**POST HOLE TABLE:**

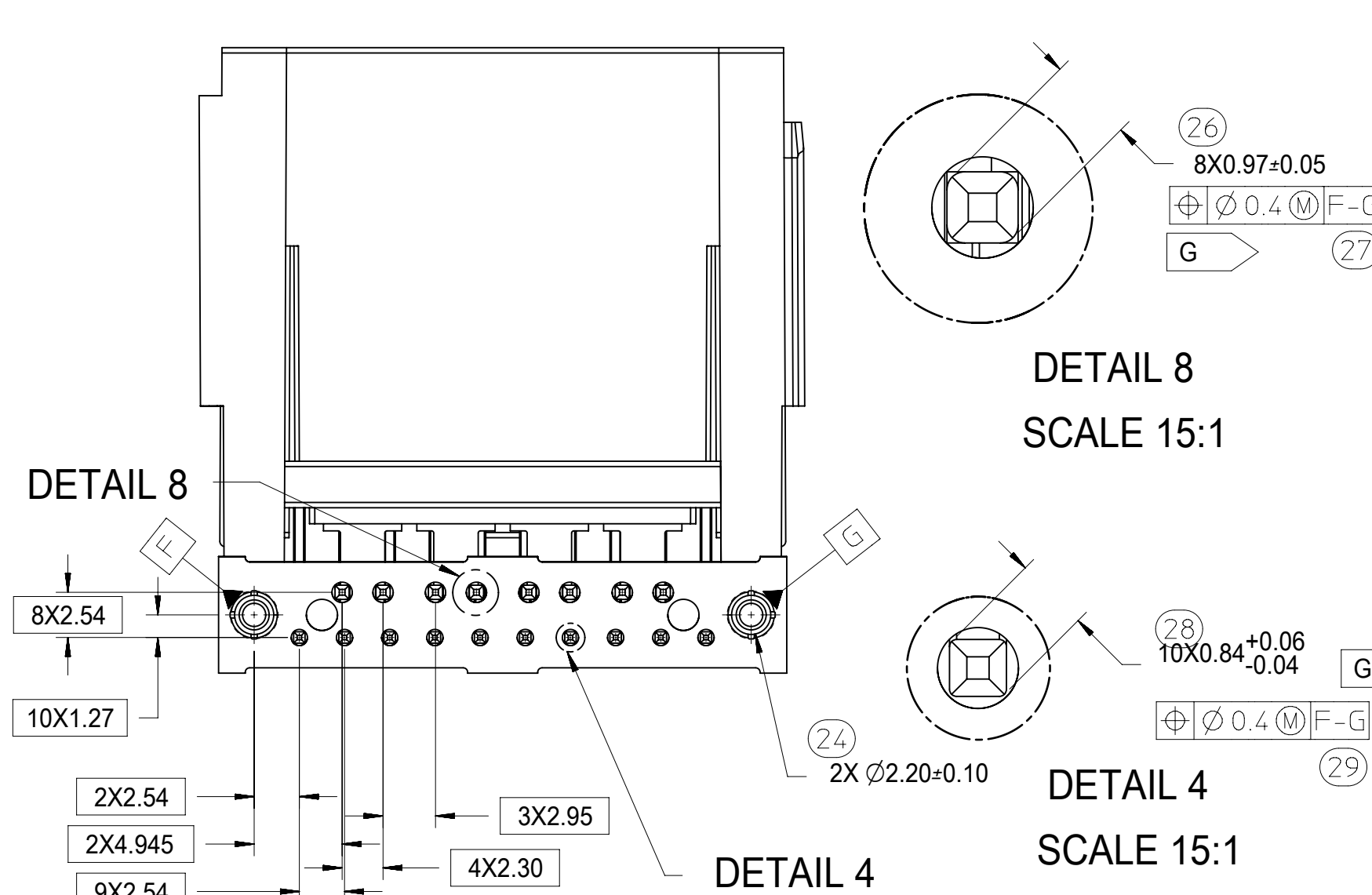
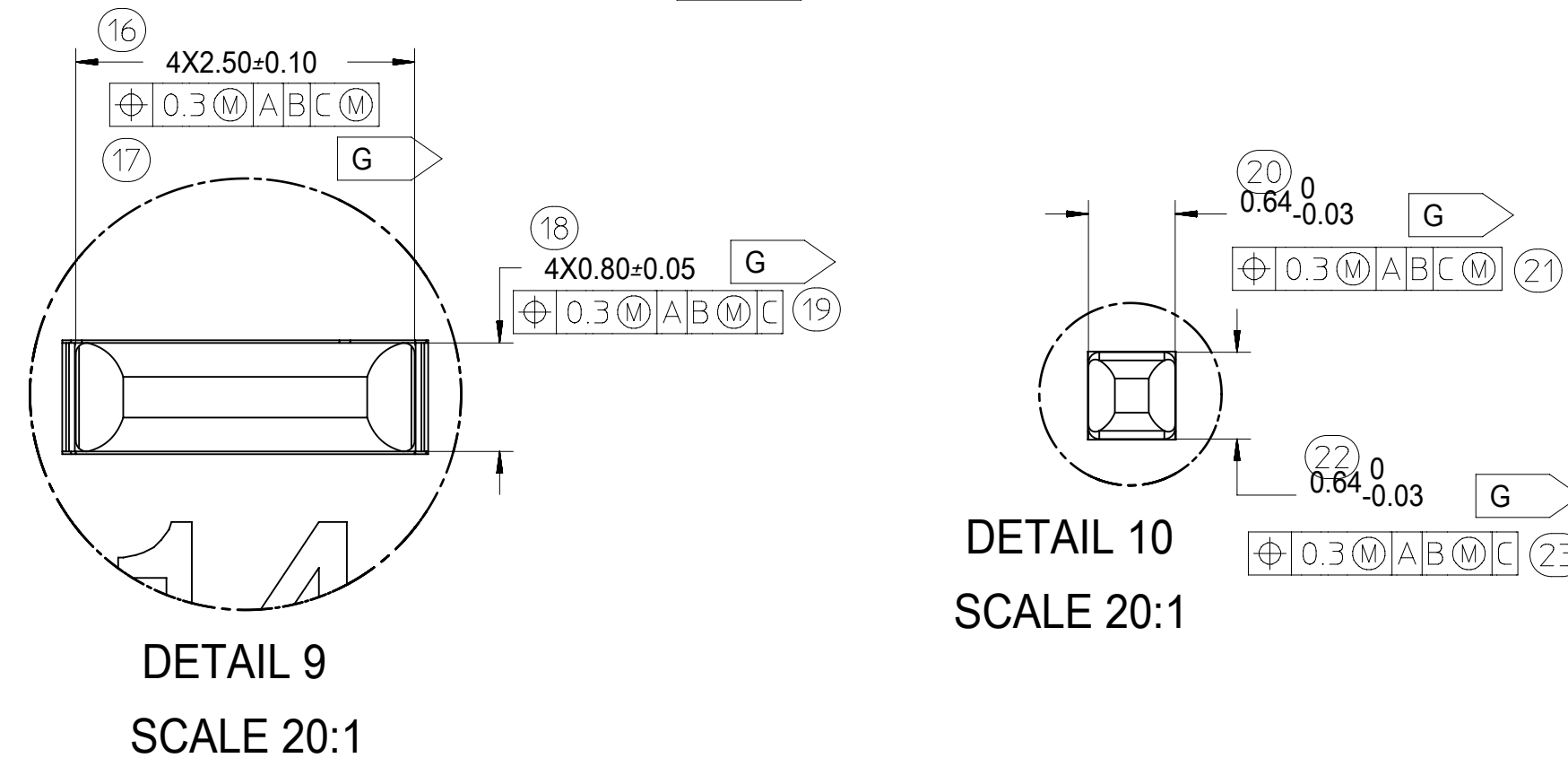
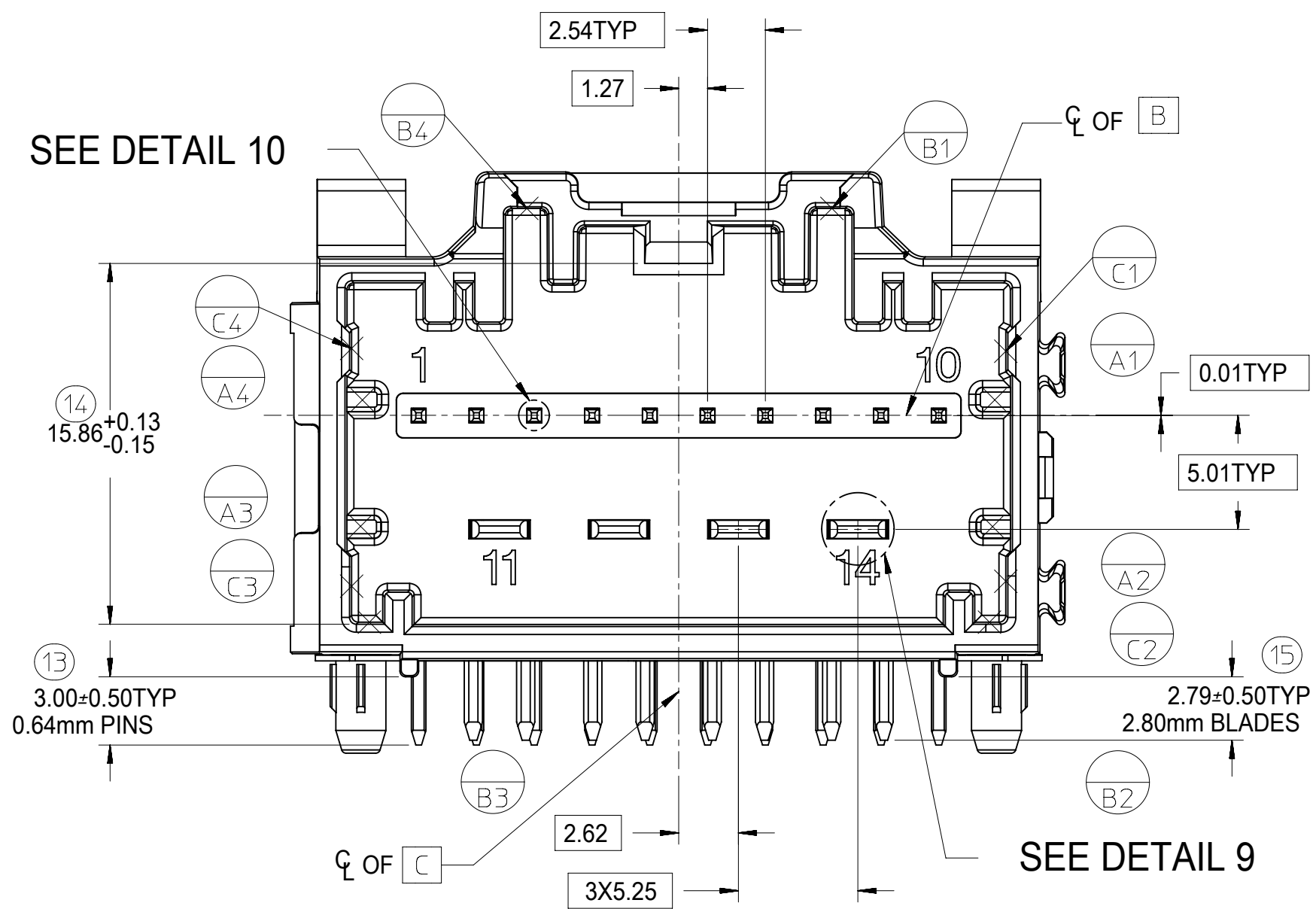
FOR DIM Z:	
PRESS FIT:	2.60
DROP IN:	3.05



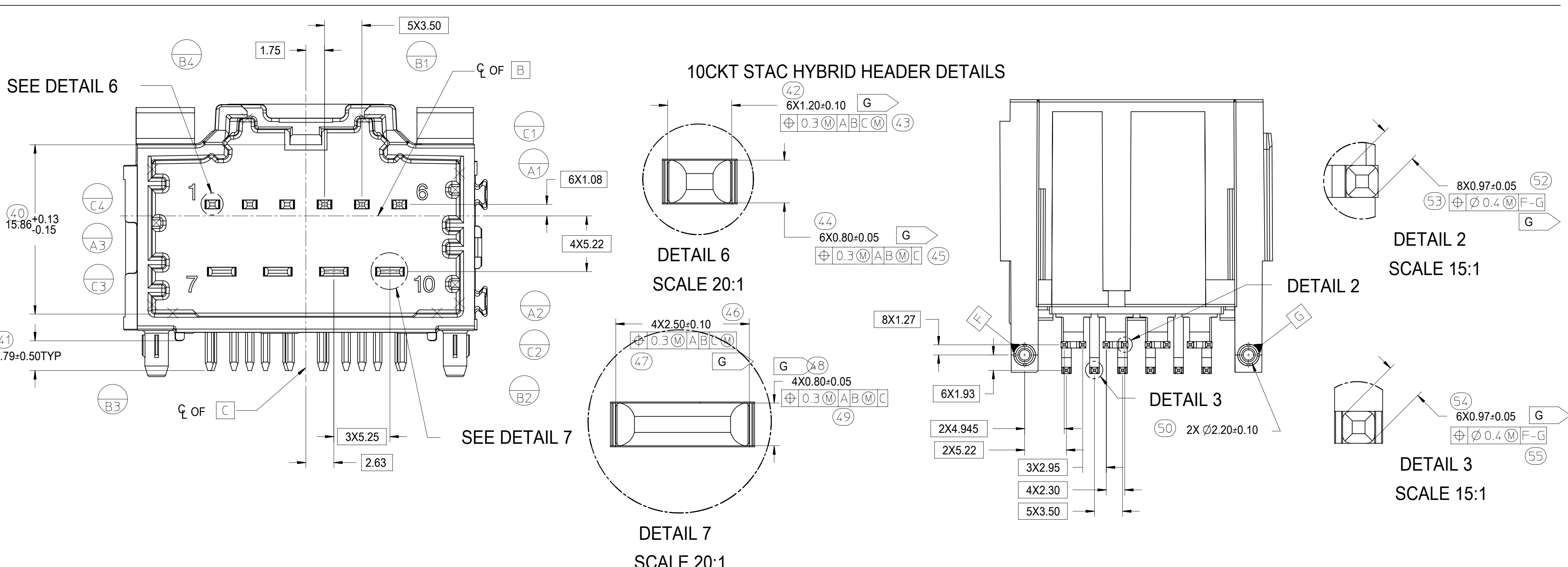
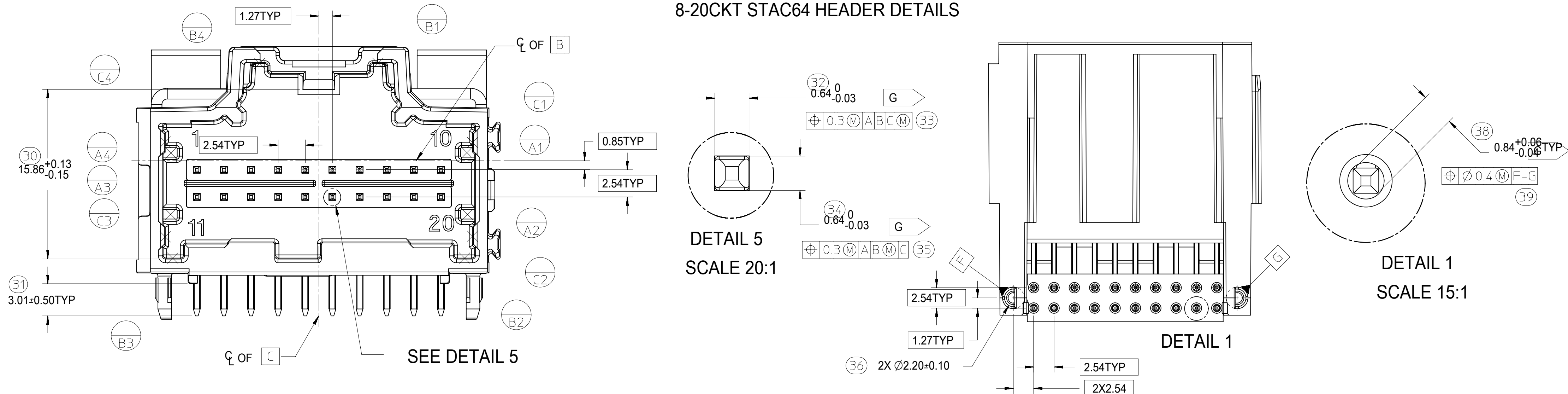
FLUSH MOUNTING:  
HEADER-TO-PCB  
SCALE 2:1

SYMBOLS	THIS DRAWING CONTAINS INFORMATION THAT IS PROPRIETARY TO MOLEX ELECTRONIC TECHNOLOGIES, LLC AND SHOULD NOT BE USED WITHOUT WRITTEN PERMISSION		
	DIMENSION UNITS	SCALE	CURRENT REV DESC: ADDED NEW P/N 34997-2022 (10HA AND 12A)
$\nabla = 0$	mm	4:1	<p><b>molex</b></p> <p>2-BAY STAC64 RIGHT ANGLE PAP LONG PIN HEADER ASSEMBLY SALES DRAWING</p> <p>PRODUCT CUSTOMER DRAWING</p>
$\nabla = 0$	GENERAL TOLERANCES (UNLESS SPECIFIED)		
$\nabla = 0$	ANGULAR TOL $\pm$ 1.0°		
$\nabla = 0$	4 PLACES	$\pm$	
$\nabla = 0$	3 PLACES	$\pm$	
$\nabla = 0$	2 PLACES	$\pm$ 0.13	<p>EC NO: 618886</p> <p>DRWN: SHANDITHAVAL 2019/06/11</p> <p>CHK'D: RBAUMAN 2019/06/11</p> <p>APPR: RBAUMAN 2019/06/11</p>
$\nabla = 0$	1 PLACE	$\pm$ 0.25	
$\nabla = 0$	0 PLACES	$\pm$	
$\nabla = 0$	DRAFT WHERE APPLICABLE MUST REMAIN WITHIN DIMENSIONS		<p>INITIAL REVISION:</p> <p>DRWN: JFISCHER01 2013/05/28</p> <p>APPR: RBAUMAN 2013/05/30</p>
$\nabla = 0$	THIRD ANGLE PROJECTION	DRAWING	SHEET NUMBER
		D-SIZE	34997
		SERIES	34997
		MATERIAL NUMBER	SEE TABLE
		CUSTOMER	GENERAL MARKET
		DOC TYPE	PSD
		DOC PART	001
		REVISION	J5
		DOCUMENT NUMBER	SD-34997-200
		SHEET NUMBER	2 OF 3

14CKT STAC HYBRID HEADER DETAILS



8-20CKT STAC64 HEADER DETAILS



SYMBOLS	THIS DRAWING CONTAINS INFORMATION THAT IS PROPRIETARY TO MOLEX ELECTRONIC TECHNOLOGIES, LLC AND SHOULD NOT BE USED WITHOUT WRITTEN PERMISSION		
	DIMENSION UNITS	SCALE	CURRENT REV DESC: ADDED NEW P/N 34997-2022 (10HA AND 12A)
▽ = 0	mm	4:1	
▽ = 0	GENERAL TOLERANCES (UNLESS SPECIFIED)		
▽ = 0	ANGULAR TOL	± 1.0°	
▽ = 0	4 PLACES	±	
▽ = 0	3 PLACES	±	
▽ = 0	2 PLACES	± 0.13	
▽ = 0	1 PLACE	± 0.25	
▽ = 0	0 PLACES	±	
■ = 0	DRAFT WHERE APPLICABLE MUST REMAIN WITHIN DIMENSIONS		
▽ = 0	THIRD ANGLE PROJECTION	DRAWING	SERIES
		D-SIZE	34997
EC NO: 618886		DRWN: SHANDITHAVAL	2019/06/11
CHK'D: RBAUMAN		2019/06/11	
APPR: RBAUMAN		2019/06/11	
INITIAL REVISION:		DRWN: JFISCHER01	2013/05/28
		2013/05/30	
		APPR: RBAUMAN	
DOCUMENT NUMBER		DOC TYPE	DOC PART
SD-34997-200		PSD	001
CUSTOMER		REVISION	
GENERAL MARKET		J5	
MATERIAL NUMBER		SHEET NUMBER	
SEE TABLE		3 OF 3	