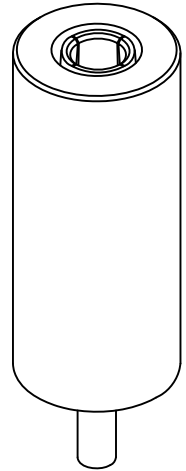
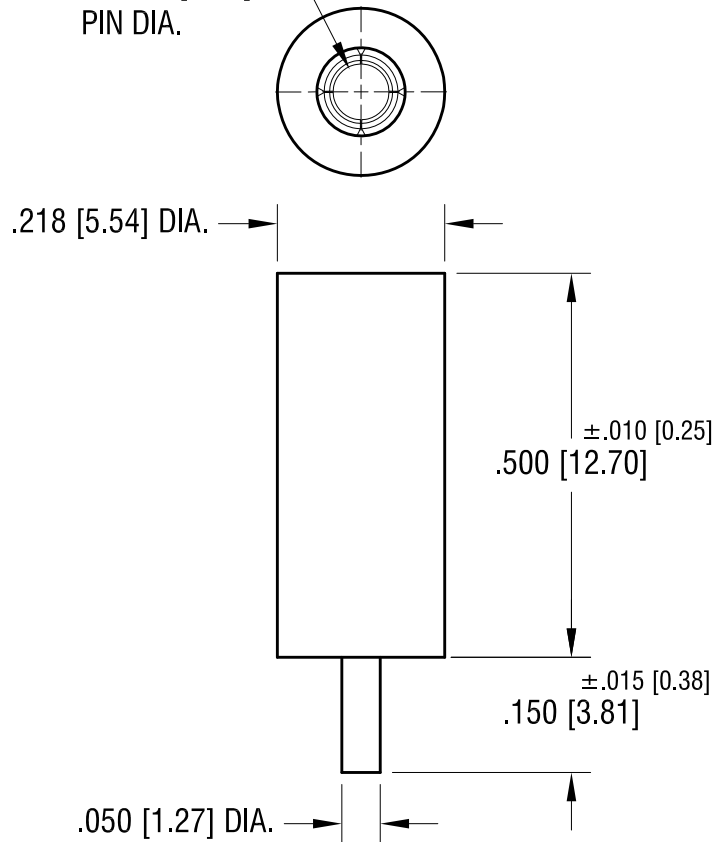


THIS DOCUMENT IS THE PROPERTY OF
KEYSTONE ELECTRONICS CORP. AND
SHALL NOT BE REPRODUCED, DISTRIBUTED
OR USED AS A BASIS FOR MANUFACTURE
WITHOUT PRIOR WRITTEN PERMISSION
FROM KEYSTONE ELECTRONICS CORP.

SPRING CONTACT TO
ACCEPT .080[2.03]
PIN DIA.



NOTES:

1. TERMINAL JACK : MAT'L - BRASS
2. BUSHING: MAT'L - PTFE

PART NO.	COLOR
11012	WHITE
11012-R	RED
11012-B	BLACK

DATE	DESCRIPTION	REV.
1.28.11	CHANGE AS PER ECN 11-009	B
11.17.08	CHAMGE AS PER ECN 08-176	A

KEYSTONE ELECTRONICS CORP.			
www.keyelco.com • ASTORIA, N.Y. 11105-2017 • Tel (718) 956-8900			
PART NAME			
PTFE INSULATED TEST JACK			
MATERIAL			
AS NOTED			
FINISH		DRN BY	DATE
GOLD PLATE		N.T.	7.10.07
		APP'D	SCALE
		LN	4X
TOLERANCES	INCH [MM]	CODE	DWG NO.
DECIMAL	± .005 [± 0.15]	C	11012-
ANGULAR	± 1°		
UNLESS OTHERWISE SPECIFIED			