

4

3

2

1

THIS DRAWING IS UNPUBLISHED.

RELEASED FOR PUBLICATION

20

© COPYRIGHT 20 BY -

ALL RIGHTS RESERVED.

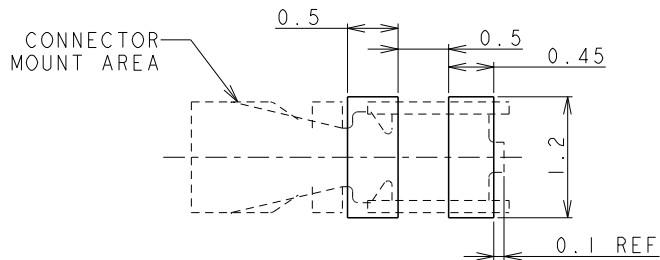
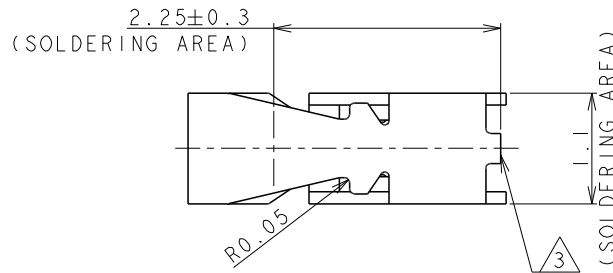
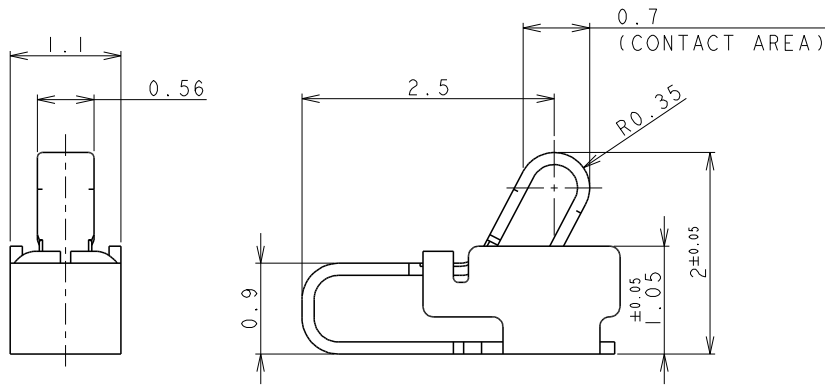
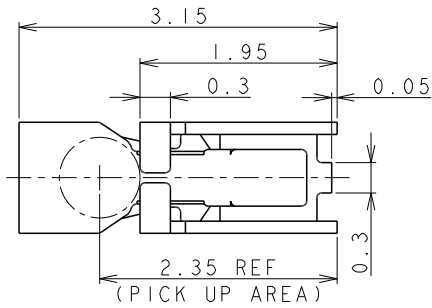
LOC  
J

DIST  
-

REVISIONS

P	LTR	DESCRIPTION	DATE	DWN	APVD
D1		REVISED	25APR2012	T.Z	S.Y
E		REVISED ECR-16-017382	04MAY2017	J.J	W.H

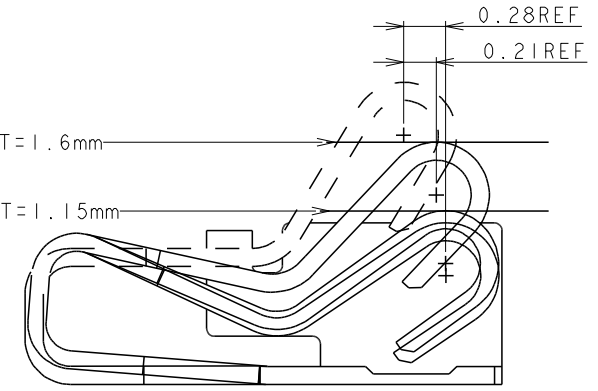
AS SHOWN: -1&-2



PCB LAYOUT (REFERENCE)  
SCALE 20:1

PCB HEIGHT=1.6mm

PCB HEIGHT=1.15mm



STROKE CONDITION (REFERENCE)  
SCALE 30:1

NOTES:

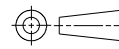
- △ PRE-PLATING SPECIFICATION:  
Ni UNDER PLATING : 0.8um TO 2.0um  
Au PLATING (CONTACT PLATING) : 0.25um TO 0.5um  
Au PLATING (SOLDER PLATING) : 0.05um TO 0.5um
- △ MATERIAL : COPPER ALLOY, THK.=0.12mm
- △ CUTTING BURR : 0.05mm MAX.
- 4 CIRCUMFERENCE BURRS : 0.03mm MIN.
- 5 DISUSED PACKAGEING MATERIAL : DRYPACK AND BAKING PROCESS.
- △ POST-PLATING SPECIFICATION  
Ni UNDER PLATING : 0.8um TO 2.0um  
Au PLATING (CONTACT PLATING) : 0.3um MIN.  
Au PLATING (SOLDER PLATING) : 0.01um TO 0.2um
- 7. NORMAL FORCE AT 1.60mm HEIGHT IS 0.3N MIN.  
NORMAL FORCE AT 1.15mm HEIGHT IS 1.1N MAX.

N/A	△	△	1554901-2
108-78724	△	△	1554901-1
PRODUCT SPEC.	FINISH	MATERIAL	PART NUMBER

THIS DRAWING IS A CONTROLLED DOCUMENT.

DIMENSIONS:  
mm

TOLERANCES UNLESS OTHERWISE SPECIFIED:  
± 0.15



0-PLC	±
1-PLC	±0.5
2-PLC	±0.13
3-PLC	±0.013
4-PLC	±0.0003
ANGLES	±3

MATERIAL



FINISH



DWN 06NOV2009  
Y. KUDO  
CHK 06NOV2009  
C. OHASHI  
APVD 06NOV2009  
Y. NAKAZAWA

PRODUCT SPEC  
SEE TABLE

APPLICATION SPEC

WEIGHT 0.0098g

Customer Drawing

NAME  
- SHIELD FINGER 2011 -



SIZE A3 CAGE CODE 00779 DRAWING NO C=1554901 RESTRICTED TO

SCALE 20:1 SHEET 1 OF 2 REV E

4

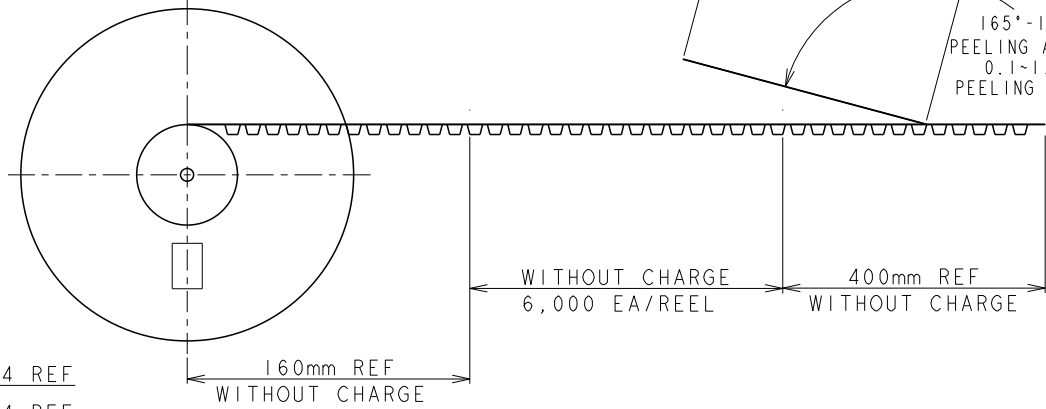
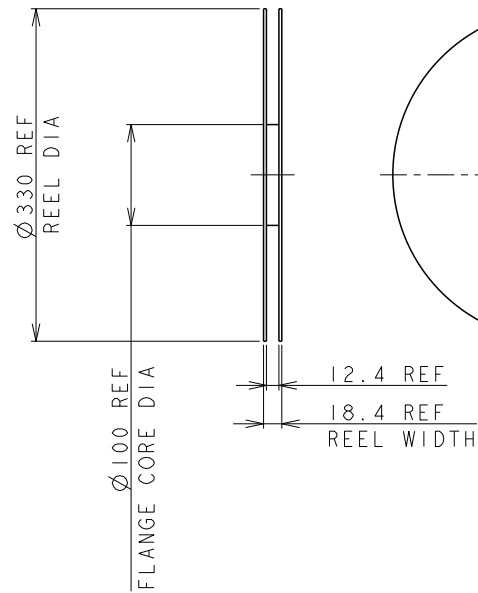
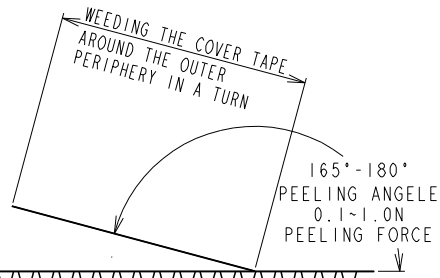
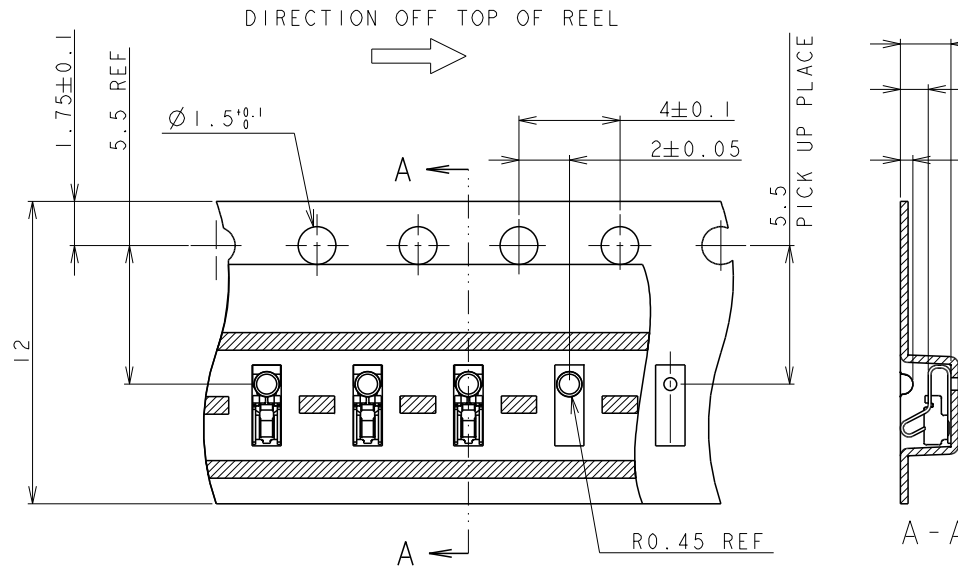
3

2

1

THIS DRAWING IS UNPUBLISHED. RELEASED FOR PUBLICATION 20  
 © COPYRIGHT 20 BY - ALL RIGHTS RESERVED.

LOC	DIST	REVISIONS					
J	-	P	LTR	DESCRIPTION	DATE	DWN	APVD
		-	-	SEE SHEET 1	-	-	-



THIS DRAWING IS A CONTROLLED DOCUMENT.		DWN Y. KUDO 06NOV2009	TE Connectivity	
DIMENSIONS: mm		CHK C. OHASHI 06NOV2009		
TOLERANCES UNLESS OTHERWISE SPECIFIED: ±0.2		APVD Y. NAKAZAWA 06NOV2009	NAME - SHIELD FINGER 2011	
0-PLC ± 1-PLC ±0.5 2-PLC ±0.13 3-PLC ±0.013 4-PLC ±0.000J ANGLES ±3°		PRODUCT SPEC 108-78724	RESTRICTED TO	
MATERIAL		APPLICATION SPEC	SIZE A300779	DRAWING NO C=1554901
FINISH		WEIGHT 0.0098g	SCALE 20:1	SHEET 2 OF 2
		Customer Drawing	REV E	