

D-SUB connector set - VS-09-SET-STD - 1689145

Please be informed that the data shown in this PDF Document is generated from our Online Catalog. Please find the complete data in the user's documentation. Our General Terms of Use for Downloads are valid (<http://phoenixcontact.com/download>)



D-SUB connector set, shell size 1, IP67 degree of protection



Key Commercial Data

Packing unit	1 pc
GTIN	
GTIN	4017918878009

Technical data

Mechanical characteristics

Number of positions	9
Shielded	no
External cable diameter	3 mm ... 9 mm
Cable outlet	Angled
Color	gray
Degree of protection	IP67
Type	D-SUB 9
Size of housing	1
No. of cable outlets	2

Ambient conditions

Ambient temperature (operation)	-40 °C ... 80 °C
---------------------------------	------------------

Material data

Flammability rating according to UL 94	V0
Housing material	PA
Sealing material	Flat gasket: NBR; profile gasket: EPDM
Seal material	Flat gasket: NBR; profile gasket: EPDM
Cable seal material	CR/NBR

D-SUB connector set - VS-09-SET-STD - 1689145

Technical data

Electrical characteristics

Number of positions	9
Degree of pollution	2

Standards and Regulations

Flammability rating according to UL 94	V0
--	----

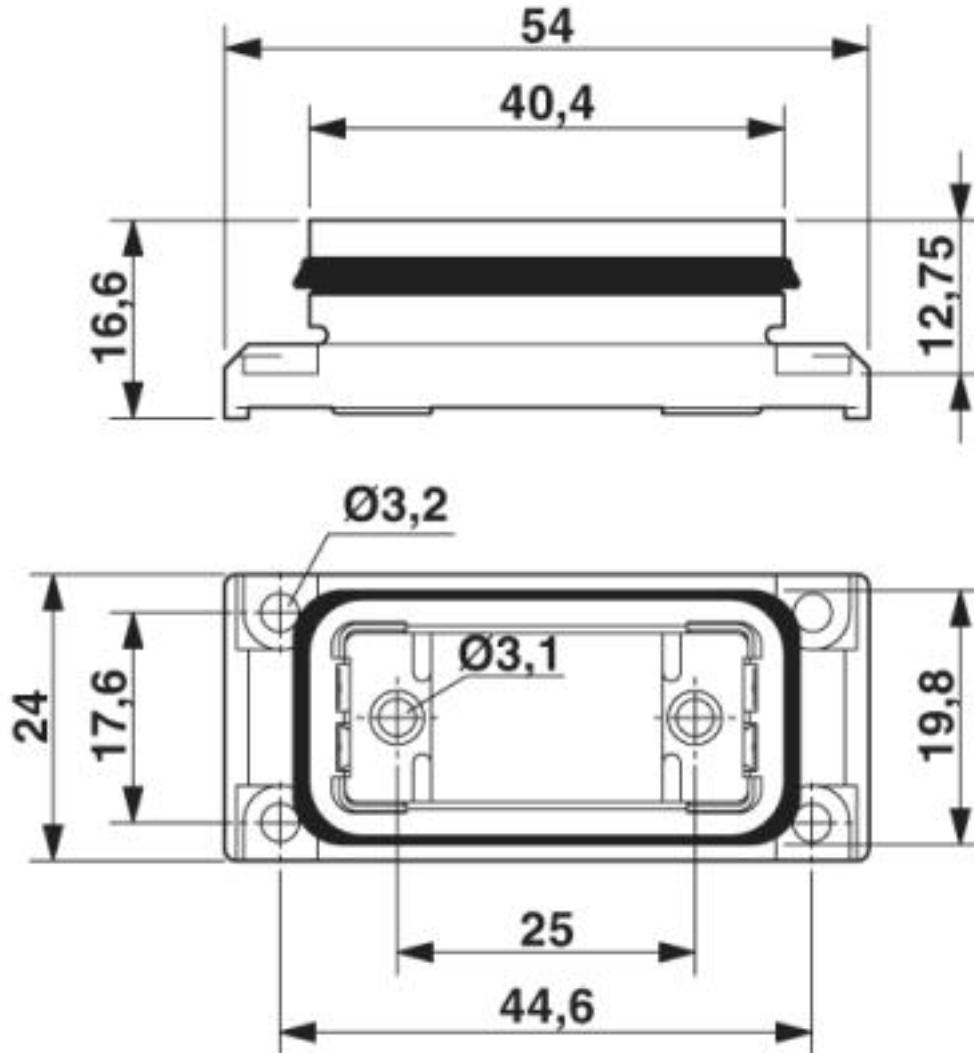
Environmental Product Compliance

China RoHS	Environmentally friendly use period: unlimited = EFUP-e
	No hazardous substances above threshold values

Drawings

D-SUB connector set - VS-09-SET-STD - 1689145

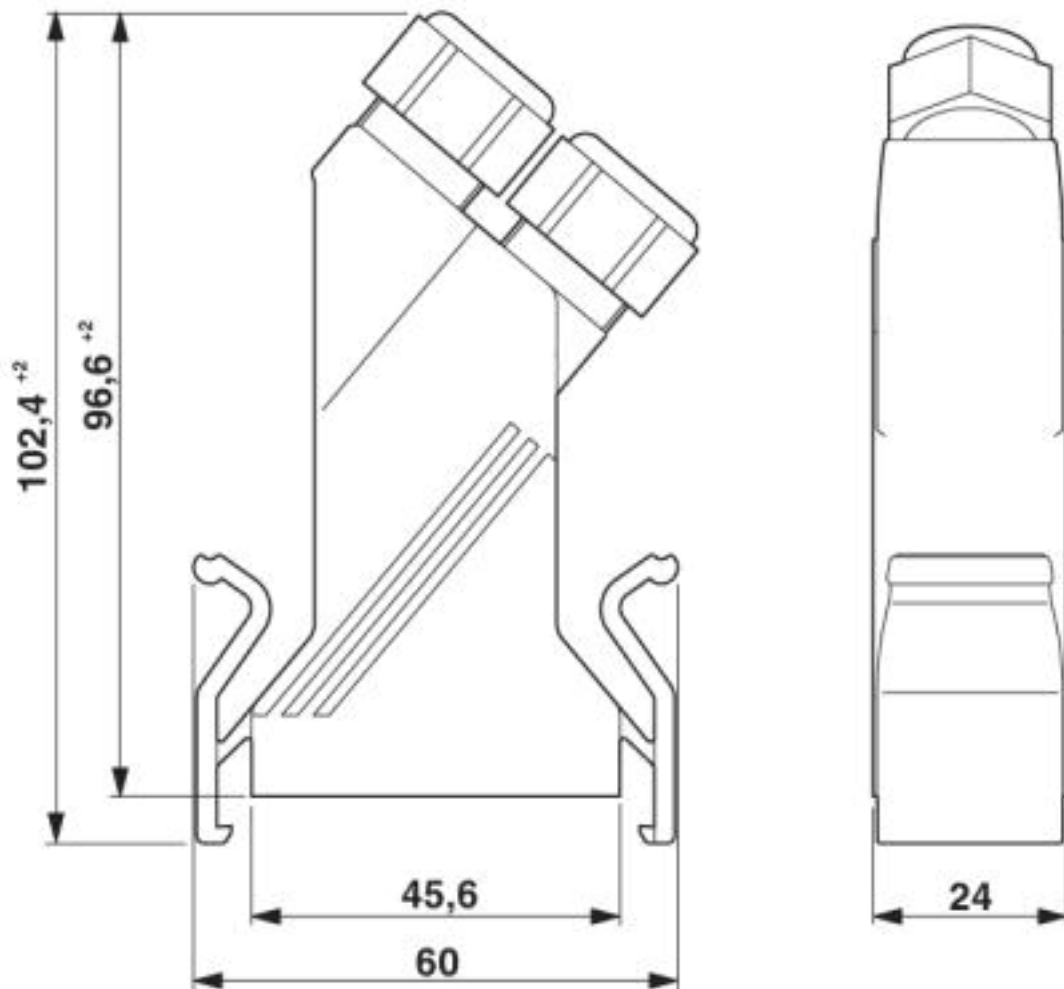
Dimensional drawing



D-SUB panel mounting frame

D-SUB connector set - VS-09-SET-STD - 1689145

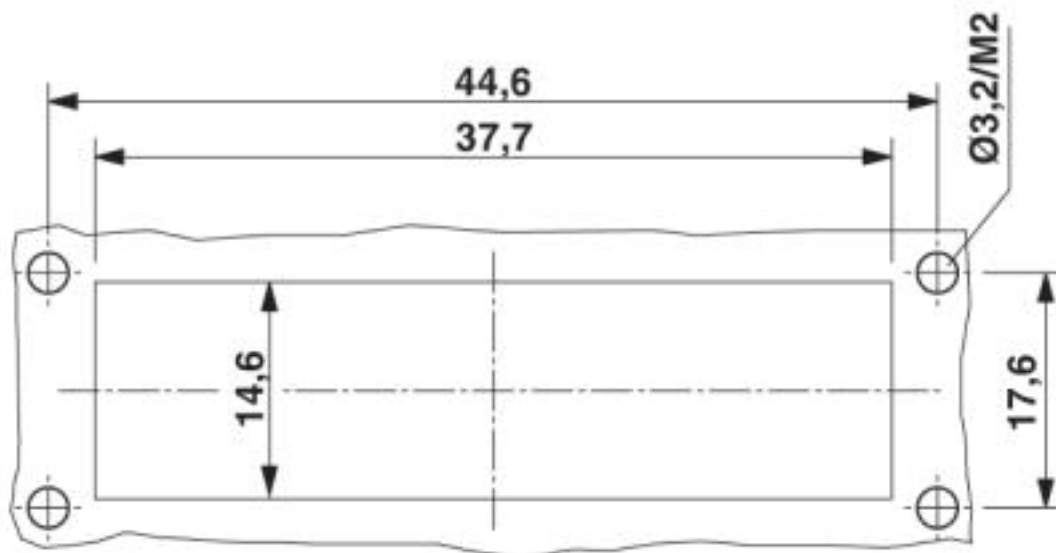
Dimensional drawing



D-SUB sleeve housings

D-SUB connector set - VS-09-SET-STD - 1689145

Dimensional drawing



Mounting cutout

Approvals

Approvals

Approvals

EAC

Ex Approvals

Approval details

EAC		B.01742
-----	--	---------

Phoenix Contact 2019 © - all rights reserved
<http://www.phoenixcontact.com>

PHOENIX CONTACT GmbH & Co. KG
Flachsmarktstr. 8
32825 Blomberg
Germany
Tel. +49 5235 300
Fax +49 5235 3 41200
<http://www.phoenixcontact.com>