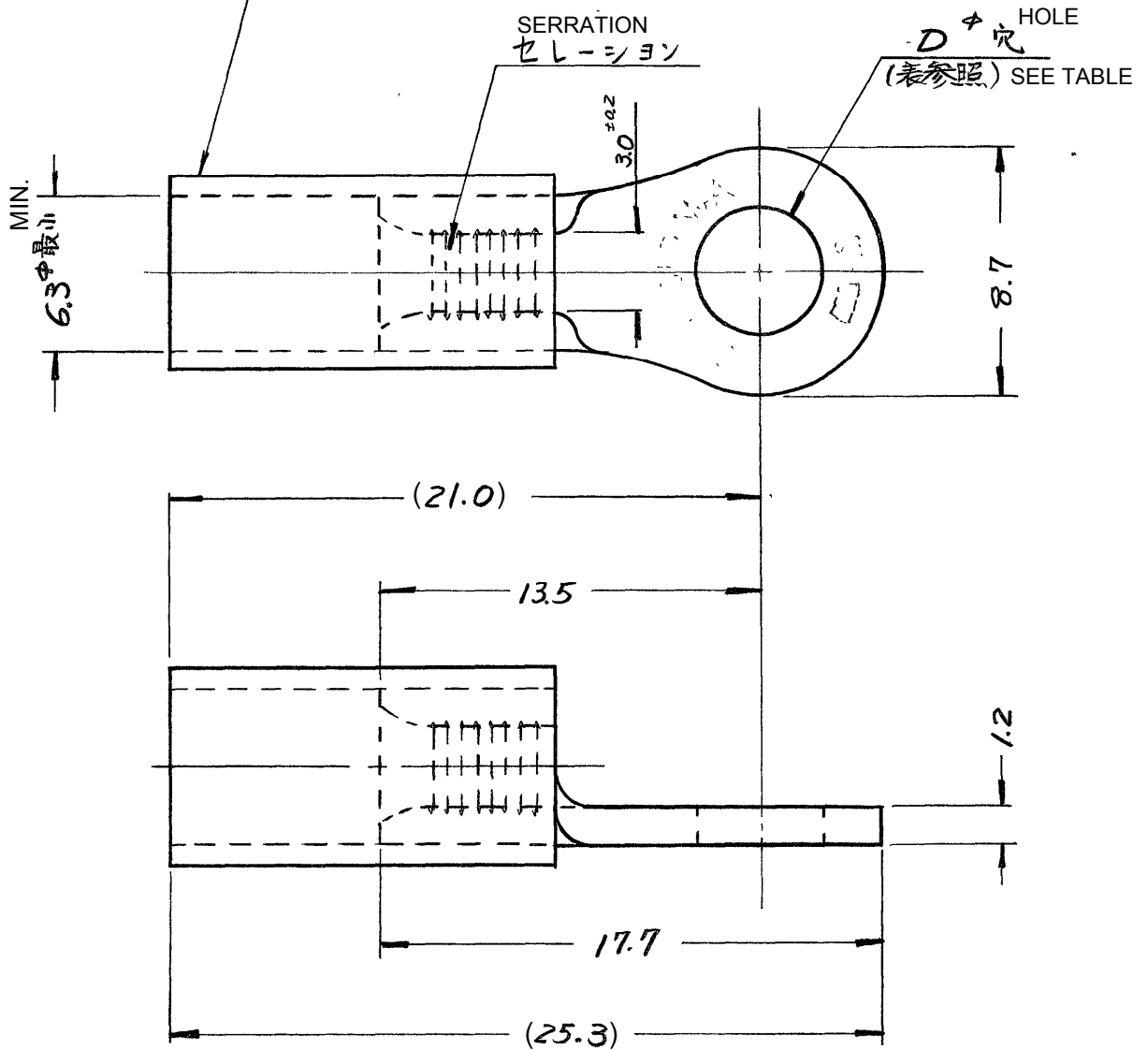


番号 (NUMBER)
C-170647

SEMI-TRANSPARENT INSULATION SLEEVE
半透明絶縁被覆



PARTS NUMBER	CUSTOMER (JAPAN RAILWAY) SPEC	DIMENSION D	キリング
170647-1	ED 562683, PS 2-4	4.3	2-4
170647-2	ED 562683, PS 2-5	5.3	2-5

JIS 呼称
マーク無し

単位：耗 DIMENSIONS IN MM. DO NOT SCALE PRINT

PRINT DIST

				© 1966 BY AMP (Japan), Ltd. ALL RIGHTS RESERVED. AMP PRODUCTS COVERED BY PATENTS AND/OR PATENTS PENDING		参考図面 (CUSTOMER COPY) REFERENCE ONLY	
材料 (MATERIAL) COPPER 電気銅				TE Connectivity			
C	REVISED PER ECR-17-017886	E.T	N.Y	08DEC17	仕上 (FINISH) ANNEAL, TIN PLATING 焼ナマシ, 錫メッキ		
B	Change Applicable Body	Y.O	N.Y	23JAN17	抱合電線断面積 (WIRE RANGE) 1.04 ~ 2.63 mm ² (AWG #16-14HD)		
A	CHANGED ED NO. (P-DWG REV. 0)	S.K	16.02	9/16/67	分類 (CLASS) 丸型 RING		
O	Rel.	OR		10/11/68	被覆外径 (INSULATION DIA.) 上図参照 mm (— IN)		
LTR.	変更 (REVISION RECORD)	DR.	CHK.	DATE	一般公差 (TOLERANCE) EXCEPT AS NOTED	±0.5	±1.0
DR.	N. IRIE 10.11.66	DE.			尺度 (SCALE)	4-1	
CHK.	1800766	APP.		10/14/66	LOC	JA	番号 (NO) C-170647
				名称 (NAME) PG RING TERMINAL 絶縁被覆端子			