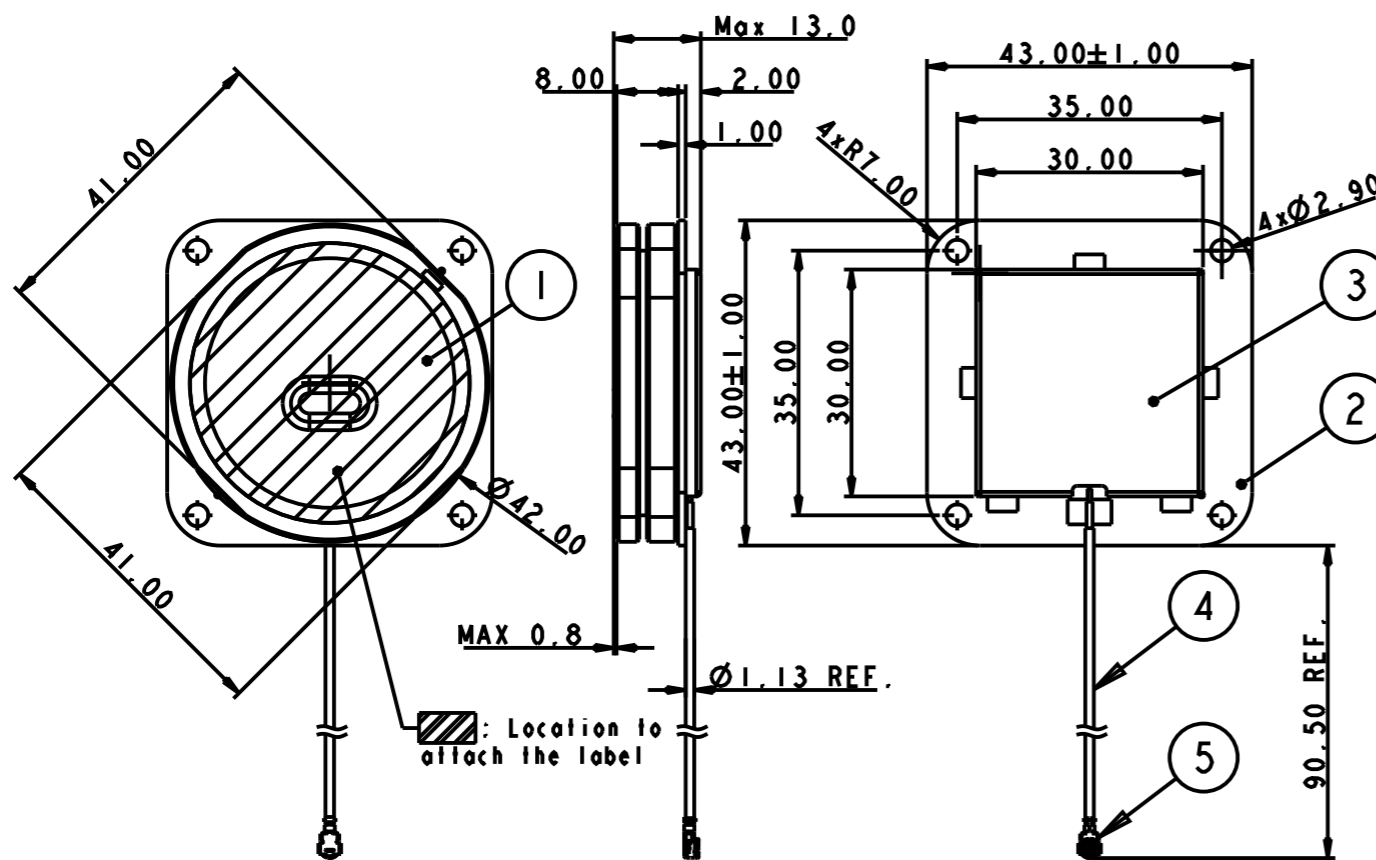


P	LTR	DESCRIPTION	DATE	DWN	APVD
	A	PRODUCTION RELEASED	12MAY2021	DW	JH

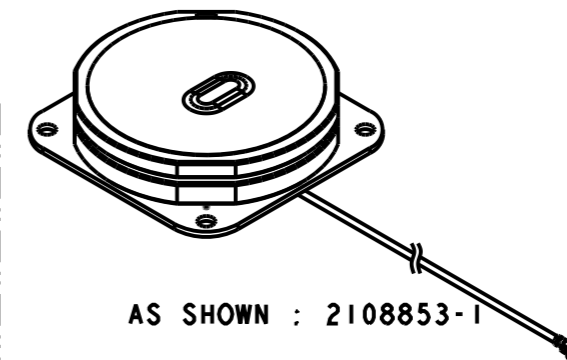
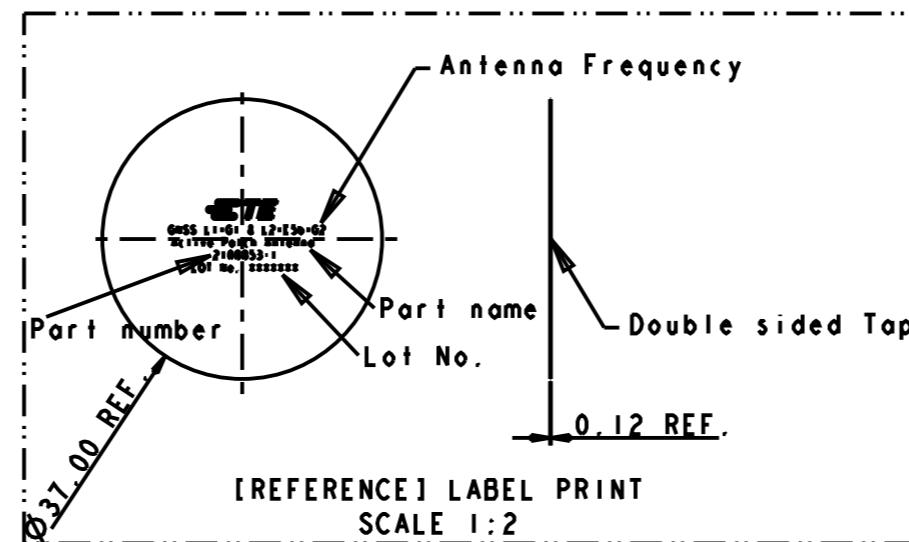



NOTES

1. MATERIAL : REFER TO TABLE
2. CONSULT TE CONNECTIVITY DATA SHEET DS2108853.
3. PACKAGING : TRAY

TABLE .

ITEMS	SPECIFICATION	Q'TY
① CERAMIC	SIZE : 41.0x41.0x8.0 mm	1
② PCB	FR4, SIZE : 43.0x43.0x1.0 mm	1
③ SHIELDING	SIZE : 30.0x30.0x1.0 mm	1
④ CABLE	OD 1.13 mm	1
⑤ CONNECTOR	MHF 1 (ECT PN : 818000089)	1



THIS DRAWING IS A CONTROLLED DOCUMENT.		DWN DW.PARK 17FEB2021	 TE Connectivity	
DIMENSIONS: mm		CHK H.SHIN 17FEB2021		
TOLERANCES UNLESS OTHERWISE SPECIFIED:		APVD JH.KIM 17FEB2021	NAME Active ant.,MHF,100mm, L1+G1 AND L2+E5b+G2	
0 PLC ±-		PRODUCT SPEC	SIZE	
1 PLC ±-		APPLICATION SPEC	CAGE CODE	
2 PLC ±-			DRAWING NO	
3 PLC ±-			RESTRICTED TO	
4 PLC ±-			A300779 C-2108853	
ANGLES ±-				
MATERIAL		WEIGHT		
FINISH		CUSTOMER DRAWING	SCALE 1:1 SHEET 1 OF 1 REV A	