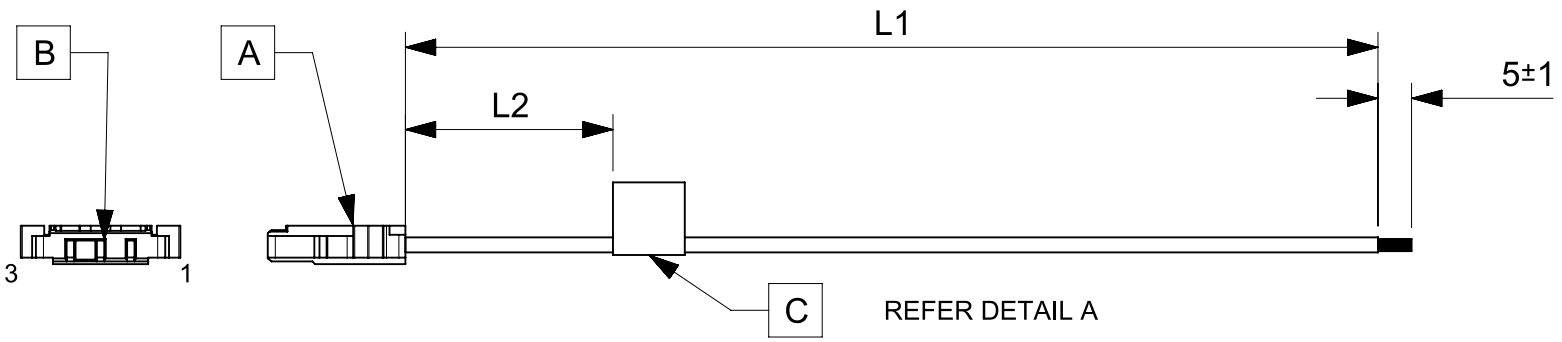


| ITEM | PART# | DESCRIPTION | QTY | UOM |
|------|------------|---|-----|-----|
| A | 2053410203 | PICO-LOCK 2.0 W/B REC HSG 3P | 1 | PC |
| B | 2053425028 | PICO-LOCK 2.0 W/B REC TERM PL AWG#20-22 | 3 | PC |
| C | -- | PAPER PRINTED PAPER WHITE | 1 | PC |

| FROM | TO | DESCRIPTION | COLOR |
|------|----|--------------------------------|-------|
| A1 | -- | 1X20AWG DISC SR-PVC BK UL10002 | BLACK |
| A2 | -- | 1X20AWG DISC SR-PVC BK UL10002 | BLACK |
| A3 | -- | 1X20AWG DISC SR-PVC BK UL10002 | BLACK |



| TABLE | | | |
|-------------|-------|----------|--------------------------------------|
| PART NUMBER | L1 | L2 (REF) | TITLE |
| 2196572030 | 50±3 | 15 | Pico-Lock 2.0 R-S 3ckt 50mm disc Au |
| 2196572031 | 100±3 | 15 | Pico-Lock 2.0 R-S 3ckt 100mm disc Au |
| 2196572032 | 150±4 | 15 | Pico-Lock 2.0 R-S 3ckt 150mm disc Au |
| 2196572033 | 300±4 | 15 | Pico-Lock 2.0 R-S 3ckt 300mm disc Au |
| 2196572034 | 600±6 | 15 | Pico-Lock 2.0 R-S 3ckt 600mm disc Au |

- NOTES**
1. Connector view shown is from mating side.
 2. Label text must be 2mm max. in height with Arial font.
 3. Label must be wrapped in Flag type on a single cable.
 4. Free ends must be stripped, twisted & tinned. The length of tinning is 5±1mm. Tinning Dia must be 1.25mm Max.

MOLEX P/N
MOLEX
BATCH WK/YR
DETAIL A

| REVISION | | | |
|------------|-----|-----------------|---------|
| DATE | REV | DESCRIPTION | CHANGER |
| 2021/12/27 | A | INITIAL RELEASE | SAIKIG |

| | | | | | | | | | |
|--|--|---|---|--|--|-------------------------------|---------------------------------|-------------------------|-------------------------------------|
| FUNCTIONAL SYMBOLS $\frac{F}{A} = 0$ $\frac{F}{E} = 0$ $\frac{F}{P} = 0$ | THIS DRAWING CONTAINS INFORMATION THAT IS PROPRIETARY TO MOLEX ELECTRONIC TECHNOLOGIES, LLC AND SHOULD NOT BE USED WITHOUT WRITTEN PERMISSION | | CURRENT REV DESC: | | | | | | |
| | DIMENSION UNITS mm | SCALE NTS | EC NO: 690897 DRWN: SAIKIG 2021/12/27 CHK'D: MNARAYAN01 2022/01/13 APPR: MNARAYAN01 2022/01/13 | | | SEE TABLE | | | |
| | GENERAL TOLERANCES (UNLESS SPECIFIED) | | INITIAL REVISION: DRWN: SAIKIG 2021/12/27 APPR: MNARAYAN01 2022/01/13 | | | | PRODUCT CUSTOMER DRAWING | | |
| | ANGULAR TOL ± ° | 4 PLACES ± 3 PLACES ± 2 PLACES ± 1 PLACE ± 0 PLACES ± | DRAFT WHERE APPLICABLE MUST REMAIN WITHIN DIMENSIONS | | | THIRD ANGLE PROJECTION | DRAWING A4-SIZE | SERIES 219657 | MATERIAL NUMBER SEE TABLE |