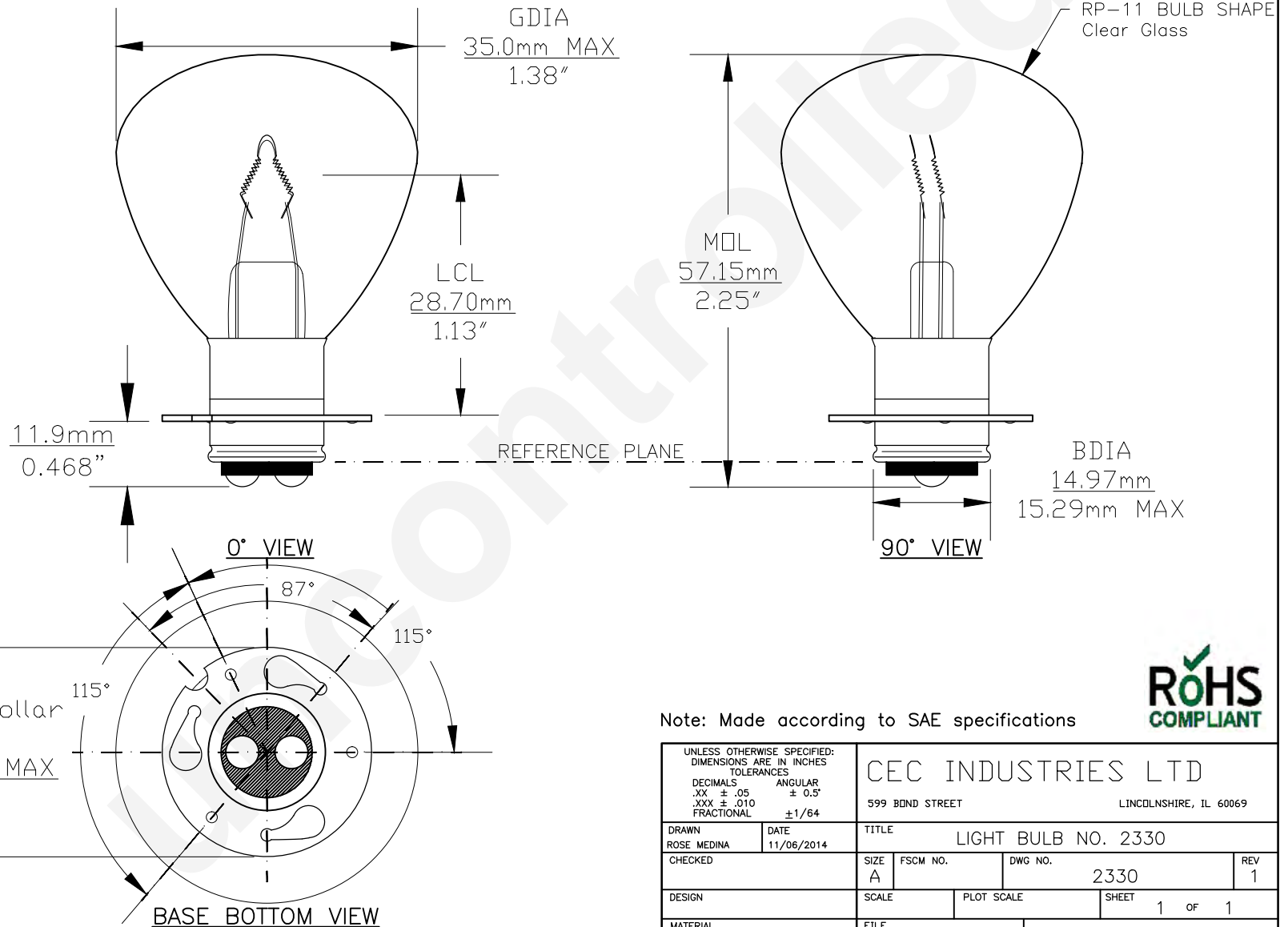




Since 1959

PART NO.	BASE TYPE	DESIGN VOLTS	DESIGN AMPS	MSCD	FILAMENT TYPE	AVERAGE LIFE HOURS	REVISIONS			
							REV #	DESCRIPTION	DATE	APPROVED
2330	D.C. Prefocus A (P15d30A)	6.2V 6.2V	4.13±15% 4.13±15%	32±30% 32±30%	C-2V C-2V	200 200	1	ISSUED	11/06/2014	R.M.



Note: Made according to SAE specifications



UNLESS OTHERWISE SPECIFIED: DIMENSIONS ARE IN INCHES TOLERANCES		CEC INDUSTRIES LTD	
DECIMALS .XX ± .05 .XXX ± .010 FRACTIONAL ± 1/64	ANGULAR ± 0.5°	599 BOND STREET	LINCOLNSHIRE, IL 60069
DRAWN ROSE MEDINA	DATE 11/06/2014	TITLE LIGHT BULB NO. 2330	
CHECKED	SIZE A	FSCM NO.	DWG NO. 2330
DESIGN	SCALE	PLOT SCALE	REV 1
MATERIAL	FILE 2330.pdf	SHEET 1 OF 1	DRAWING NOT TO SCALE