

Ratings

Temperature: -40 ~ 70 °C

ConductorGauge: 28 AWG, 0.081 mm²

Material: tinned copper strands

Stranding: $\phi 0.05 \times 40$ Resistance at 20 °C: 240 Ω /km**Insulator**

Material: HDPE

Color: black, white, yellow, red

Outer diameter: $\phi 0.7 \pm 0.10$ mm

Nominal thickness: 0.15 mm

Resistance at 20 °C: 1000 M Ω /km**Shield**

Type: spiral

Material: tinned copper strands

Strand size: $\phi 0.08$ mm

Coverage: 90 % minimum

Outer jacket

Material: TPU, 70 °C

Color: black

Nominal thickness: 0.50 mm

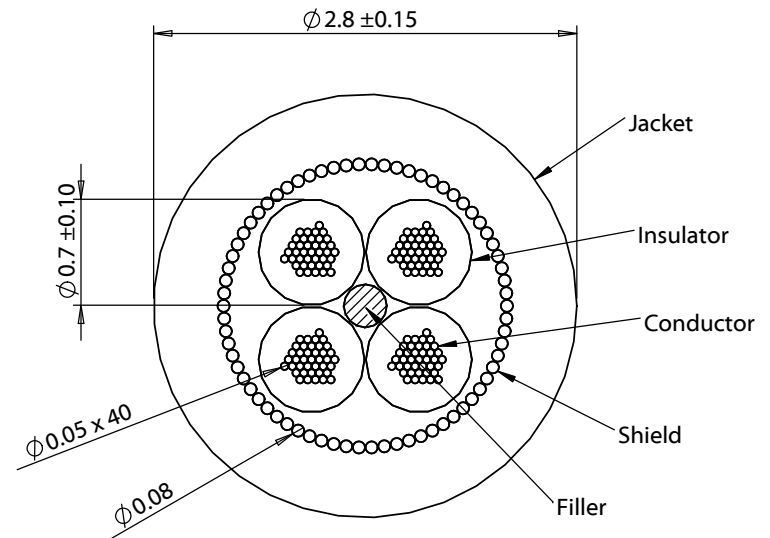
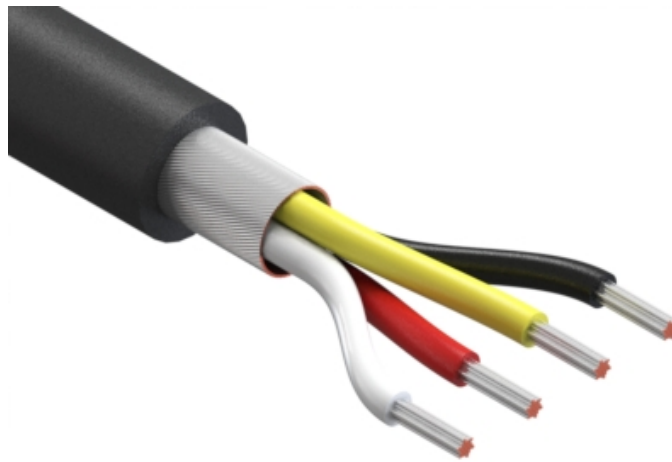
Diameter: $\phi 2.8 \pm 0.15$ mm**Filler**

Material: aramid fiber

Tests

Tensile strength: 35.7 kgf

Dielectric test: 1500 V dc for 1 minute without breakdown

Bend test at 200 g, $\pm 90^\circ$, 30 cycles /min: 15,000 cycle minimum

REVISION	DATE	DESCRIPTION
A	7/31/2015	Initial release
A1	1/13/2016	Updated notes, corrected tolerances
A2	1/17/2019	Changed filler material to generic name

PREPARED:

VERIFIED:

DIMENSIONS ARE IN MILLIMETERS

TOLERANCES:
 X: ± 0.5 mm
 X.X: ± 0.3 mm
 X.XX: ± 0.05 mm

NOTES

RoHS and REACH compliant

Jacket meets ISO 10993 for biological compatibility

Phthalate and halogen free

Function test: no open, no short, no intermittent

DESCRIPTION:

Wire, 4C TS, 28 AWG, 150V, 70C, 2.8 mm, spiral shield, TPU

TENSILITY

20802 Sockeye Place #130

Bend, OR 97701 USA

tel 541.323.3228 fax 541.323.4202

800 877.670.7118 www.tensility.com

SIZE

A

PART NUMBER

30-00491

SCALE: 1:1

SHEET 1 OF 1