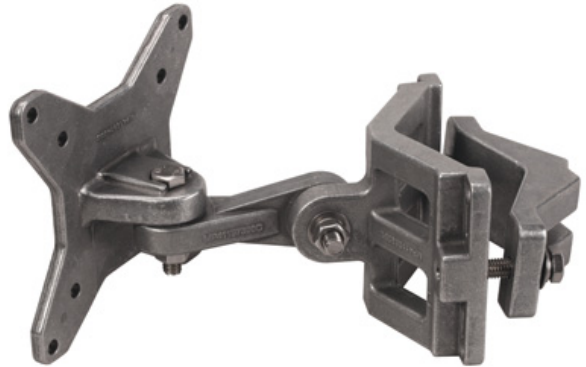


## Planar Antenna Downtilt Bracket 9091.99.0183

### Description

---

Mounting bracket for SPOT-L antennas  
Down - sidetilt bracket



### Technical Data

---

#### Mechanical Data

Weight	0.86 kg
Dimensions (mm)	115 x 115 x 225 (Height x Width x Depth)
Mast diameter (mm)	25 - 76
Material	Aluminium

Material of fasteners (screws, hex nuts and washers): Stainless steel, quality A2 or higher

Azimuth resolution step: 2° on wall

Tilt resolution step: 2° on pole and wall

Payload: 20 kg max.

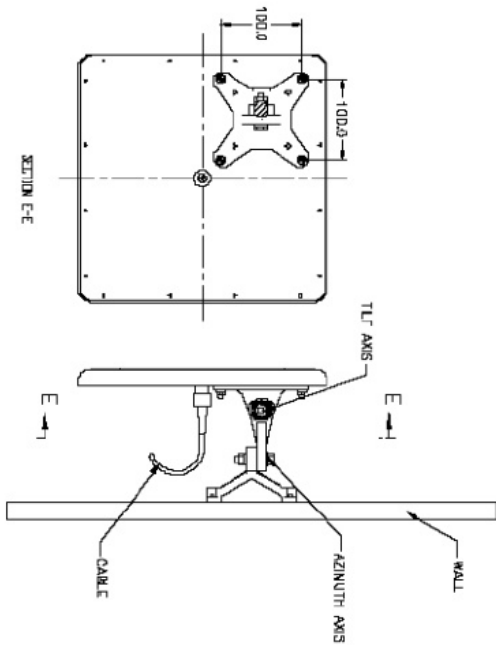
#### Environmental Data

2011/65/EU (RoHS - including 2015/863 and 2017/2102)	compliant
------------------------------------------------------	-----------

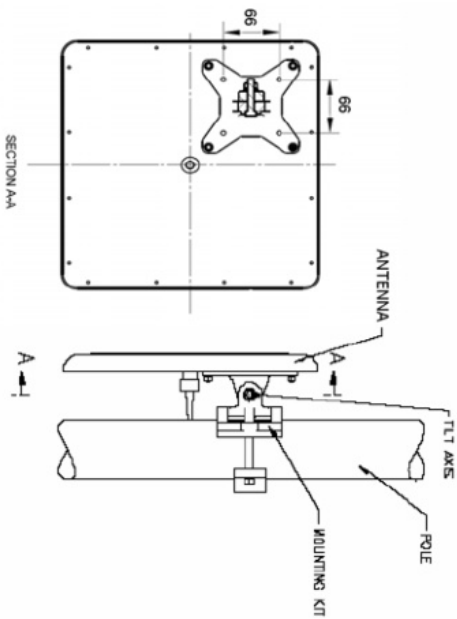
#### Related Documents

Mounting instruction	DOC-0000225623
Painting instruction	DOC-0000256180
Security instruction	DOC-0000278984
Outline drawing1	DPR-00270729
3D-model (Step)	DOC-0000464656

## Planar Antenna Downtilt Bracket 9091.99.0183



MOUNTING KIT FOR WALL



MOUNTING KIT FOR POLE