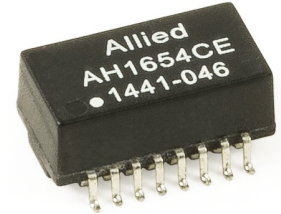


10/100 Single Port LAN Filter Module

AH1654CE

- Ethernet based LAN, WAN and other networking applications
- Designed to meet IEEE802.3 requirement
- Reflow Condition: Maximum reflow temperature is 250°C/-5°C, time is 20~40 sec. (Refer to IPC/JEDEC J-STD-020C)
- Operating Temp: -40°C to +110°C
- Made with UL approved materials UL File #'s: Case: E150608, Wire:E255839, Epoxy:E59481, Varnish:E317427



Electrical Specifications @ 25°C

OCL(μH Min) @ 100kHz, 0.1V	Turns Ratio chip: cable (±2%)	Insertion Loss (dB Max)		Return Loss (dB Min)	
		0.1-100MHz	30MHz	60MHz	80MHz
350	1CT:1CT	-1.1	-18	-14	-12

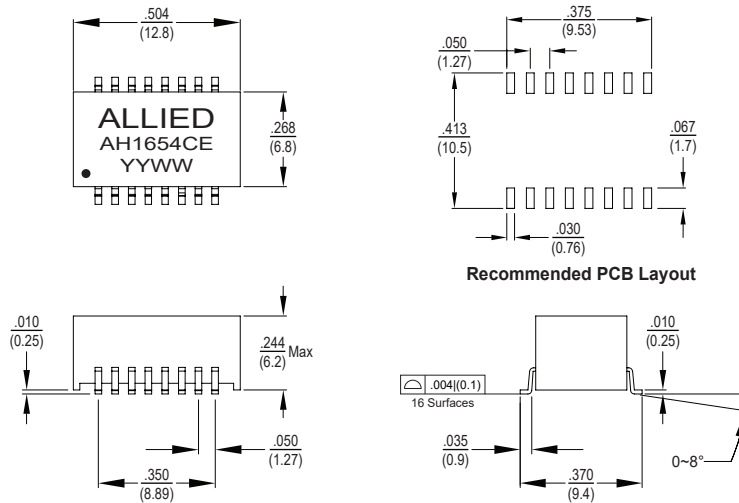
Electrical Specifications @ 25°C

Common Mode Rejection (dB Min)			Cross Talk (dB Min)		Isolation (Vrms)
30MHz	60MHz	100MHz	0.3-60MHz	60-100MHz	
-40	-35	-30	-35	-30	1500

All specifications subject to change without notice.

MECHANICAL

Dimensions:  $\frac{\text{inch}}{\text{mm}}$



Unless otherwise specified, all tolerances are ±.010(0.25)

SCHEMATICS

