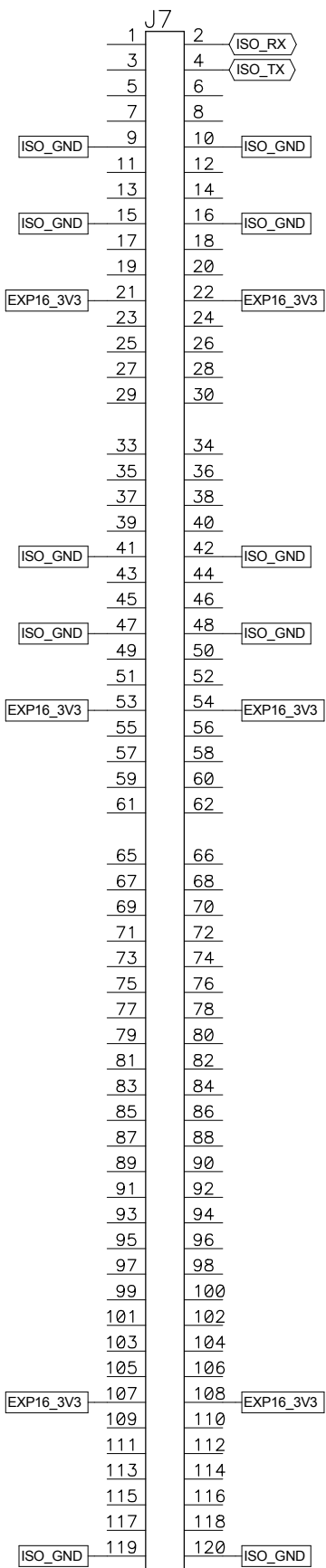
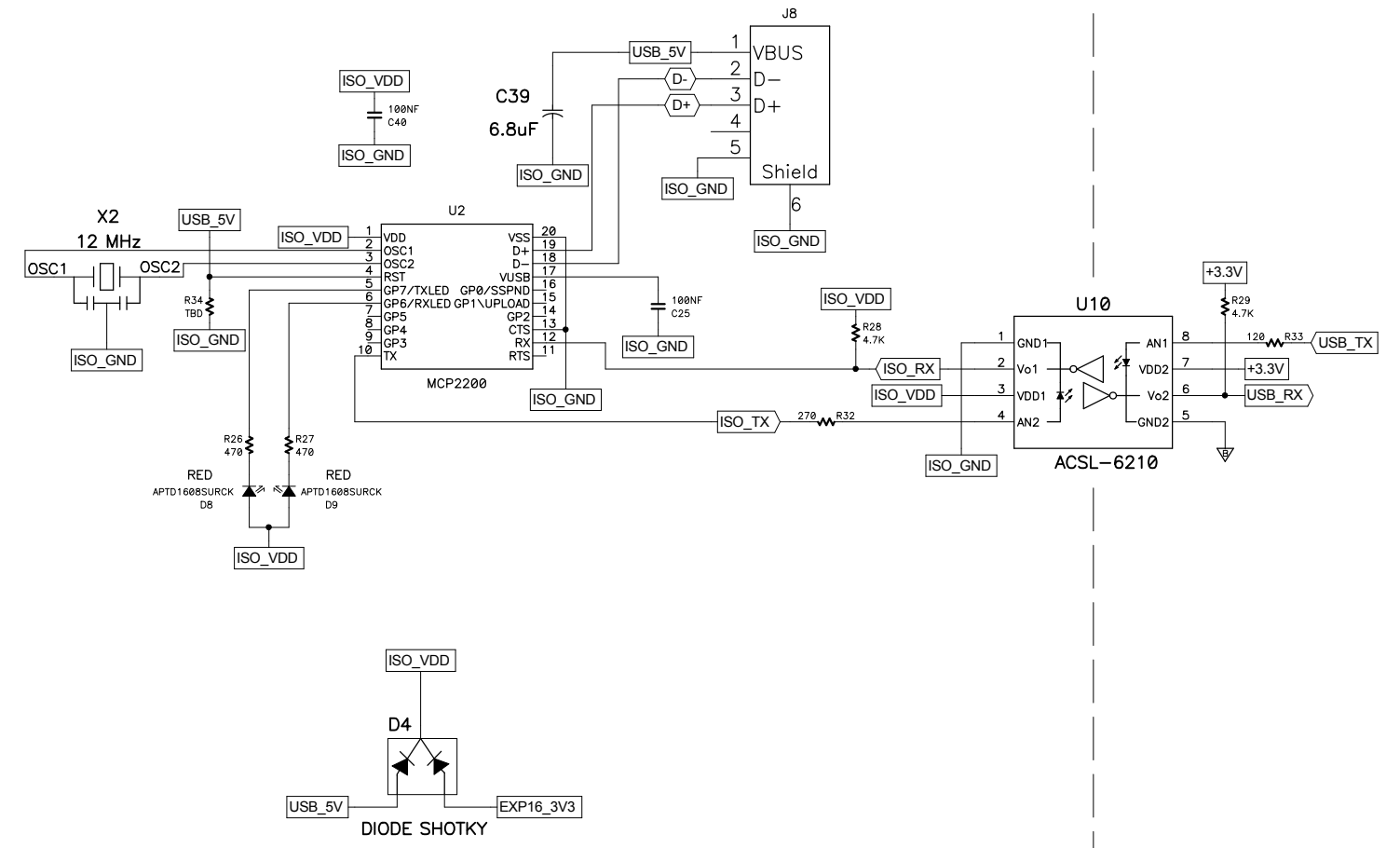


AC Mains side

Title		PIC18F87J72 1P Energy Meter	
Size	C	103-00330	Rev 1
Date: Thu Sep 16, 2010		Eng: C. King	
Filename: 103-00330_REV1.sch		Drawn by: S. Humberd	
		Sheet 1 of 2	



Connector from Explorer 16



Isolated side

AC Mains side

Title		PIC18F87J72 1P Energy Meter	
Size	C	103-00330	Rev 1
Date: Thu Sep 16, 2010		Eng: C. King	
Filename: 103-00330_REV1.sch		Drawn by: S. Humberd	
		Sheet 2 of 2	