

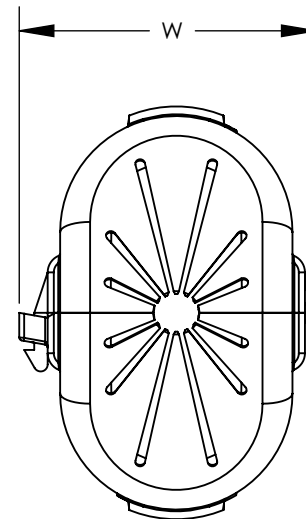
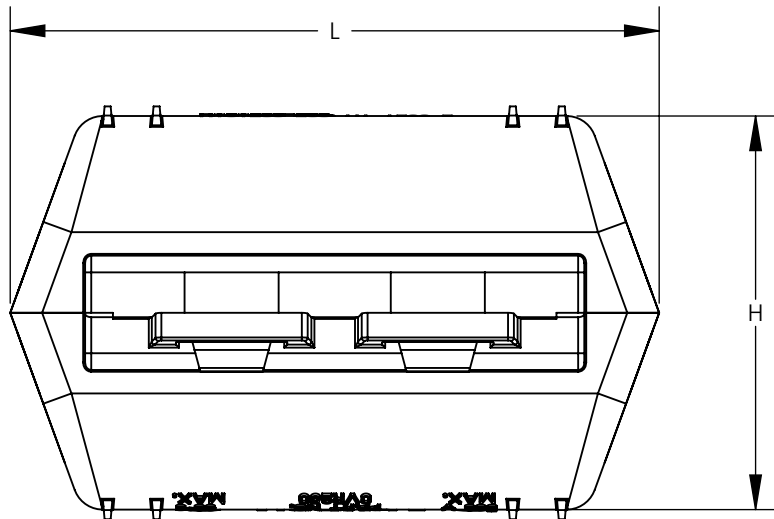
THIS COPY IS PROVIDED ON A RESTRICTED BASIS AND IS NOT TO BE USED IN ANY WAY DETRIMENTAL TO THE INTERESTS OF PANDUIT CORP.

PANDUIT PART NUMBER	DIMENSIONS - IN [mm]			TO BE USED WITH HTAP PART NUMBERS	TO BE USED WITH CTAP PART NUMBERS	TO BE USED WITH KITS PART NUMBERS
	L	W	H			
CVR6-1	2.00 [50.8]	1.20 [30.5]	1.26 [32.0]	HTCT6X-6X-1*	CTAP4-8, CTAP4-6, CTAP4-4	N/A
CVR2-1	3.38 [85.9]	1.40 [35.6]	2.00 [50.8]	HTCT2-2-1*	CTAP2-4, CTAP2-2, CTAP2/0-2	N/A
CVR250-1	3.38 [85.9]	1.55 [39.4]	2.05 [52.1]	HTCT250-2-1*, HTCT250-250-1*	CTAP2/0-2/0	ACGK, ACG24K
CVR500-1	3.86 [98.0]	1.97 [50.0]	2.66 [67.6]	N/A	CTAP4/0-2, CTAP4/0-2/0, CTAP4/0-4/0	ACGKX, ACG24K-500, ACG24KX-500
CVR1000-1	5.62 [142.7]	2.45 [62.2]	3.72 [94.5]	N/A	N/A	N/A

*UL LISTED (cULus) AND CSA CERTIFIED WHEN USED WITH HTCT6X-6X-1, HTCT2-2-1, HTCT250-2-1, OR HTCT250-250-1

NOTES:

1. MATERIAL: LOW DENSITY BLACK POLYPROPYLENE
2. UL LISTED AND CSA CERTIFIED
 - WHEN USED WITH SPECIFIED HTAPS
 - MAXIMUM TEMPERATURE RATING: 90° C
 - VOLTAGE RATING OF COVER: 600V



07	5/11	JHNU	JHNU	ADDED HTCT6X-6X-1 & HTCT250-2-1 TO HTAP PART NUMBER LIST COLUMN	N41315BA-C41315	RGB	RGB
06	5/11	JHNU	JHNU	REMOVED ACG24KX FROM TABLE	N41315BA-C41315	FLD	FLD
05	4/11	JHNU	RWK	REVISED NOTE TO SPECIFY PARTS THAT ARE cULus AND CSA CERTIFIED ADDED PART NUMBERS ACGK, ACGKX, ACG24K, ACG24K-500, ACG24KX-500	N41315BA-C41315	FLD	FLD
04	1/11	JHNU	JHNU	ADDED NOTE TO SPECIFY PART IS NOT UL LISTED FOR USE WITH CTAP CONNECTORS	N41315BA-C41315	FLD	FLD
03	12/10	JHNU	JHNU	REVISED AGENCY LOGO	N41315BA-C41315	FLD	FLD
02	7/10	JHNU	JHNU	REMOVED HTCT8-8, HTCT6-6 FROM TABLE			
01	11/09	JHNU	JHNU	ADDED CVR6, CVR2, CVR500, & CVR1000			
00	8/09	JHNU	JHNU	REVISED NOTES, ADDED TABLE			
				DRAWING RELEASED			
REV	DATE	BY	CHK	DESCRIPTION	ECN	-R	SUP

PANDUIT CORP. TINLEY PARK, ILLINOIS

**CVR H-TAP COVERS
CUSTOMER DRAWING**

UNLESS OTHERWISE SPECIFIED
DIMENSIONAL TOLERANCES ARE:
(.X) ± (XXX) ±
(.XX) ± ANGLES ±

UNLESS OTHERWISE SPECIFIED,
ALL DIMENSIONS ARE GIVEN IN
INCHES, THIRD ANGLE PROJECTION

SCALE N/A

DRAWING NO / CAD FILE C41315_07

DWG A SIZE

SEE NOTE 1 ABOVE

DRAWN BY MAT'L:

DATE

CHK'D