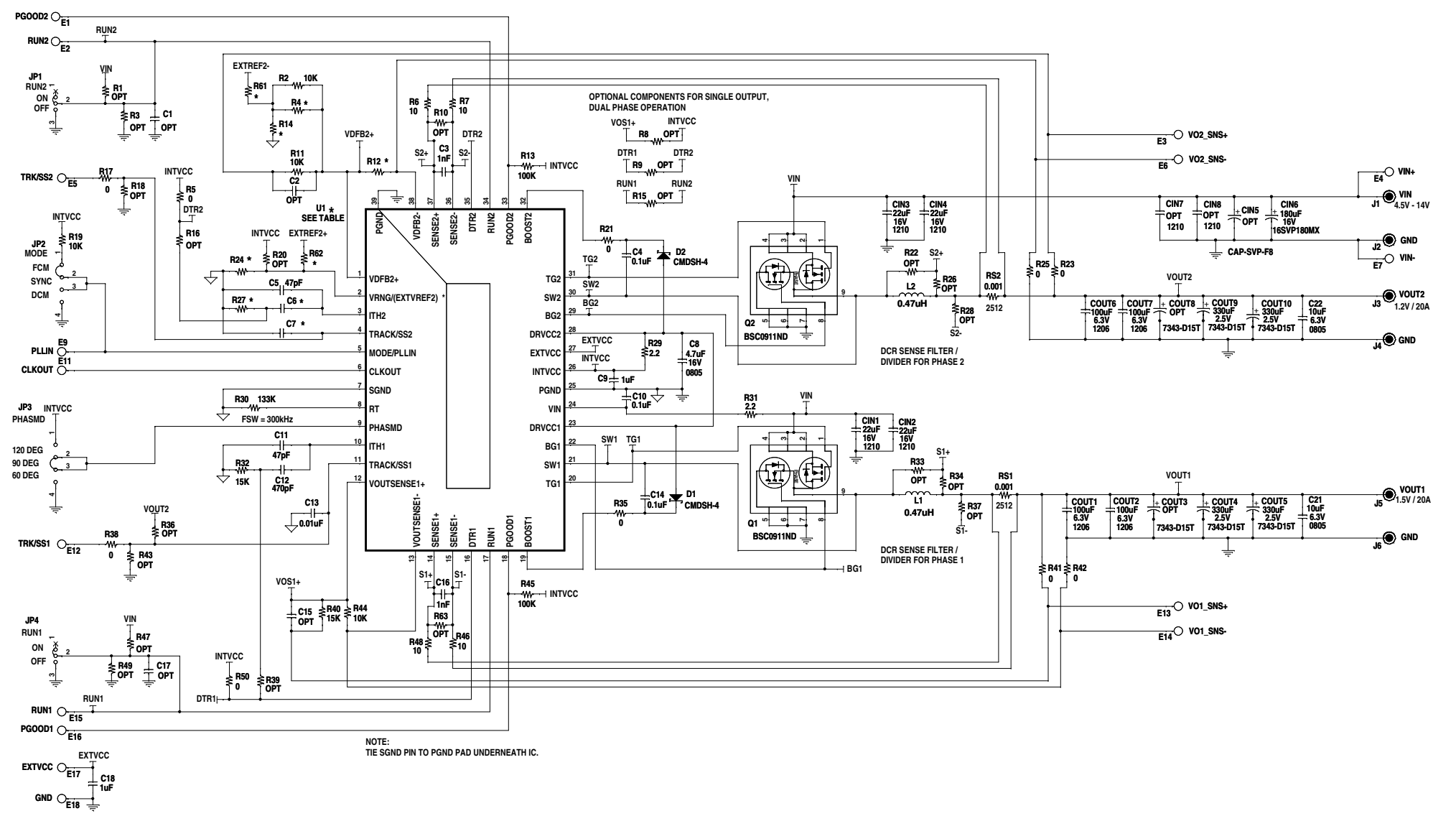


| REVISION HISTORY | | | | |
|------------------|-----|-------------|----------|----------|
| ECO | REV | DESCRIPTION | APPROVED | DATE |
| - | 2 | PRODUCTION | | 12-19-12 |



NOTE:
THE SGND PIN TO PGND PAD UNDERNEATH IC.

NOTES: UNLESS OTHERWISE SPECIFIED
1. ALL RESISTORS ARE 0603.
ALL CAPACITORS ARE 0603.
2. INSTALL SHUNTS ON JUMPERS AS SHOWN.

| ASSEMBLY | U1 | U2 | R24 | R14 | R61 | R62 | C19 C23 | C20 | E19 E20 | JP5 JP6 | R51 | R53 | R54 | R59 | R60 | R52 | R4 | R12 | R27 | C6 | C7 | C24 | D3 |
|-----------|---------------|-----------|------|-----|-----|-----|------------|-------|------------|------------|-----|-----|-----|-----|-------|-----|-----|-----|-------|--------|-------|--------|------------|
| DC1997A-A | LTC3838EUHF-1 | OPT | 0 | 0 | OPT | OPT | OPT | OPT | OPT | OPT | OPT | OPT | OPT | OPT | OPT | 10k | 10k | 11k | 330pF | 0.01uF | OPT | OPT | |
| DC1997A-B | LTC3838EUHF-2 | LT6850HS5 | 100k | OPT | 0 | 0 | 1uF | 4.7uF | STUFF | STUFF | 10k | 20k | 10k | 0 | 6.65k | 20k | OPT | OPT | 5.23k | 680pF | 4.7nF | 0.01uF | BZT52C5V6S |

* PIN 2 = VRNG FOR LTC3838-1, EXTREF2 FOR LTC3838-2

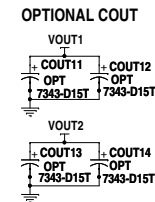
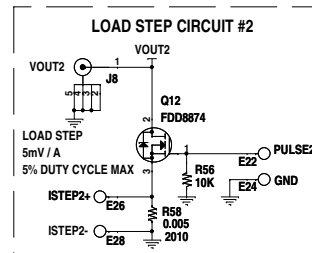
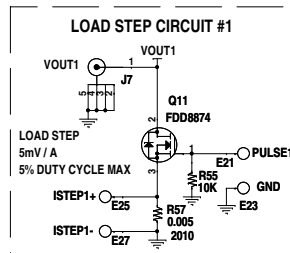
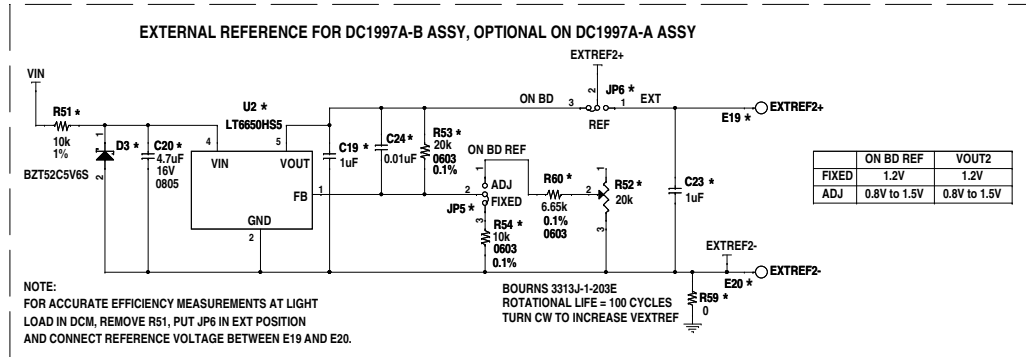
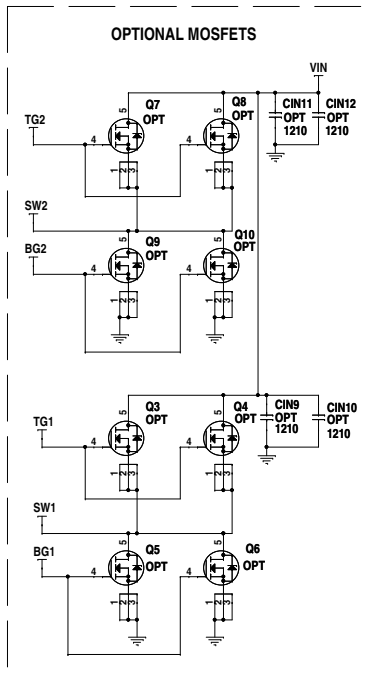
CUSTOMER NOTICE
LINEAR TECHNOLOGY HAS MADE A BEST EFFORT TO DESIGN A CIRCUIT THAT MEETS CUSTOMER-SUPPLIED SPECIFICATIONS; HOWEVER, IT REMAINS THE CUSTOMER'S RESPONSIBILITY TO VERIFY PROPER AND RELIABLE OPERATION IN THE ACTUAL APPLICATION. COMPONENT SUBSTITUTION AND PRINTED CIRCUIT BOARD LAYOUT MAY SIGNIFICANTLY AFFECT CIRCUIT PERFORMANCE OR RELIABILITY. CONTACT LINEAR TECHNOLOGY APPLICATIONS ENGINEERING FOR ASSISTANCE.

APPROVALS
PCB DES: M. SHRYVER
APP ENG: M. SHRYVER

LINEAR TECHNOLOGY
1630 McCarthy Blvd.
Milpitas, CA 95035
Phone: (408)435-1000 www.linear.com
Fax: (408)434-0507
LTC Confidential-For Customer Use Only

THIS CIRCUIT IS PROPRIETARY TO LINEAR TECHNOLOGY AND SUPPLIED FOR USE WITH LINEAR TECHNOLOGY PARTS.
SCALE = NONE
DATE: DEC 19, 2012
SHEET 1 OF 2

FAST TRANSIENT DUAL OUTPUT STEP-DOWN DC-DC CONVERTER
TITLE: SCHEMATIC
SIZE: N/A
IC NO.: LTC3838EUHF-1/2
REV: 2
DEMO CIRCUIT 1997A



| CUSTOMER NOTICE | | APPROVALS | | | <small>1630 McCarthy Blvd. Milpitas, CA 95035 Phone: (408)433-1000 www.linear.com Fax: (408)434-0507 LTC Confidential-For Customer Use Only</small> | |
|--|--|--------------|------------|--|---|------|
| LINEAR TECHNOLOGY HAS MADE A BEST EFFORT TO DESIGN A CIRCUIT THAT MEETS CUSTOMER-SUPPLIED SPECIFICATIONS; HOWEVER, IT REMAINS THE CUSTOMER'S RESPONSIBILITY TO VERIFY PROPER AND RELIABLE OPERATION IN THE ACTUAL APPLICATION. COMPONENT SUBSTITUTION AND PRINTED CIRCUIT BOARD LAYOUT MAY SIGNIFICANTLY AFFECT CIRCUIT PERFORMANCE OR RELIABILITY. CONTACT LINEAR TECHNOLOGY APPLICATIONS ENGINEERING FOR ASSISTANCE. | | PCB DES. | LT | | TITLE: SCHEMATIC | |
| | | APP ENG. | M. SHRYVER | FAST TRANSIENT DUAL OUTPUT STEP-DOWN DC-DC CONVERTER | | |
| | | SIZE | N/A | IC NO. | LTC3838EUHF-1/2 | REV. |
| | | SCALE = NONE | | DATE: DEC 19, 2012 | DEMO CIRCUIT1997A | 2 |
| THIS CIRCUIT IS PROPRIETARY TO LINEAR TECHNOLOGY AND SUPPLIED FOR USE WITH LINEAR TECHNOLOGY PARTS. | | | | SHEET 2 OF 2 | | |