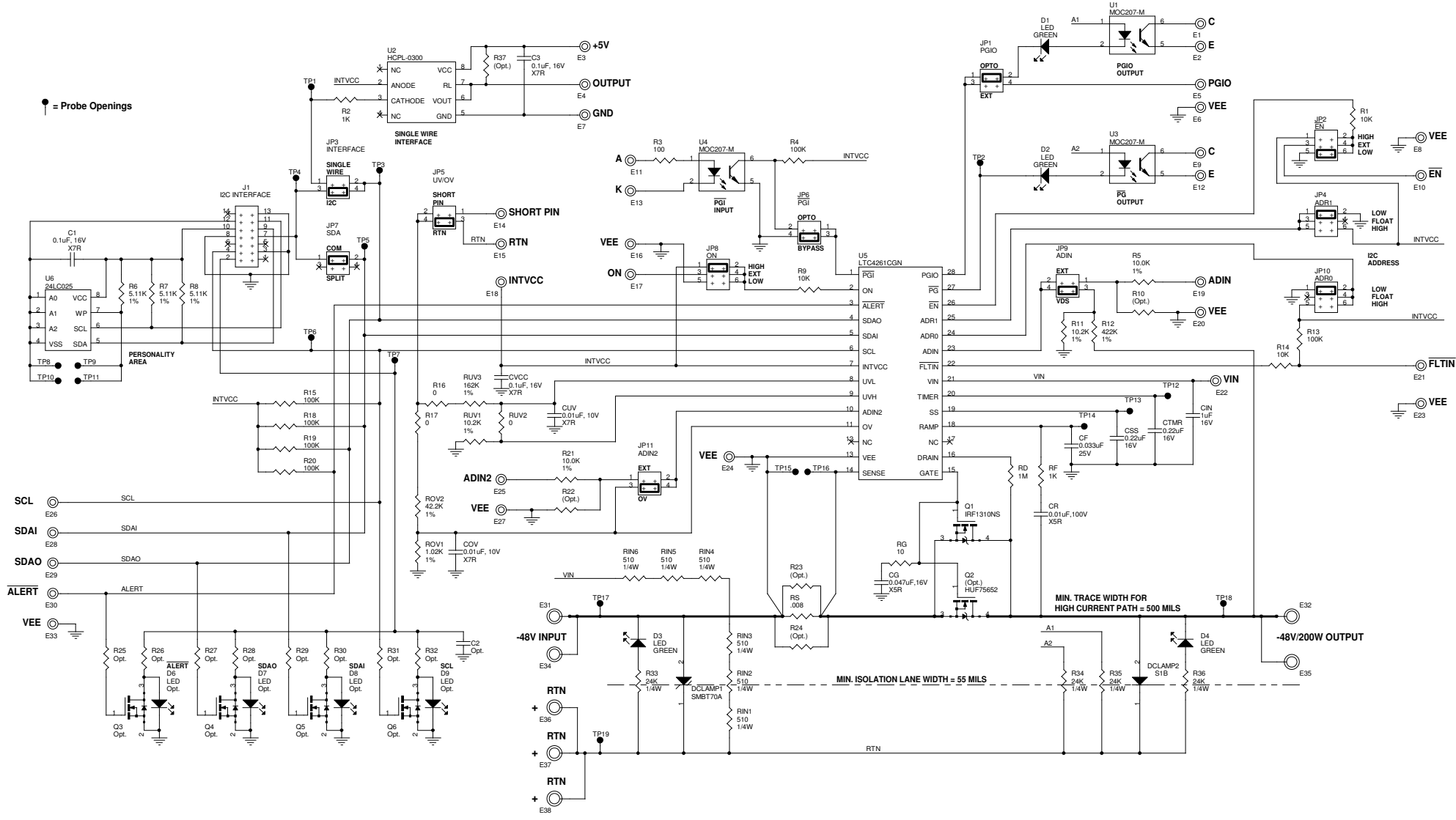


● = Probe Openings



INPUT THRESHOLDS		
UV	OFF	38.7V
UV	ON	43.2V
OV	ON	73.4V
OV	OFF	75.0V

NOTES: UNLESS OTHERWISE SPECIFIED

LTC CONFIDENTIAL - FOR CUSTOMER USE ONLY

<p>Customer Notice Linear Technology Has Made A Best Effort To Design A Circuit That Meets Customer-Supplied Specifications; However, It Remains The Customer's Responsibility To Verify Proper And Reliable Operation In The Actual Application. Component Substitution And Printed Circuit Board Layout May Significantly Affect Circuit Performance Or Reliability. Contact Linear Technology Applications Engineering For Assistance. This Circuit Is Proprietary To Linear Technology And Supplied For Use With Linear Technology Parts.</p>		
<p>LINEAR TECHNOLOGY CORPORATION 1630 McCARTHY BLVD. MILPITAS, CA 95035 408-432-1900 408-434-0507 FAX</p>		
<p>Title: 200W Negative 48V Hot Swap Controller With Current and Voltage Monitoring</p>		
Size:	Document Number:	Rev:
	Demo Circuit 998A	LTC4261CGN
Date:	Monday, April 24, 2000	Sheet 1 of 1