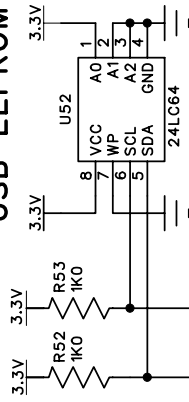
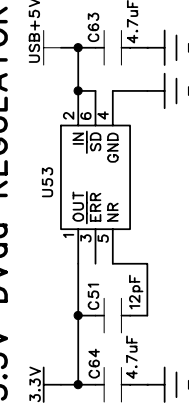


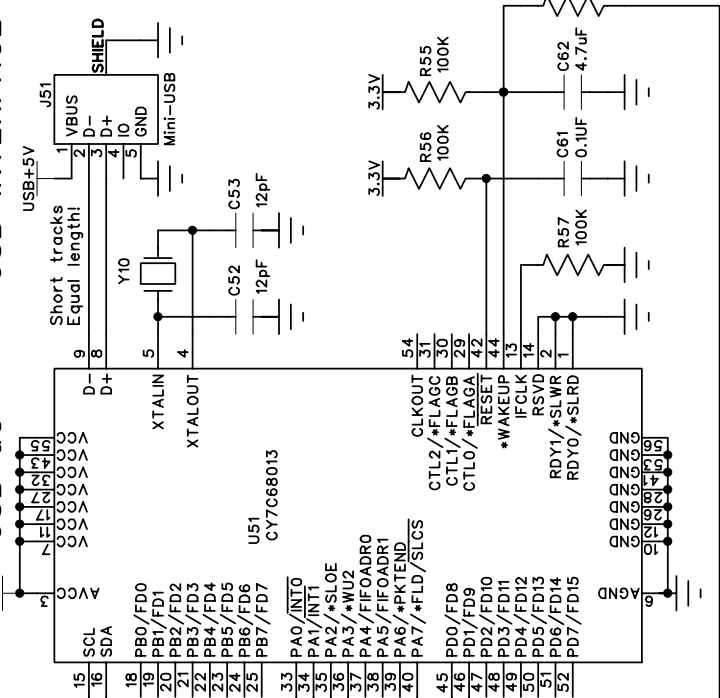
USB EEPROM



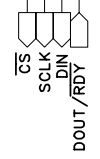
3.3V DVdd REGULATOR



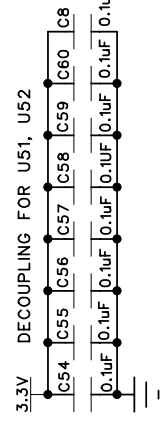
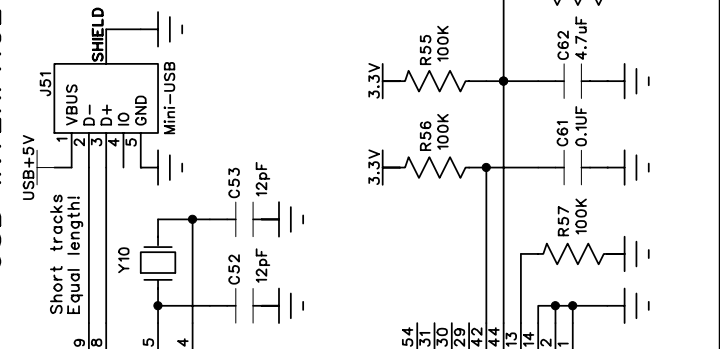
USB uC

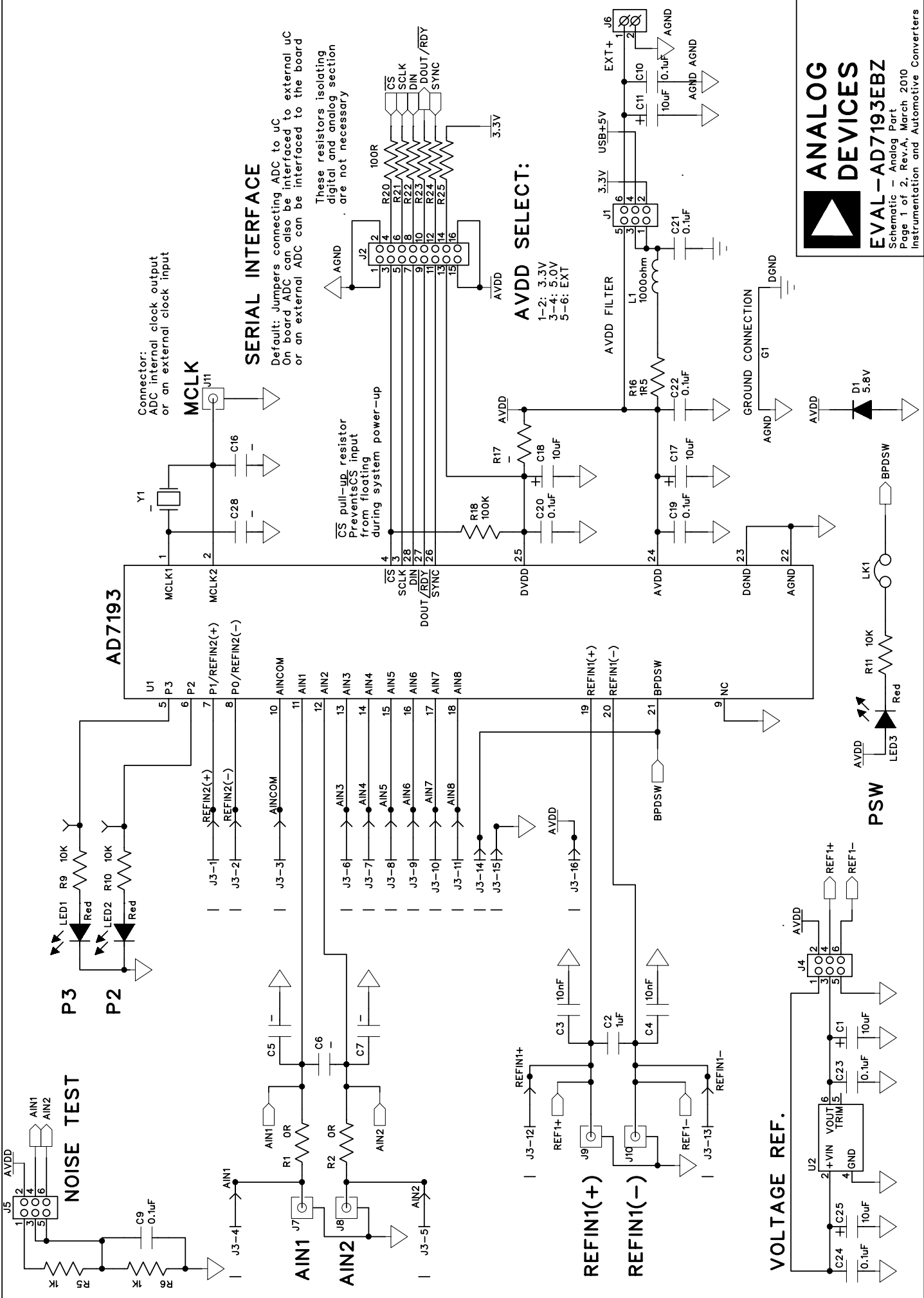


ADC SERIAL INTERFACE



USB INTERFACE





Connector:
ADC internal clock output
or an external clock input

SERIAL INTERFACE

Default: Jumpers connecting ADC to uC.
On board ADC can also be interfaced to external uC
or an external ADC can be interfaced to the board

These resistors isolating
digital and analog section
are not necessary

CS pull-up resistor
Prevents CS input
from floating
during system power-up

AVDD SELECT:

- 1-2: 3.3V
- 3-4: 5.0V
- 5-6: EXT



**ANALOG
DEVICES**
EVAL-AD7193EBZ
Schematic - Analog Part
Page 1 of 2, Rev.A, March 2010
Instrumentation and Automotive Converters