

**SAW Filter 815.50MHz**

**Model: TA0430A**

**Part No: MA07956**

**REV. NO.: 1**

**A. MAXIMUM RATING:**

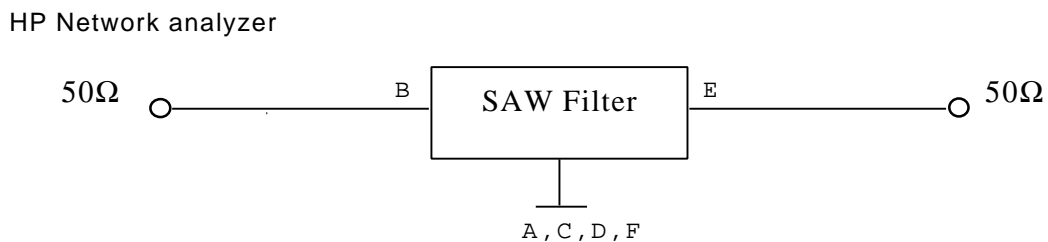
1. Input Power Level: 7dBm
2. DC voltage: 3V
3. Operating Temperature: -30°C to +70°C
4. Storage Temperature: -40°C to +85°C

**B. ELECTRICAL CHARACTERISTICS:**

Item	Min.	Typ.	Max.
Center frequency Fc (MHz)	-	815.5	-
Insertion loss (806~825 MHz) IL (dB)	-	2.6	3.5
Group delay ripple (806~825 MHz) (nS)	-	18	50
Attenuation (Reference level from 0 dB)			
851 ~ 866 MHz (dB)	40	46	-
935 ~ 940 MHz (dB)	35	68	-
960.65 ~ 979.65 MHz (dB)	35	65	-
1115.3 ~ 1134.3 MHz (dB)	37	64	-
1269.95 ~ 1288.95 MHz (dB)	40	62	-
1612 ~ 1650 MHz (dB)	35	68	-
1650 ~ 2600 MHz (dB)	25	38	-
Input/Output VSWR (806~825 MHz)	-	1.7	2.0
Source impedance Zs (Ω)	-	50	-
Load impedance ZL (Ω)	-	50	-

Note1. The standard definitions is in JIS C 6703

**C. MEASUREMENT CIRCUIT:**



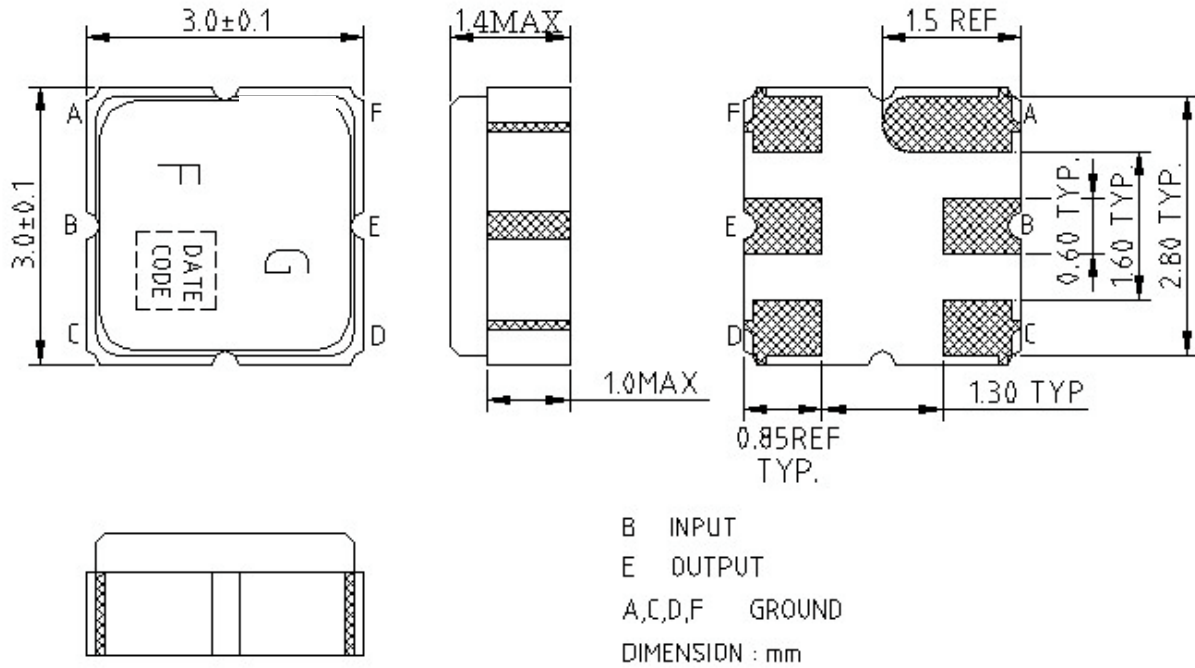
**SAW Filter 815.50MHz**

**Model: TA0430A**

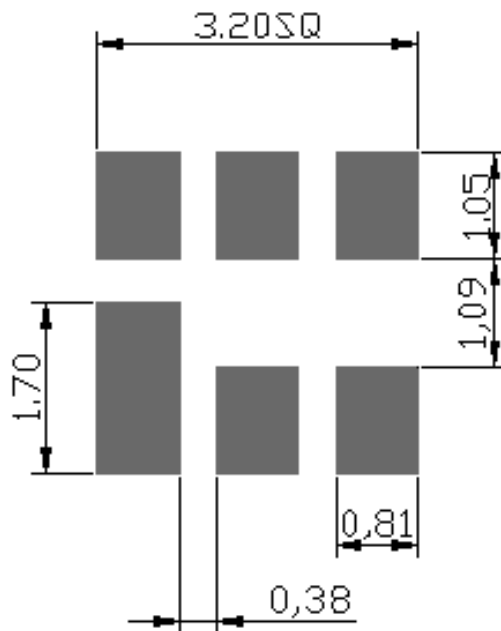
Part No: **MA07956**

REV. NO.: 1

**D. OUTLINE DRAWING:**



**E. PCB FOOTPRINT:**



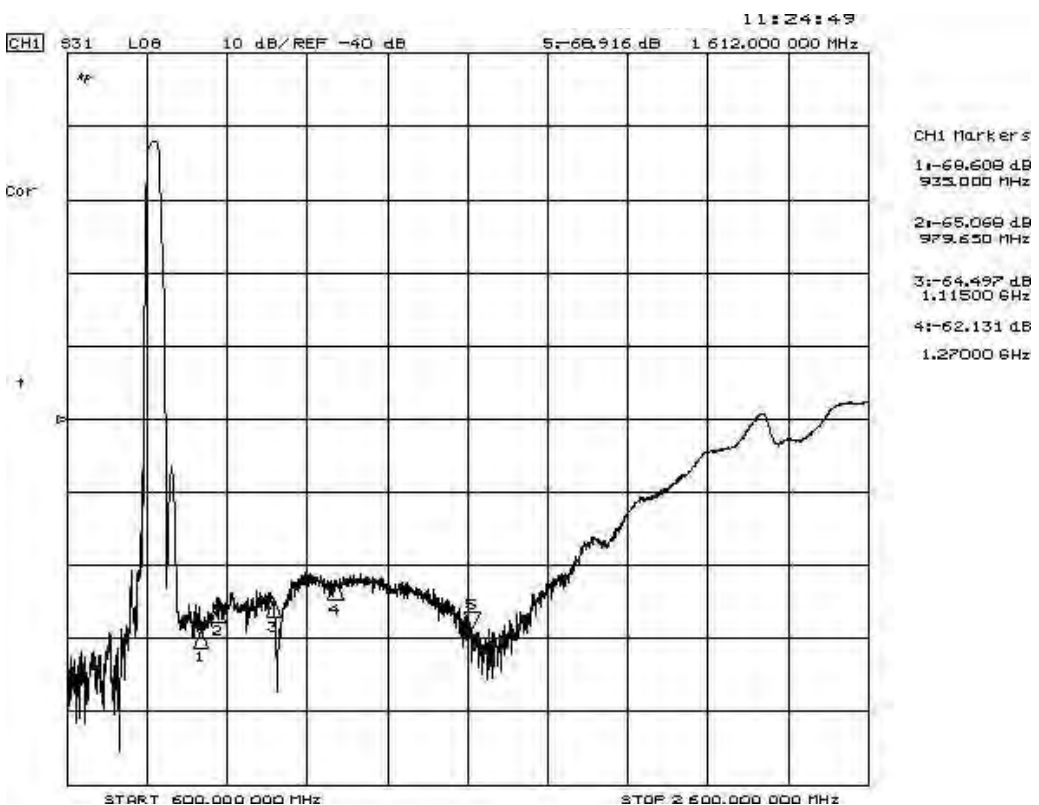
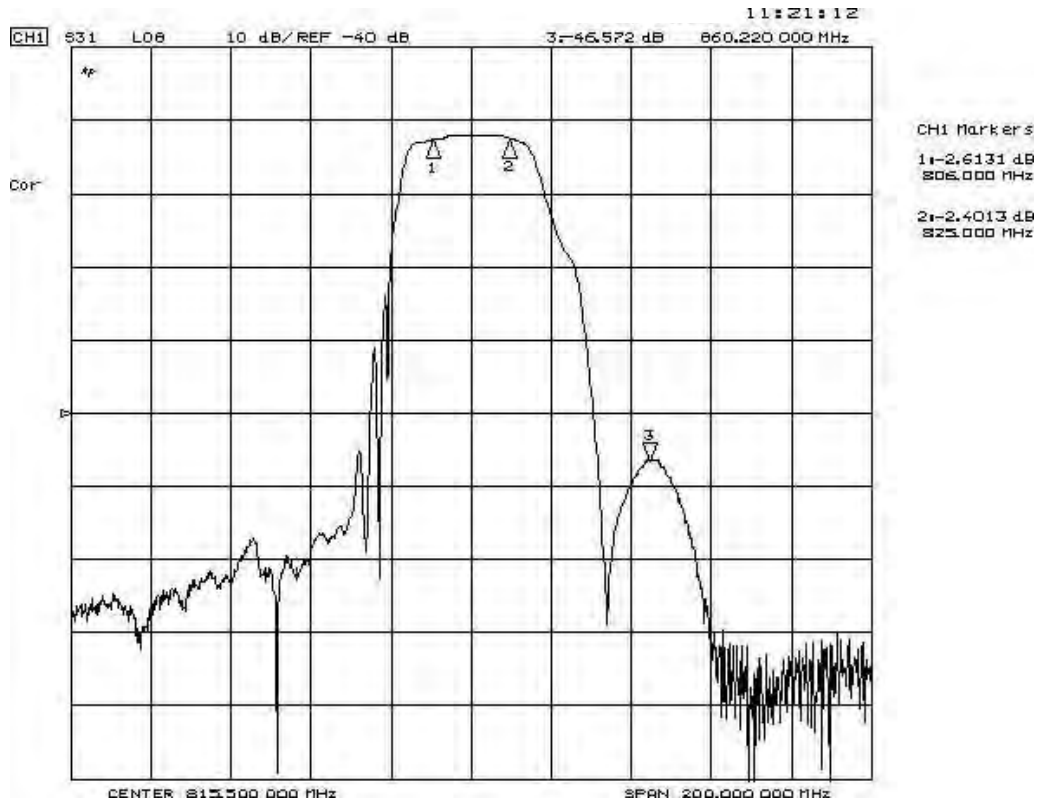
**SAW Filter 815.50MHz**

**Model: TA0430A**

**Part No: MA07956**

**REV. NO.: 1**

**F. FREQUENCY CHARACTERISTICS:**  
**Transfer function**



**SAW Filter 815.50MHz**

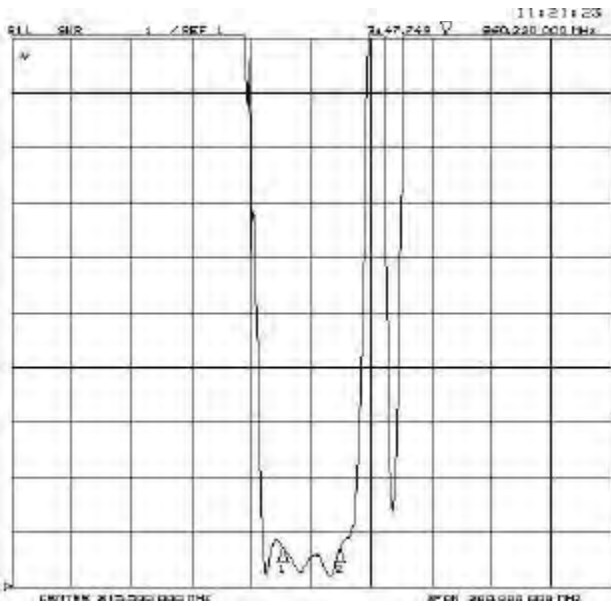
**Model: TA0430A**

Part No: **MA07956**

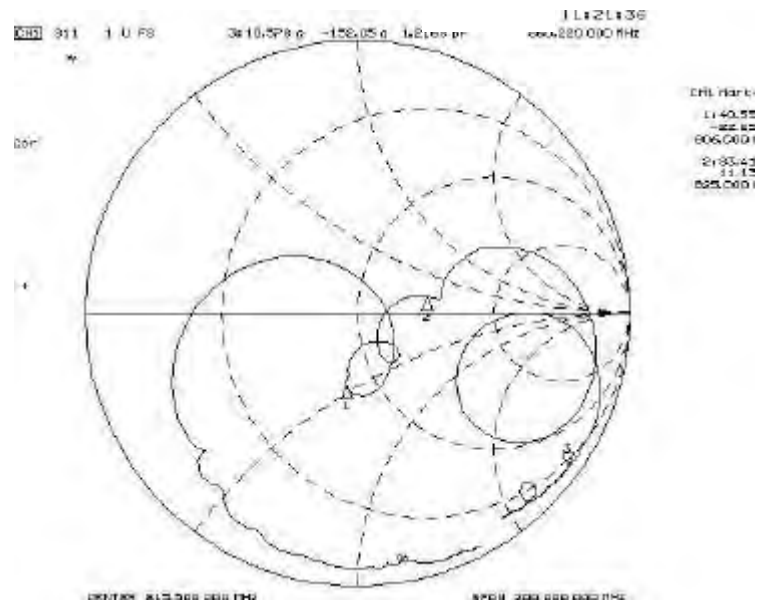
REV. NO.: 1

**Reflection Functions :**

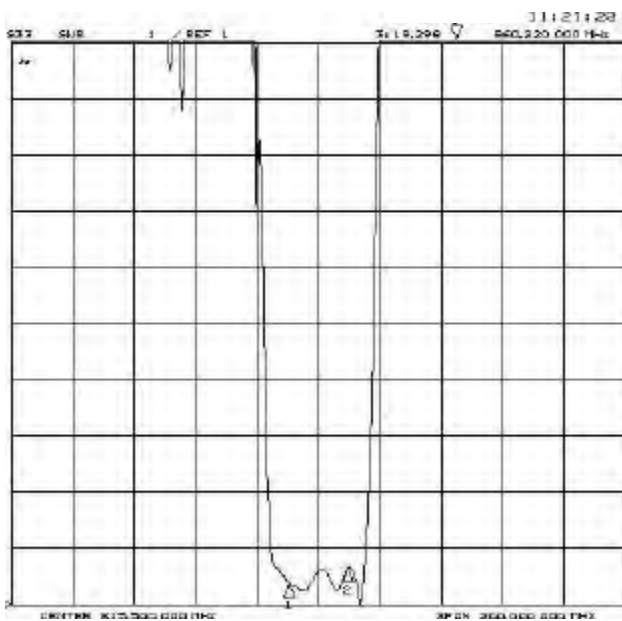
**S11**



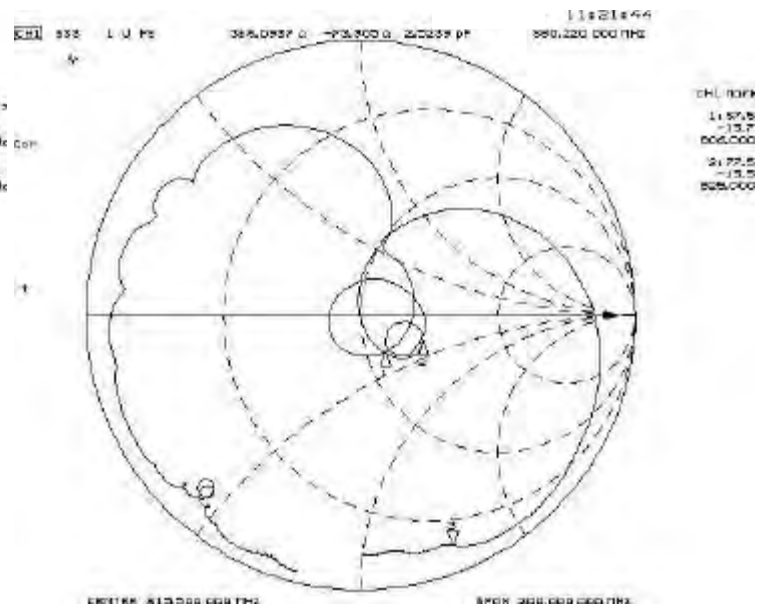
CH1 Markers  
 1: 17.330  
 805,000 MHz  
 2: 17.322  
 825,000 MHz



**S22**



CH1 Markers  
 1: 13.824  
 805,000 MHz  
 2: 13.820  
 825,000 MHz



**SAW Filter 815.50MHz**

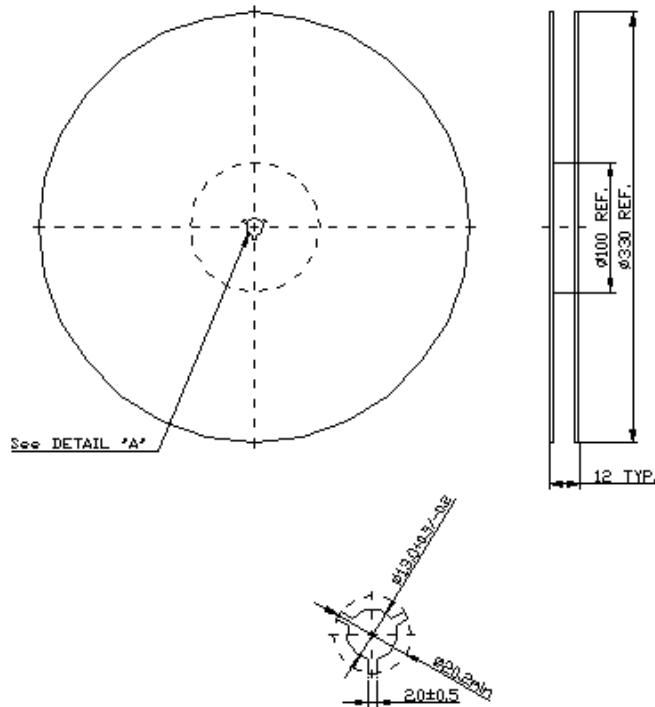
**Model: TA0430A**

**Part No: MA07956**

**REV. NO.: 1**

**G. PACKING:**

**1. REEL DIMENSION**



**2. TAPE DIMENSION**

