

# MLX92223LUA-AAA

2-Wire Hall Effect Latch with Resistive Output Characteristic

## 1. Features and Benefits

- Emulates 392Ω resistor
- Wide operating voltage range: from 3.8V to 16V
- Reverse supply voltage protection
- Advanced thermal management with current limit and thermal protection
- Integrated decoupling capacitor for PCB less designs.

## 2. Application Examples

- Automotive, Consumer and Industrial
- Seat positioning
- Seat Motor

## 3. Ordering Information

Product Code	Temperature Code	Package Code	Option Code	Packing Form Code
MLX92223	L	UA	AAA-1xx	BU
MLX92223	L	UA	AAA-1xx	RE

### Legend:

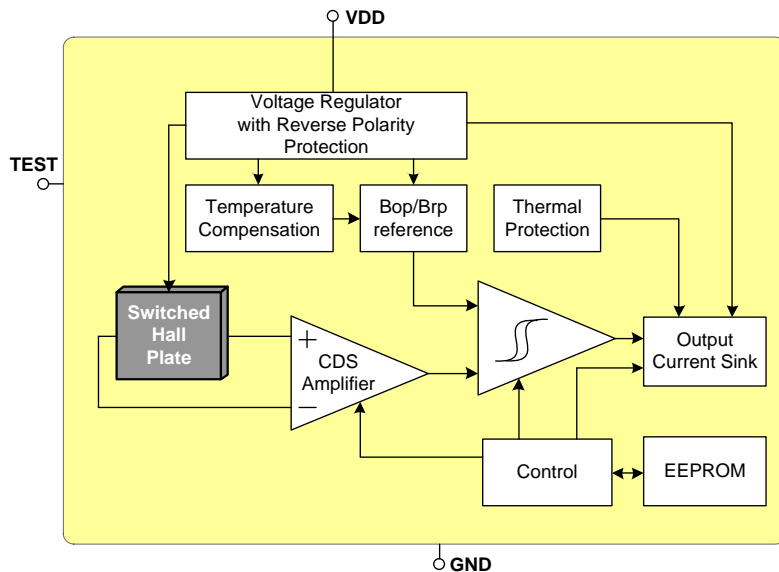
Temperature Code: L (-40°C to 150°C)  
Package Code: UA = TO92-3L  
Option Code: AAA-1xx = 2 wire hall effect Latch with integrated capacitor

Packing Form: BU = Bulk | RE = Reel | CA = Ammopack delivery  
Ordering example: MLX92223LUA-AAA-1xx-BU

# MLX92223LUA-AAA

2-Wire Hall Effect Latch with Resistive Output Characteristic

## 4. Functional Diagram



## 5. General Description

The Melexis MLX92223 is based on the Melexis Hall-effect switch latest platform, designed in mixed signal submicron CMOS technology.

The device integrates a voltage regulator, Hall sensor, current sink-configured output driver and integrated capacitor all in a single package.

The MLX92223 magnetic core is using an advanced offset cancellation system. In addition, a pre-programmable temperature coefficient is implemented to compensate the natural behavior of certain types of magnets becoming weaker at high temperature.

The included voltage regulator operates from 3.8 to 16V, hence covering a wide range of applications. With the built-in reverse voltage protection, a series diode on the supply line is not required so that even remote sensors can be specified for low voltage operation down to 3.8V while being reverse voltage tolerant.

Advanced thermal management with current limit above  $V_{DD} = 16.8V$  is implemented. The on-chip thermal protection switches the supply current below  $I_{PROT}$  if the junction temperature increases above the protection threshold  $T_{PROT}$ . It will automatically recover once the temperature decreases below  $T_{REL}$ .

The MLX92223 is delivered in a Green and RoHS compliant Plastic Single-in-Line (TO-92 flat) for through-hole mount and with integrated capacitor for PCB-less design.

## Contents

1. Features and Benefits .....	1
2. Application Examples.....	1
3. Ordering Information.....	1
4. Functional Diagram.....	2
5. General Description .....	2
6. Glossary of Terms .....	4
7. Absolute Maximum Ratings .....	4
8. General Electrical Specifications .....	5
9. Magnetic Specifications .....	6
9.1. MLX92223LUA-AAA-100.....	6
10. Magnetic Behavior.....	6
10.1. Latch Sensor.....	6
11. Application Information.....	7
11.1. Typical Automotive Application Circuit .....	7
11.2. Supply Current Diagram .....	7
11.3. Power Dissipation Derating Curve .....	8
11.4. Voltage Derating Curve (valid for $R_S=182\Omega$ ) .....	8
12. Standard information regarding manufacturability of Melexis products with different soldering processes .....	9
13. ESD Precautions.....	9
14. Package Information.....	10
14.1. TO92 - 3L (UA Package) with integrated capacitor .....	10
15. Contact .....	12
16. Disclaimer.....	12

## 6. Glossary of Terms

Tesla	Units for the magnetic flux density, 1 mT = 10 Gauss
TC	Temperature Coefficient , ppm/°C
NC	Not Connected
POR	Power on Reset

## 7. Absolute Maximum Ratings

Exceeding the absolute maximum ratings may cause permanent damage. Exposure to absolute maximum rated conditions for extended periods may affect device reliability.

Parameter	Symbol	Conditions	Value	Units
Supply Voltage <sup>(1, 2)</sup>	V <sub>DD</sub>		+28	V
Battery Voltage <sup>(1, 6)</sup>	V <sub>B</sub>	1 min, R <sub>S</sub> =182Ω±1%, T <sub>A</sub> =85°C, B<B <sub>OP</sub>	+24	V
Battery Voltage <sup>(1, 6)</sup>	V <sub>B</sub>	1 min jump-start, R <sub>S</sub> =182Ω±1%, T <sub>A</sub> =25°C, B<B <sub>OP</sub>	+26	V
Battery Voltage <sup>(1, 6)</sup>	V <sub>B</sub>	0.5s load dump, R <sub>S</sub> =182Ω±1%, T <sub>A</sub> =25°C, B<B <sub>OP</sub>	+35	V
Reverse Supply Voltage <sup>(1, 2)</sup>	V <sub>DDREV</sub>		-24	V
Reverse Supply Voltage <sup>(1)</sup>	V <sub>DDREV</sub>	For 500ms	-30	V
Maximum Junction Temperature <sup>(3)</sup>	T <sub>J</sub>		+165	°C
ESD Sensitivity – HBM <sup>(4)</sup>	-		8	kV
ESD Sensitivity – CDM <sup>(5)</sup>	-		1000	V
ESD Sensitivity – System ESD <sup>(7)</sup>			8	kV
Magnetic Flux Density	B		Unlimited	mT

<sup>1</sup> The maximum junction temperature should not be exceeded

<sup>2</sup> For maximum 1 hour

<sup>3</sup> For 1000 hours.

<sup>4</sup> Human Model according AEC-Q100-002 standard

<sup>5</sup> Charged Device Model according AEC-Q100-011 standard

<sup>6</sup> Refer to section "Typical Automotive Application Circuit"

<sup>7</sup> System level ESD, contact discharge VDD-GND (330Ω, 150pF)

## 8. General Electrical Specifications

Electrical Operating Parameters,  $V_{DD} = 3.8V$  to  $16V$ ,  $T_J = -40^{\circ}C$  to  $165^{\circ}C$  (unless otherwise specified)

Parameter	Symbol	Test Conditions	Min	Typ <sup>(1)</sup>	Max	Units
OFF Supply Current	$I_{OFF}$		4.5	6	7.5	mA
ON Supply Current	$I_{ON}$		-	$I_{OFF} + I_R$	-	mA
Proportional Supply Current Part	$I_R$	$V_{DD} = 3.8V$ to $16V$	-10%	$V_{DD}/392\Omega$	+10%	mA
		$V_{DD} > 16.8V$	36	43		mA
Protection Supply Current	$I_{PROT}$		-	-	1	mA
Reverse Supply Current	$I_{DDREV}$	$V_{DD} = -16V$	-1	-	-	mA
Supply Current Rise Time <sup>(2)</sup>	$t_{R\_IDD}$	$V_B = 12V$ , $R_S \leq 1\Omega$	0.7	1.7	4	$\mu s$
Supply Current Fall Time <sup>(2)</sup>	$t_{F\_IDD}$	$V_B = 12V$ , $R_S \leq 1\Omega$	0.4	1	2.5	$\mu s$
Supply Voltage Rise Time <sup>(2)</sup>	$t_{R\_VDD}$	$V_B = 12V$ , $R_S = 182\Omega$ , $C_{bypass} = 68nF$	-	27	-	$\mu s$
Supply Voltage Fall Time <sup>(2)</sup>	$t_{F\_VDD}$	$V_B = 12V$ , $R_S = 182\Omega$ , $C_{bypass} = 68nF$	-	19	-	$\mu s$
Power-On Time <sup>(3, 4)</sup>	$t_{ON}$	$V_{DD} = 5V$ , $dV_{DD}/dt > 2V/\mu s$ , $B < B_{OP} - 1mT$	-	40	70	$\mu s$
Chopping Frequency	$f_{CHOP}$		-	350	-	kHz
Maximum Switching Frequency <sup>(2)</sup>	$f_{SW}$	Triangular magnetic field with $B_{pk-pk} \geq 10 \times B_{OP}$ $B_{OP} = -B_{RP} = 1mT$	-	50	-	kHz
Integrated bypass capacitor	$C_{BP}$		-	68	-	nF
Thermal Protection Activation	$T_{PROT}$		-	190 <sup>(5)</sup>	-	$^{\circ}C$
Thermal Protection Release	$T_{REL}$		-	180 <sup>(5)</sup>	-	$^{\circ}C$
UA Package Thermal Resistance	$R_{THJA}$		-	165	-	$^{\circ}C/W$

<sup>1</sup> Typical values are defined at  $T_A = +25^{\circ}C$  and  $V_{DD} = 12V$ .

<sup>2</sup> Guaranteed by design and verified by characterization, not production tested.

<sup>3</sup> The Power-On Time represents the time from reaching  $V_{DD} = 3.8V$  to the first refresh of the supply current state.

<sup>4</sup> Power-On Slew Rate is not critical for the proper device start-up.

<sup>5</sup>  $T_{PROT}$  and  $T_{REL}$  are the corresponding junction temperature values.

## 9. Magnetic Specifications

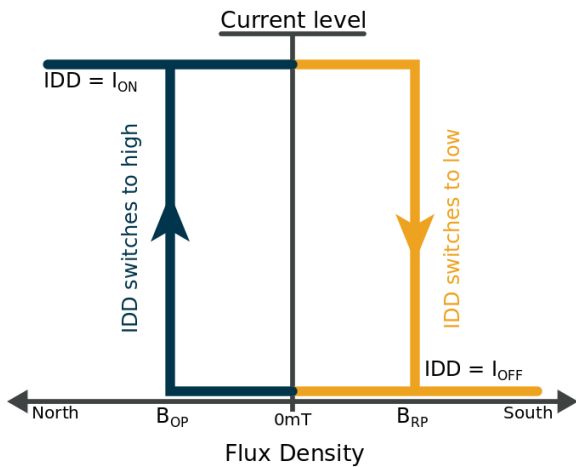
### 9.1. MLX92223LUA-AAA-100

Magnetic Parameters,  $V_{DD} = 3.8V$  to  $16V$ ,  $T_J = -40^{\circ}C$  to  $165^{\circ}C$  (unless otherwise specified)

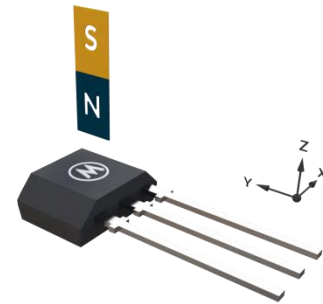
Test Condition	Operating Point $B_{OP}$ (mT)			Release Point $B_{RP}$ (mT)			TC (ppm/ $^{\circ}C$ )	Active Pole	Package Information
	Min	Typ <sup>(1)</sup>	Max	Min	Typ <sup>(1)</sup>	Max			
$T_J = -40^{\circ}C$	-16	-10	-6	6	10	16	0 <sup>(2)</sup>	Z-axis sensitive North pole	UA (TO92-3)
$T_J = 25^{\circ}C$	-14	-10	-7	7	10	14			
$T_J = 150^{\circ}C$	-16	-10	-6	6	10	16			

## 10. Magnetic Behavior

### 10.1. Latch Sensor



North Active Pole



North active pole

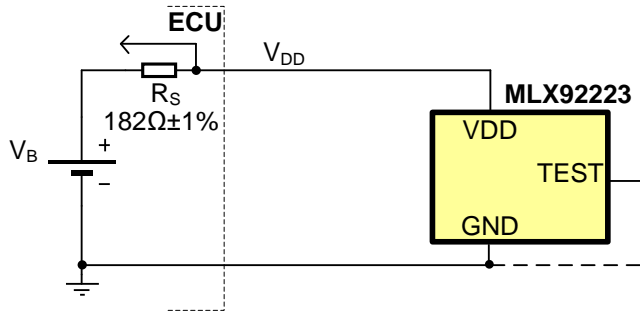
<sup>1</sup> Typical values are defined at  $T_A = +25^{\circ}C$  and  $V_{DD} = 12V$

<sup>2</sup> Temperature coefficient is calculated using the following formula:

$$TC = \frac{(B_{OPT2} - B_{RPT2}) - (B_{OPT1} - B_{RPT1})}{(B_{OPT1} - B_{RPT1}) \times (T_2 - T_1)} * 10^6, ppm/^{\circ}C; T_1 = 25^{\circ}C; T_2 = 150^{\circ}C$$

## 11. Application Information

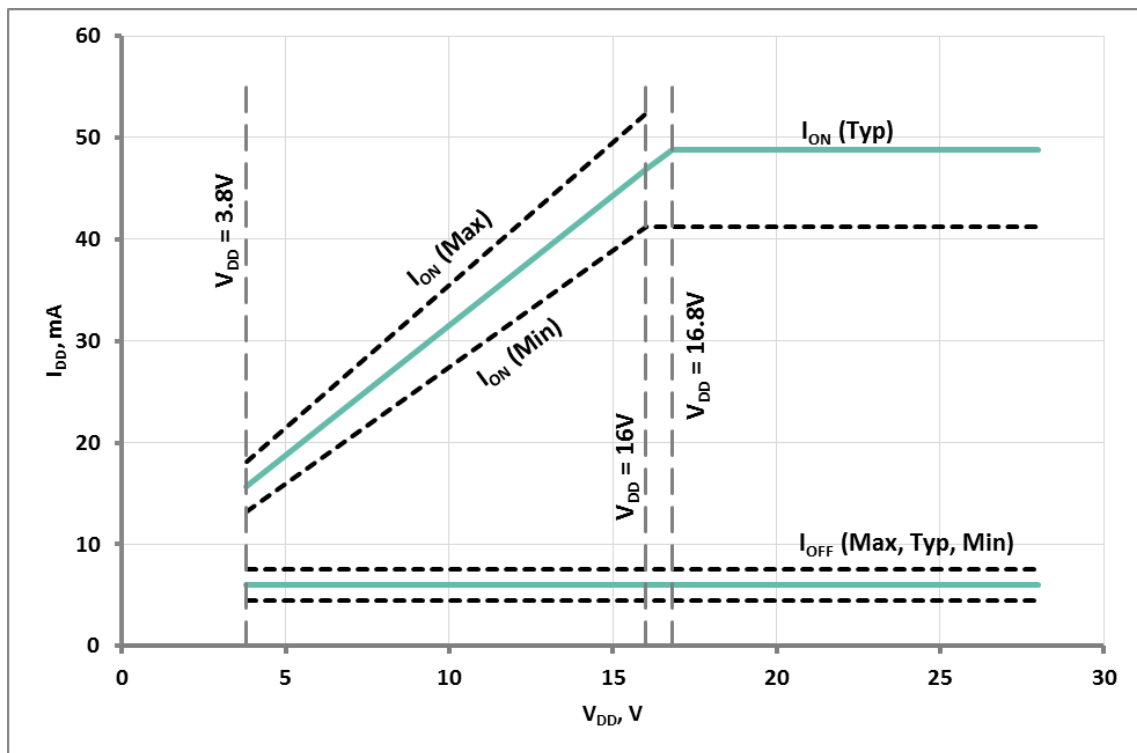
### 11.1. Typical Automotive Application Circuit



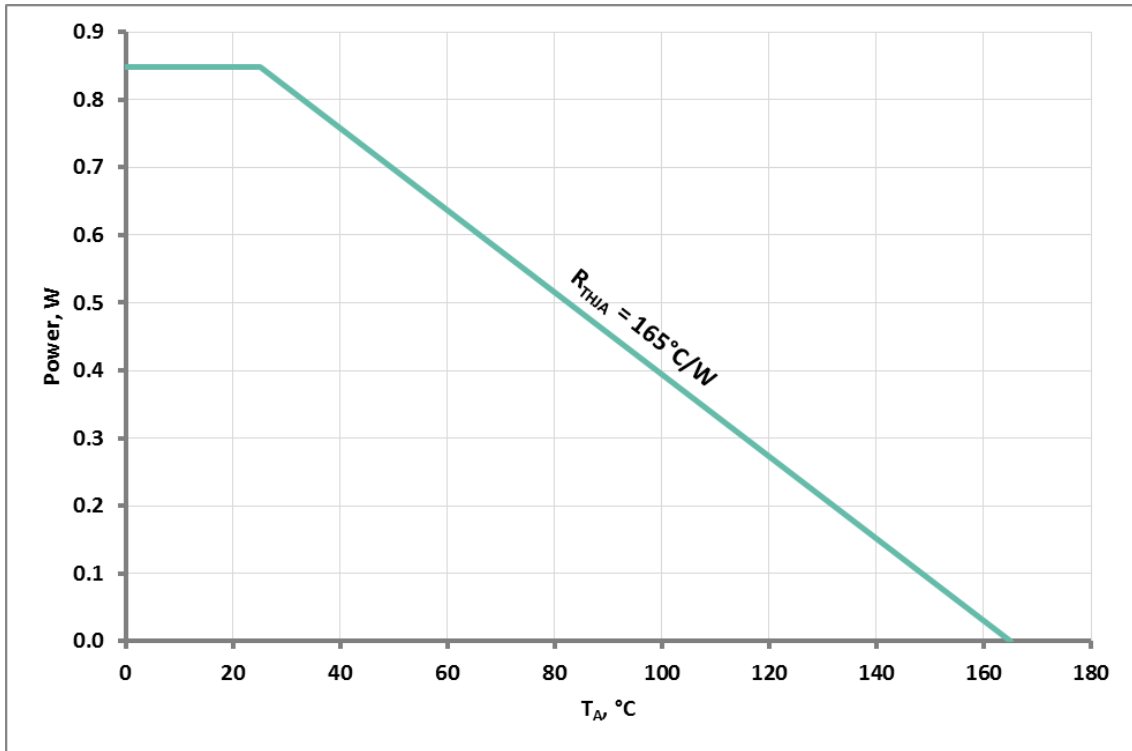
**Notes:**

1. For proper operation  $R_S$  should be equal or higher than  $50\Omega$ .
- 2 The TEST pin is to be connected to GND or left open.

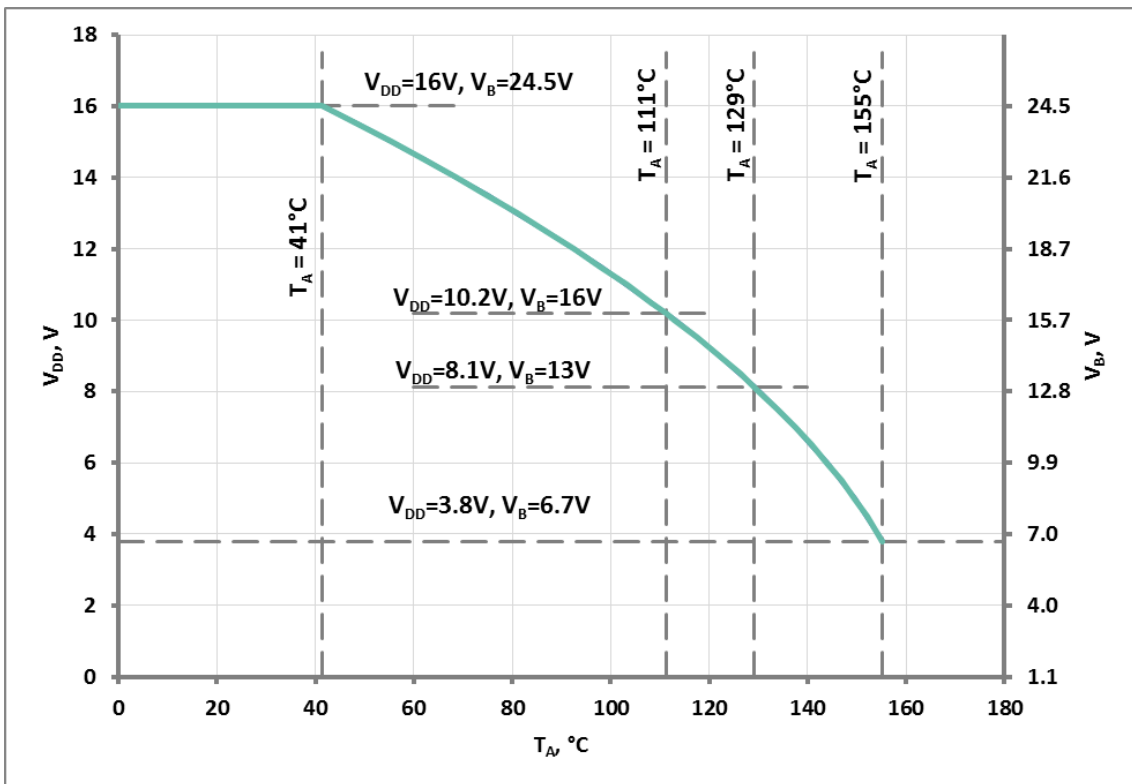
### 11.2. Supply Current Diagram



### 11.3. Power Dissipation Derating Curve



### 11.4. Voltage Derating Curve (valid for $R_S=182\Omega$ )





## 12. Standard information regarding manufacturability of Melexis products with different soldering processes

Our products are classified and qualified regarding soldering technology, solderability and moisture sensitivity level according to following test methods:

### Reflow Soldering SMD's (Surface Mount Device)s

- IPC/JEDEC J-STD-020  
Moisture/Reflow Sensitivity Classification for Nonhermetic Solid State Surface Mount Devices (classification reflow profiles according to table 5-2)
- EIA/JEDEC JESD22-A113  
Preconditioning of Nonhermetic Surface Mount Devices Prior to Reliability Testing (reflow profiles according to table 2)

### Wave Soldering SMD's (Surface Mount Device)s and THD's (Through Hole Device)s

- EN60749-20  
Resistance of plastic- encapsulated SMD's to combined effect of moisture and soldering heat
- EIA/JEDEC JESD22-B106 and EN60749-15  
Resistance to soldering temperature for through-hole mounted devices

### Iron Soldering THD's (Through Hole Device)s

- EN60749-15  
Resistance to soldering temperature for through-hole mounted devices

### Solderability SMD's (Surface Mount Device)s and THD's (Through Hole Device)s

- EIA/JEDEC JESD22-B102 and EN60749-21  
Solderability

For all soldering technologies deviating from above mentioned standard conditions (regarding peak temperature, temperature gradient, temperature profile etc) additional classification and qualification tests have to be agreed upon with Melexis.

The application of Wave Soldering for SMD's is allowed only after consulting Melexis regarding assurance of adhesive strength between device and board.

Melexis recommends reviewing on our web site the General Guidelines [soldering recommendation](http://www.melexis.com/Quality_soldering.aspx) ([http://www.melexis.com/Quality\\_soldering.aspx](http://www.melexis.com/Quality_soldering.aspx)) as well as [trim&form recommendations](http://www.melexis.com/Assets/Trim-and-form-recommendations-5565.aspx) (<http://www.melexis.com/Assets/Trim-and-form-recommendations-5565.aspx>).

Melexis is contributing to global environmental conservation by promoting **lead free** solutions. For more information on qualifications of **RoHS** compliant products (RoHS = European directive on the Restriction Of the use of certain Hazardous Substances) please visit the quality page on our website: <http://www.melexis.com/quality.aspx>

## 13. ESD Precautions

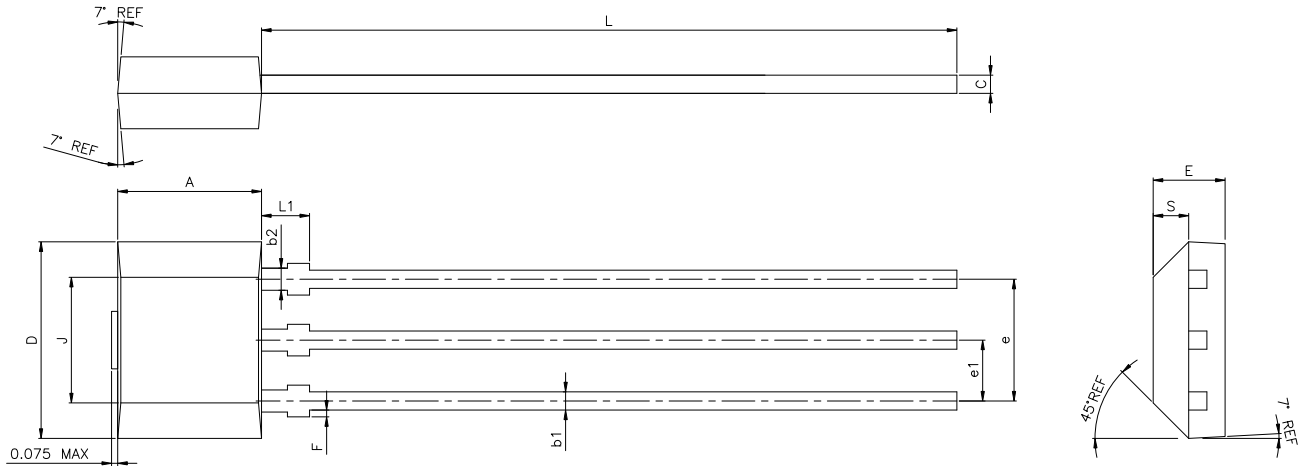
Electronic semiconductor products are sensitive to Electro Static Discharge (ESD).

Always observe Electro Static Discharge control procedures whenever handling semiconductor products.

## 14. Package Information

### 14.1. TO92 - 3L (UA Package) with integrated capacitor

#### 14.1.1. TO92-3L – Package dimensions

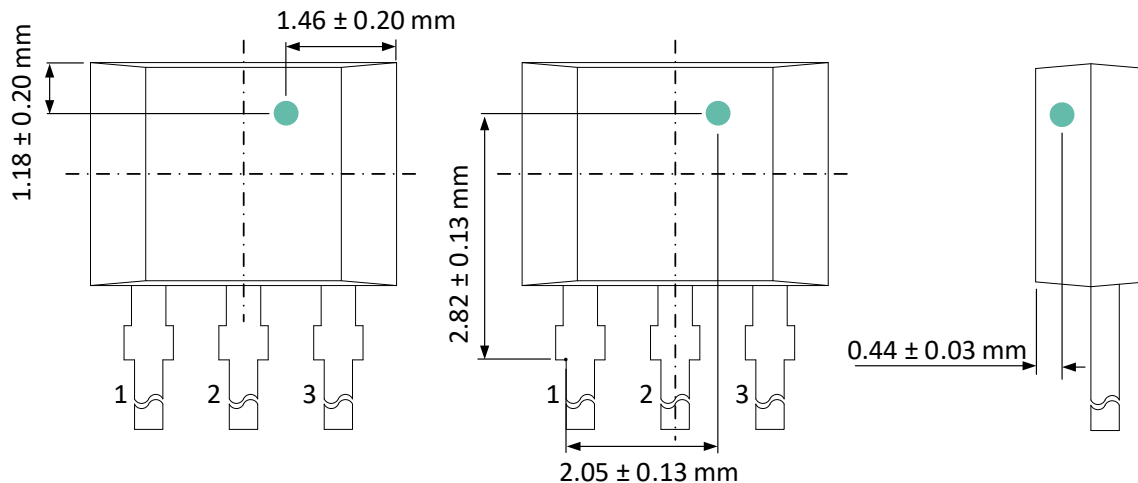


SYMBOL	MINIMUM	MAXIMUM
A	2.90	3.10
D	4.00	4.20
E	1.40	1.60
F	0.00	0.15
J	2.51	2.72
L	14.00	15.00
L1	0.90	1.10
S	0.63	0.84
b1	0.35	0.44
b2	0.43	0.52
c	0.35	0.44
e	2.51	2.57
e1	1.24	1.30

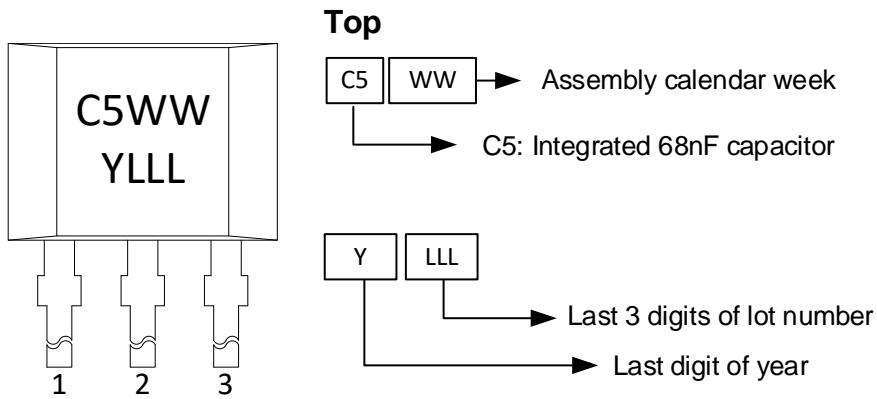
NOTES :

1. DIMENSIONS IN MILLIMETERS (mm) UNLESS NOTED OTHERWISE.
2. PACKAGE DIMENSIONS DO NOT INCLUDE MOLD FLASHES AND PROTRUSIONS.
3. DIMENSION A AND D DO NOT INCLUDE MOLD GATE AND SIDE FLASH (PROTRUSION) of MAXIMUM 0.127 mm PER SIDE.
4. THE LEADS MAY BE SLIGHTLY DEFORMED DURING TRANSPORTATION IF PACKED IN BULK (BAG), AFFECTING e1 DIMENSION. IT IS RECOMMENDED TO ORDER RADIAL TAPE (REEL OR AMMOPACK) IF SUCH DEFORMATION IS CRITICAL FOR THE LEAD FORMING PROCESS, EVEN IF MANUAL LOADING INTO THE TOOL IS FORESEEN.

#### 14.1.2. TO92-3L – Sensitive spot



### 14.1.3. TO92-3L – Package marking / Pin definition



Pin #	Name	Type	Function
1	VDD	Supply	Supply Voltage pin
2	TEST	I/O	For Melexis use only
3	GND	Ground	Ground pin

## 15. Contact

For the latest version of this document, go to our website at [www.melexis.com](http://www.melexis.com).

For additional information, please contact our Direct Sales team and get help for your specific needs:

Europe, Africa	Telephone: +32 13 67 04 95
	Email : sales_europe@melexis.com
Americas	Telephone: +1 603 223 2362
	Email : sales_usa@melexis.com
Asia	Email : sales_asia@melexis.com

## 16. Disclaimer

*The content of this document is believed to be correct and accurate. However, the content of this document is furnished "as is" for informational use only and no representation, nor warranty is provided by Melexis about its accuracy, nor about the results of its implementation. Melexis assumes no responsibility or liability for any errors or inaccuracies that may appear in this document. Customer will follow the practices contained in this document under its sole responsibility. This documentation is in fact provided without warranty, term, or condition of any kind, either implied or expressed, including but not limited to warranties of merchantability, satisfactory quality, non-infringement, and fitness for purpose. Melexis, its employees and agents and its affiliates' and their employees and agents will not be responsible for any loss, however arising, from the use of, or reliance on this document. Notwithstanding the foregoing, contractual obligations expressly undertaken in writing by Melexis prevail over this disclaimer.*

*This document is subject to change without notice, and should not be construed as a commitment by Melexis. Therefore, before placing orders or prior to designing the product into a system, users or any third party should obtain the latest version of the relevant information.*

*Users or any third party must determine the suitability of the product described in this document for its application, including the level of reliability required and determine whether it is fit for a particular purpose.*

*This document as well as the product here described may be subject to export control regulations. Be aware that export might require a prior authorization from competent authorities. The product is not designed, authorized or warranted to be suitable in applications requiring extended temperature range and/or unusual environmental requirements. High reliability applications, such as medical life-support or life-sustaining equipment or avionics application are specifically excluded by Melexis. The product may not be used for the following applications subject to export control regulations: the development, production, processing, operation, maintenance, storage, recognition or proliferation of:*

- 1. chemical, biological or nuclear weapons, or for the development, production, maintenance or storage of missiles for such weapons;*
- 2. civil firearms, including spare parts or ammunition for such arms;*
- 3. defense related products, or other material for military use or for law enforcement;*
- 4. any applications that, alone or in combination with other goods, substances or organisms could cause serious harm to persons or goods and that can be used as a means of violence in an armed conflict or any similar violent situation.*

*No license nor any other right or interest is granted to any of Melexis' or third party's intellectual property rights.*

*If this document is marked "restricted" or with similar words, or if in any case the content of this document is to be reasonably understood as being confidential, the recipient of this document shall not communicate, nor disclose to any third party, any part of the document without Melexis' express written consent. The recipient shall take all necessary measures to apply and preserve the confidentiality character of the document. In particular, the recipient shall (i) hold document in confidence with at least the same degree of care by which it maintains the confidentiality of its own proprietary and confidential information, but no less than reasonable care; (ii) restrict the disclosure of the document solely to its employees for the purpose for which this document was received, on a strictly need to know basis and providing that such persons to whom the document is disclosed are bound by confidentiality terms substantially similar to those in this disclaimer; (iii) use the document only in connection with the purpose for which this document was received, and reproduce document only to the extent necessary for such purposes; (iv) not use the document for commercial purposes or to the detriment of Melexis or its customers. The confidentiality obligations set forth in this disclaimer will have indefinite duration and in any case they will be effective for no less than 10 years from the receipt of this document.*

*This disclaimer will be governed by and construed in accordance with Belgian law and any disputes relating to this disclaimer will be subject to the exclusive jurisdiction of the courts of Brussels, Belgium.*

*The invalidity or ineffectiveness of any of the provisions of this disclaimer does not affect the validity or effectiveness of the other provisions. The previous versions of this document are repealed.*

*Melexis © - No part of this document may be reproduced without the prior written consent of Melexis. (2021)*

*IATF 16949 and ISO 14001 Certified*