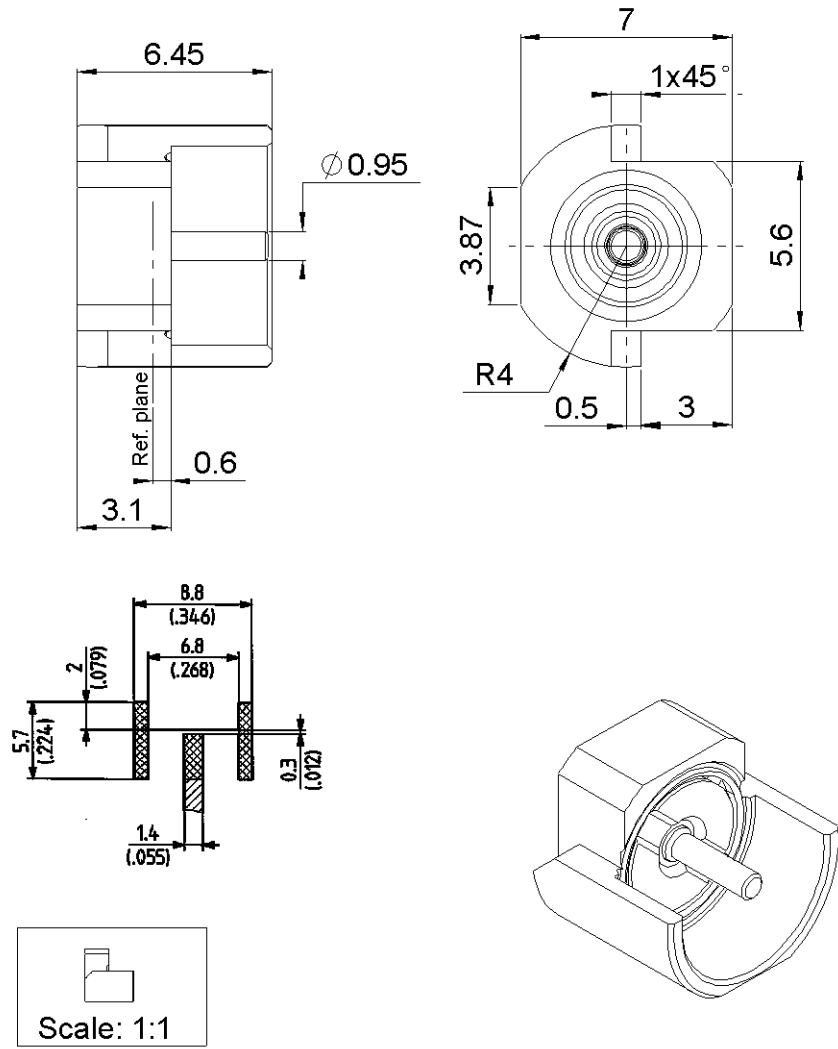
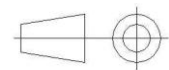


PAGE 1/2	ISSUE 08-03-16A	SERIES MMBX	PART NUMBER R223423010
----------	-----------------	-------------	------------------------



All dimensions are in mm.



COMPONENTS	MATERIALS	PLATING (μm)
Body	<b>BRASS</b>	<b>NPGR</b>
Center contact	<b>BRASS</b>	<b>NPGR</b>
Outer contact		
Insulator	<b>LIQUID CRYSTAL POLYMER,PTFE</b>	
Gasket		
Others parts		
-	-	-
-	-	-

PAGE 2/2	ISSUE <b>08-03-16A</b>	SERIES <b>MMBX</b>	PART NUMBER <b>R223423010</b>
----------	------------------------	--------------------	-------------------------------

**PACKAGING**

Standard	Unit	Other
<b>100</b>	<b>Contact us</b>	<b>Contact us</b>

**ELECTRICAL CHARACTERISTICS**

Impedance		<b>50</b>	$\Omega$
Frequency		<b>0-12.4</b>	GHz
VSWR	<b>*1.065</b>	<b>+</b>	<b>0.0000</b> x F(GHz) Maxi
Insertion loss		<b>0.12</b>	$\sqrt{F}$ (GHz) dB Maxi
RF leakage		<b>**100</b>	- F(GHz)) dB Maxi
Voltage rating		<b>330</b>	Veff Maxi
Dielectric withstanding voltage		<b>1000</b>	Veff mini
Insulation resistance		<b>1000</b>	M $\Omega$ mini

**ENVIRONMENTAL**

Operating temperature	<b>-55/+155</b>	$^{\circ}\text{C}$
Hermetic seal	<b>NA</b>	Atm.cm3/s
Panel leakage	<b>NA</b>	

**MECHANICAL CHARACTERISTICS**

Center contact retention			
Axial force – Mating End		<b>10</b>	N mini
Axial force – Opposite end		<b>10</b>	N mini
Torque		<b>NA</b>	N.cm mini
Recommended torque			
Mating		<b>NA</b>	N.cm
Panel nut		<b>NA</b>	N.cm
Mating life		<b>100</b>	Cycles mini
Weight		<b>1.0010</b>	g

**SPECIFICATION**

**OTHER CHARACTERISTICS**

Assembly instruction:

Others:

**\*To 6GHz**

**\*\*interface MMBX only up to 2.5GHz**