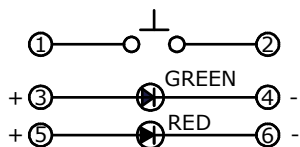


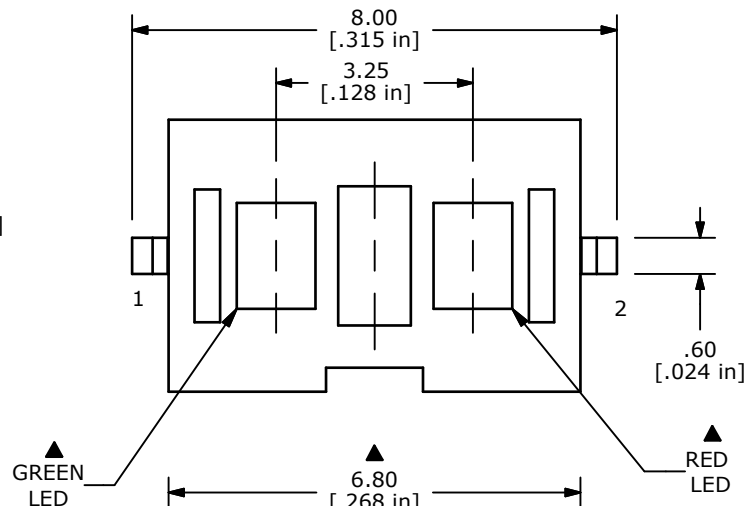
PC MOUNTING



CIRCUIT

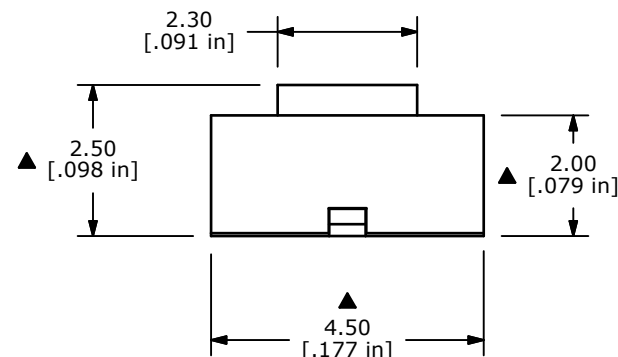
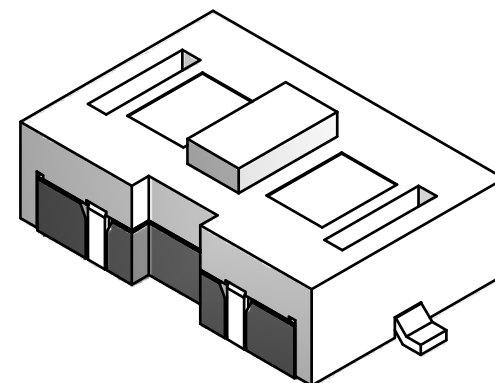
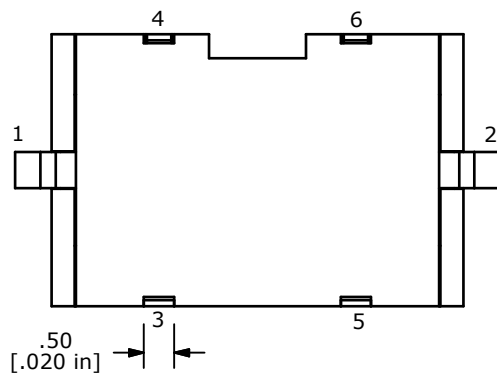
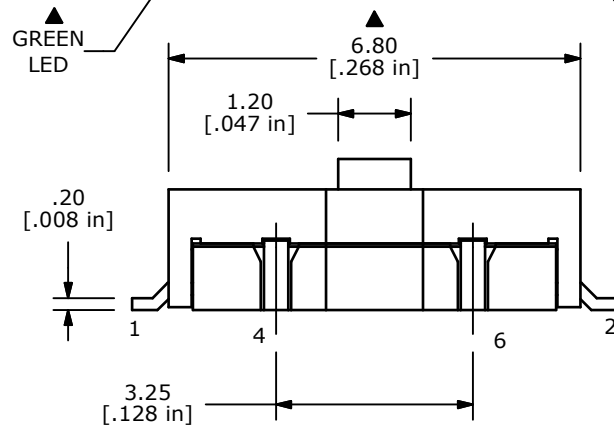
NOTES:

1. ALL DIMENSIONS IN MM [INCH]
2. GENERAL TOLERANCE: X.X=±0.4
X.XX=±0.25
3. RATING: 12VDC, 50mA MAX.
4. CONTACT RESISTANCE: 500mΩ MAX.
5. INSULATION RESISTANCE: 100VDC, 100MΩ MIN.
6. TRAVEL: 0.25 mm
- ▲ 7. OPERATING FORCE: 160 +75/-30gf
8. OPERATING TEMPERATURE: -20°C TO 70°C
9. OPERATING LIFE: 30,000 CYCLES.
10. PACKAGING: TAPE & REEL, 3000 PIECES PER REEL
11. ▲ DENOTES CRITICAL PARAMETER
12. 2002/95/EC (ROHS) COMPLIANT



GREEN LED

RED LED



LED Specifications	Units	Green	Red
Forward Current	mA	30	15
Forward Voltage	V	1.7-2.6	1.7-2.6
Luminous Intensity@20mA	mcd	6	4

REV	PCR NO	DESCRIPTION	DATE	BY
D	18117	CORRECT DRAWING VIEWS (MODELS)	5/29/08	BLR
C	17246	CHANGED PCS PER REEL	5/2/07	TN
B	17126	FIXED TITLE, NOTES	3/20/07	TN



TITLE TL3200AF160GRQ

SCALE	8:1	DATE	5/29/2008	DR	BLR	DWG	B200100	REV	D
-------	-----	------	-----------	----	-----	-----	---------	-----	---

THE INFORMATION CONTAINED IN THIS DOCUMENT IS PROPRIETARY TO E-SWITCH AND IS NOT TO BE COPIED OR TRANSFERRED