

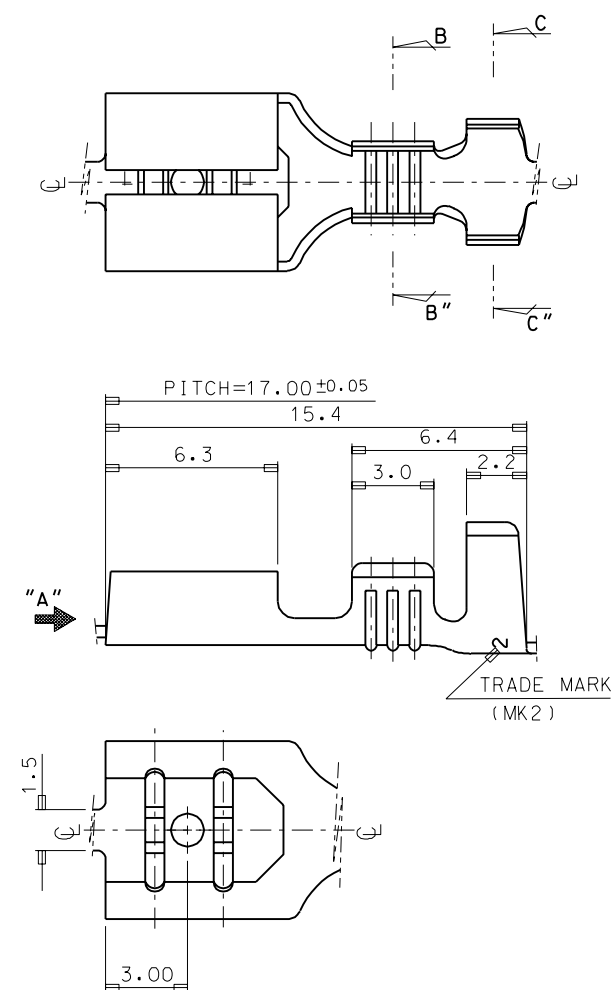
DO NOT SCALE DRAWING
 DIMENSION IN METRIC

PROJECT NO.

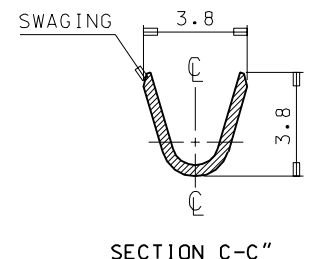
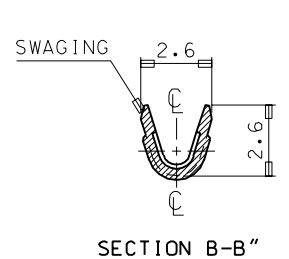
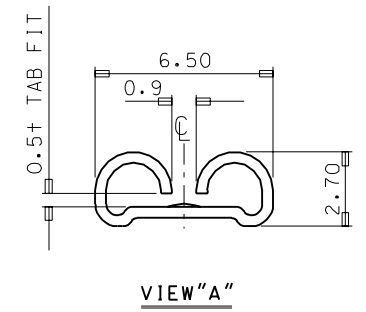
SIMILAR ITEM

EDP NO.

ENG. NO
 SD 35720-11*0



- NOTES
1. MATERIAL: BRASS , 0.40mm THICKNESS
 2. FINISH: 35720-1100 : UNPLATED
 35720-1110 : POST-PLATED TIN
 3. RECOMMENDED LENGTH OF WIRE STRIP IS 4.1-4.6mm.



ASS'Y PART		QTY/REEL OR PACK	SURFACE AREA	MATERIAL	SEE NOTES	WIRE RANGE	GENERAL TOLERANCES	MOLEX MOLEX-KOREA CO.,LTD.
DESCRIPTION	ENG.NO.	7,000 Q'TY /REEL	MM ²	DIMENSION CLASSIFICATION		AWG: #24-#22	DIM. : ±0.30	
---	---	DIE NO. ---	LAYOUT NO. ---	<input checked="" type="checkbox"/> : CRITICAL <input checked="" type="checkbox"/> : MAJOR <input type="checkbox"/> : MINOR () : REFERENCE		MM ² : 0.20-0.33	ANGLE : ±0.20	
A	NEW RELEASED	DR. 93-018	---	WIRE CRIMP WIDTH	INS. CRIMP WIDTH	INSULATION RANGE	REVISE ONLY ON CAD SYSTEM	
LTR	REVISION RECORD	ECN	DATE	DIE FEED	APPL FEED	WBDW	IBDW	TITLE: .205 SLIP-ON RECEPTACLE 1 of 1
8	7	6	5	4	3	2	1	ENG.NO. SD 35720-11*0 REV A