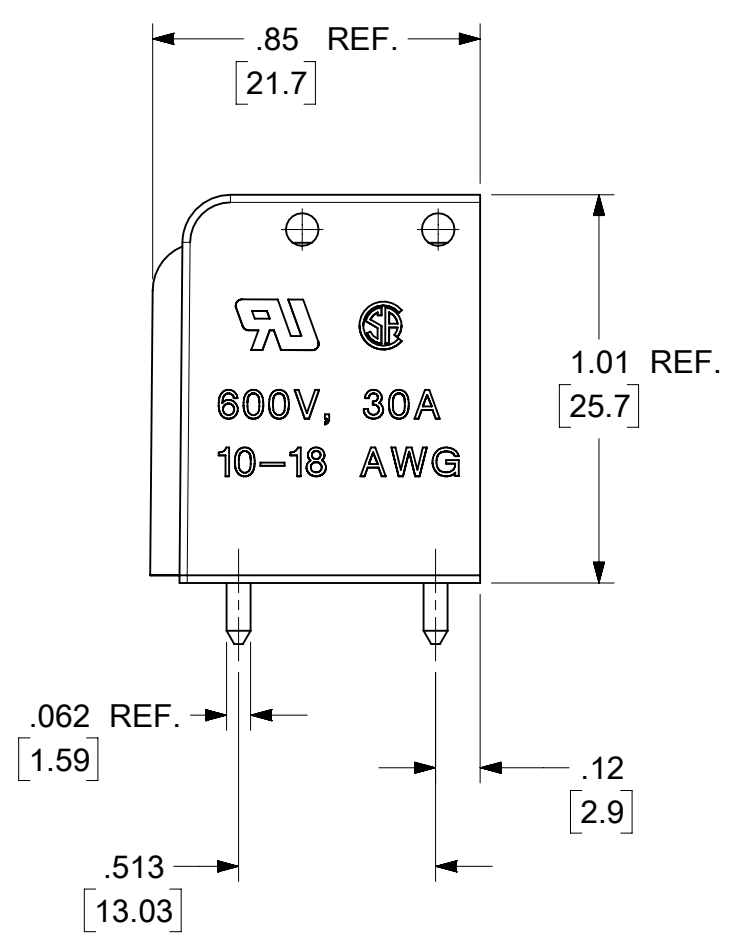
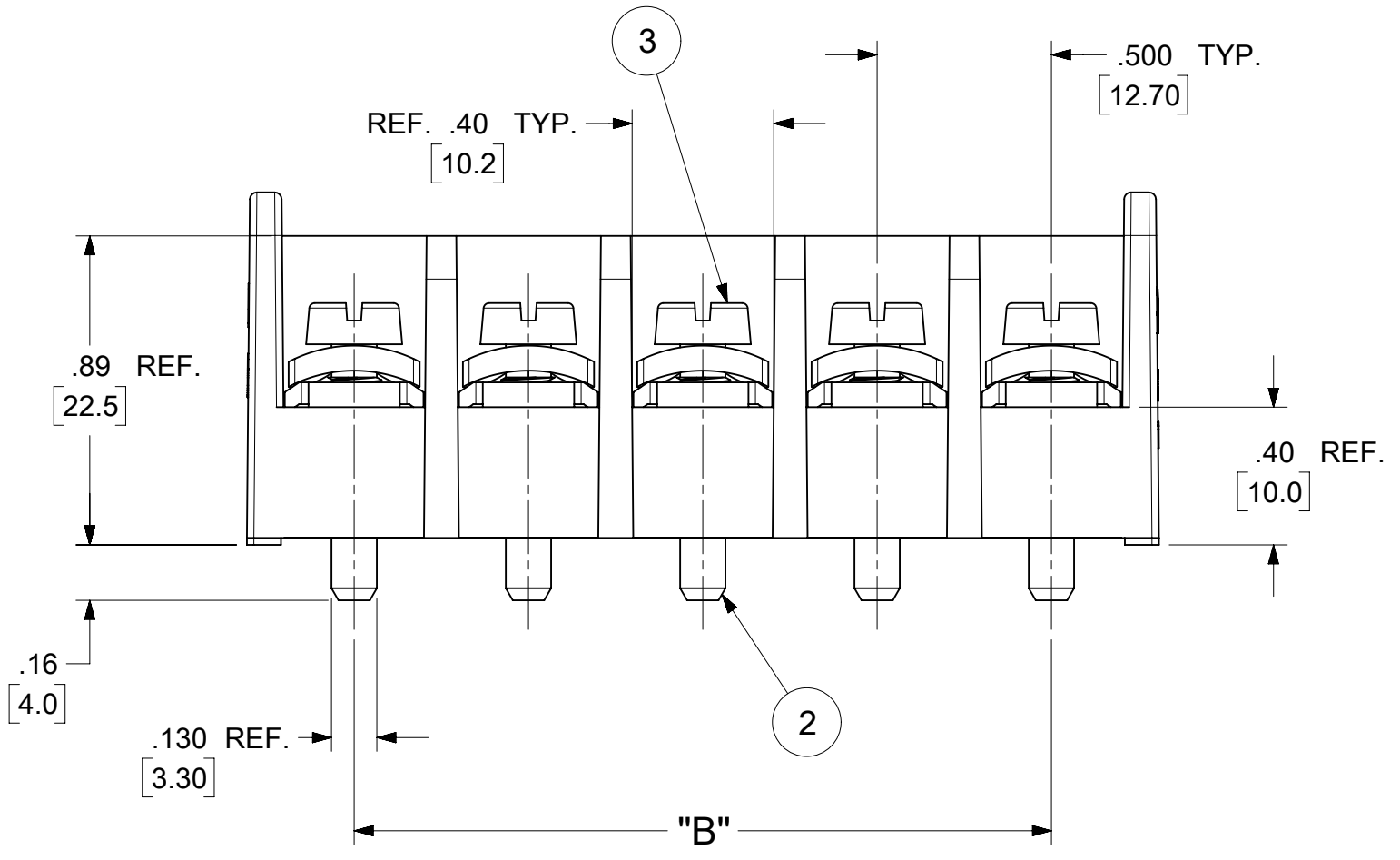
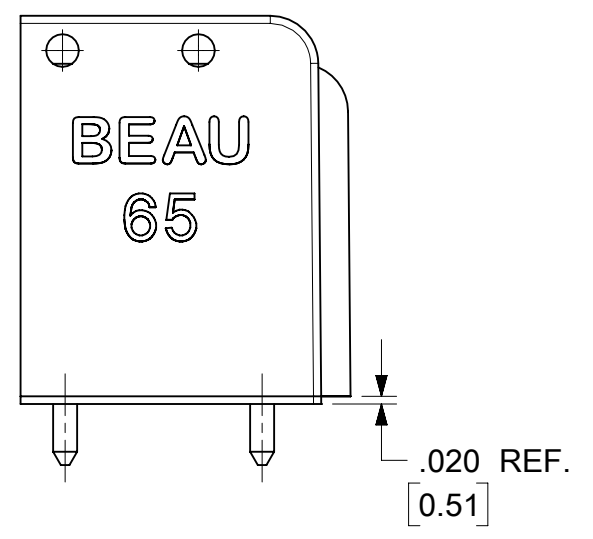
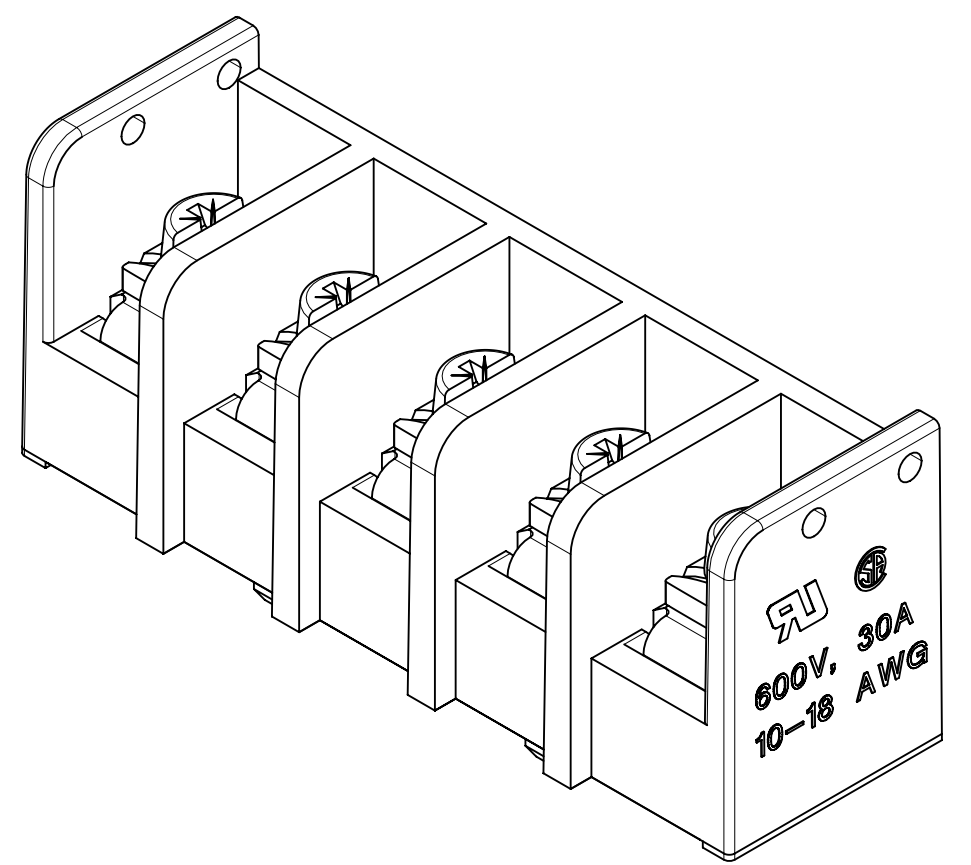
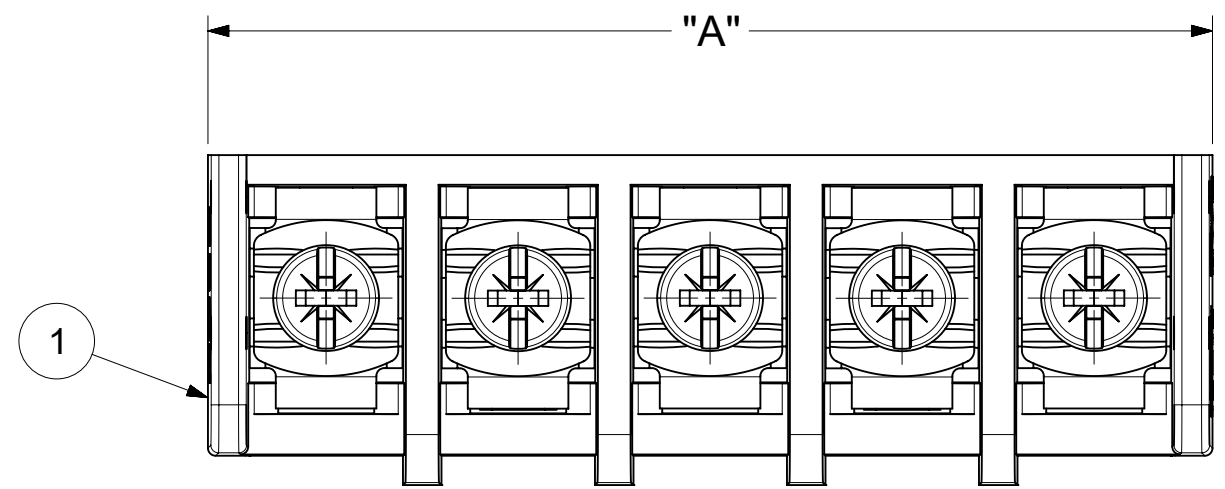
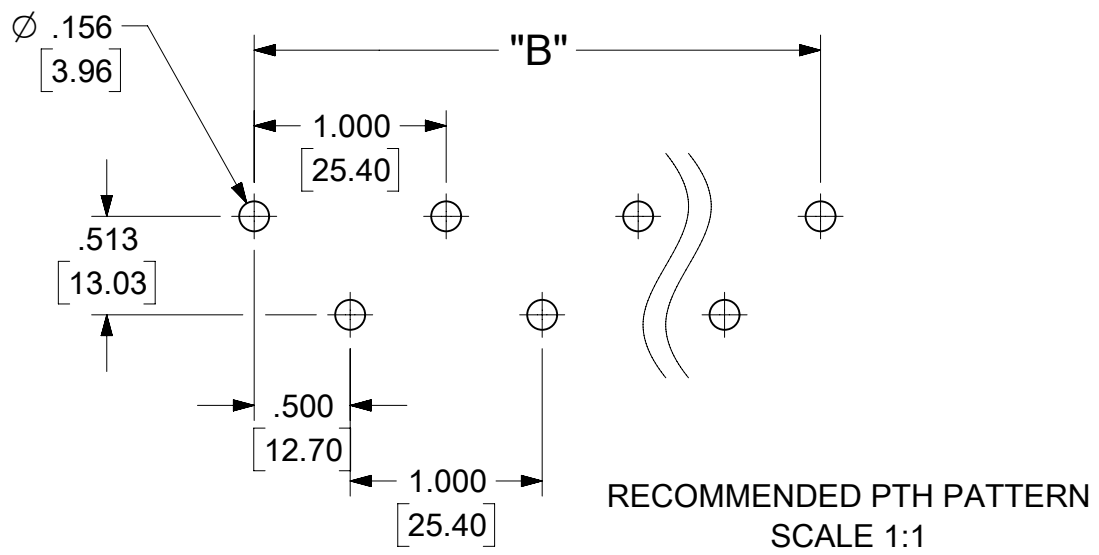


POLES	MATERIAL NO.	ENGINEERING NO.	"A"		"B"	
			IN	mm	IN	mm
8	386598002	65508-C-P-88-SPCL-	4.11	[104.4]	3.50	[88.9]



- NOTES:
1. MATERIAL: SEE TABLE
 2. FINISH: SEE TABLE
 3. WIRE RANGE: 18-10 AWG
 4. ELECTRICAL SPECS:
VOLTAGE: 600V
CURRENT: 30A
 5. TIGHTENING TORQUE: 16 IN. LBS.
 6. "XX" REFERS TO QUANTITY OF CIRCUITS
 7. PART IS ROAH COMPLIANT

ITEM	QTY.	DESCRIPTION	MATERIAL	FINISH
3	XX	SCREW & WASHER, M4 X 0.7	STEEL	ZINC/CL CHROMATE
2	XX	TERMINAL, PC SHORT, 600V	BRASS	TIN PLATED
1	1	INSULATOR, SINGLE ROW, BTS	PBT	BLACK

A1

Total Pitch Tolerances in mm										Nominal dimension range in mm										⊥	≡	—	//			
over	over	over	over	over	over	over	over	over	over	over	over	over	over	over	over	over	over	over	over	over	0	over	all	0	100	over
0	30	53	70	90	115	150	200	250	320	0	30	53	70	90	115	150	200	250	320	10			100	150		
to	to	to	to	to	to	to	to	to	to	to	to	to	to	to	to	to	to	to	to							
±0.18	±0.20	±0.25	±0.30	±0.35	±0.44	±0.55	±0.70	±0.75	±0.25	±0.30	±0.35	±0.44	±0.55	±0.70	±0.80	±0.90	±0.90	0.2	0.3	0.3	0.2	0.3	0.5			

THIS DRAWING CONTAINS INFORMATION THAT IS PROPRIETARY TO MOLEX ELECTRONIC TECHNOLOGIES, LLC AND SHOULD NOT BE USED WITHOUT WRITTEN PERMISSION

FUNCTIONAL SYMBOLS: FA=0, FC=0, FP=0

DIMENSION UNITS: INCH/MM, SCALE: 2:1

GENERAL TOLERANCES (UNLESS SPECIFIED): 4 PLACES ± --- ± ---, 3 PLACES ± --- ± SEE CHART, 2 PLACES ± SEE CHART ± SEE CHART, 1 PLACE ± SEE CHART ± ---, 0 PLACES ± --- ± ---

ANGULAR TOL ± 1°

DRAFT WHERE APPLICABLE MUST REMAIN WITHIN DIMENSIONS

THIRD ANGLE PROJECTION

DRAWING: C-SIZE, SERIES: 38659

CURRENT REV DESC: MIGRATED TO ECTR/NX. ADDED TOLERANCE CHART. REMOVED OBSOLETE PNS 386598001 & 386598003

EC NO: 750592
DRWN: ABENJAMINLW
CHK'D: DACHAMMER
APPR: JFMURPHY
2021/05/10
2023/05/23
2023/05/23

INITIAL REVISION:
DRWN: RSTONE
APPR: JFMURPHY
2014/11/20
2014/12/17

PRODUCT CUSTOMER DRAWING

DOCUMENT NUMBER: SD-38659-004, DOC TYPE: PSD, DOC PART: 001, REVISION: A1

MATERIAL NUMBER: SEE CHART, CUSTOMER: GENERAL MARKET, SHEET NUMBER: 1 OF 1

.500 SR BTS 30A ASSY -C-P-88