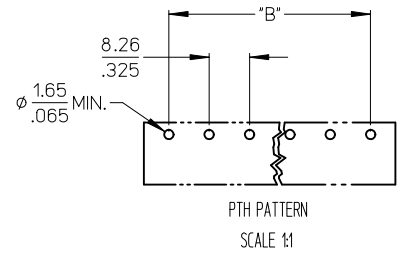
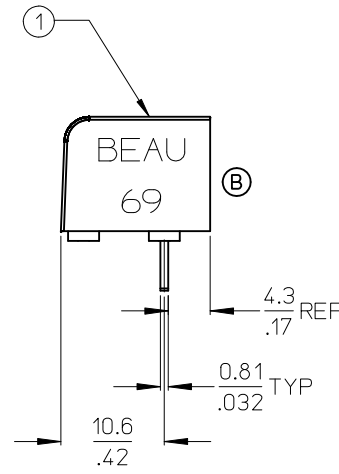
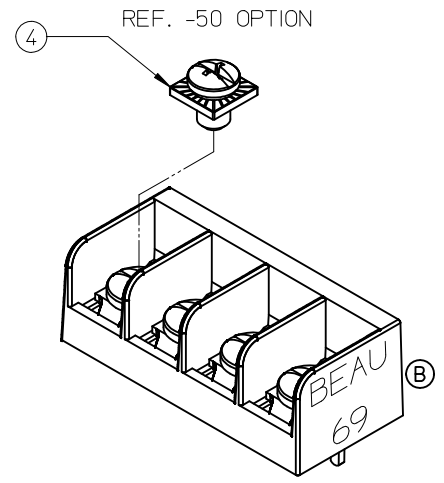
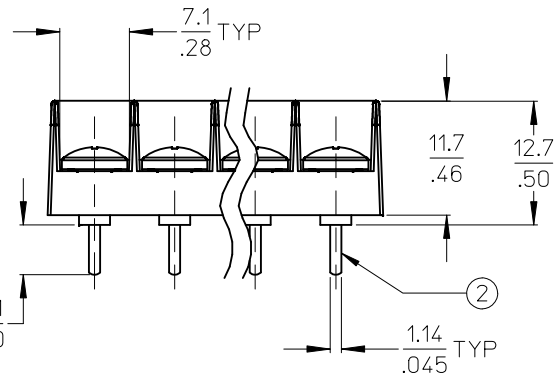
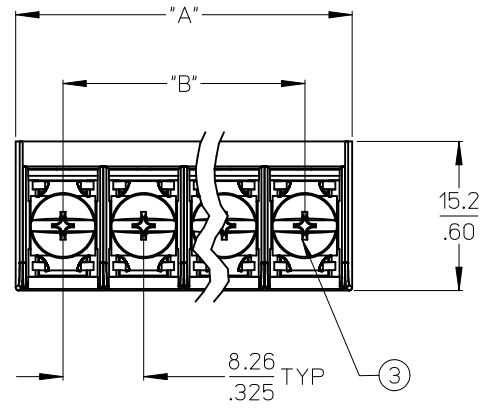


| NO. OF CIRCUITS | DIM. "A" |       | DIM. "B" |       | ASSEMBLY MATERIAL NO. (STANDARD) | ASSEMBLY MATERIAL NO. (-50 OPT) |
|-----------------|----------|-------|----------|-------|----------------------------------|---------------------------------|
|                 | mm       | in    | mm       | in    |                                  |                                 |
| 02              | 17.9     | .71   | 8.3      | .33   | 386906602                        | 386907802                       |
| 03              | 26.2     | 1.03  | 16.5     | .65   | 386906603                        | 386907803                       |
| 04              | 34.4     | 1.36  | 24.8     | .98   | 386906604                        | 386907804                       |
| 05              | 42.7     | 1.68  | 33.0     | 1.30  | 386906605                        | 386907805                       |
| 06              | 50.9     | 2.01  | 41.3     | 1.63  | 386906606                        | 386907806                       |
| 07              | 59.2     | 2.33  | 49.5     | 1.95  | 386906607                        | 386907807                       |
| 08              | 67.4     | 2.66  | 57.8     | 2.28  | 386906608                        | 386907808                       |
| 09              | 75.7     | 2.98  | 66.0     | 2.60  | 386906609                        | 386907809                       |
| 10              | 83.9     | 3.31  | 74.3     | 2.93  | 386906610                        | 386907810                       |
| 11              | 92.2     | 3.63  | 82.6     | 3.25  | 386906611                        | 386907811                       |
| 12              | 100.5    | 3.96  | 90.8     | 3.58  | 386906612                        | 386907812                       |
| 13              | 108.7    | 4.28  | 99.1     | 3.90  | 386906613                        | 386907813                       |
| 14              | 117.0    | 4.61  | 107.3    | 4.23  | 386906614                        | 386907814                       |
| 15              | 125.2    | 4.93  | 115.6    | 4.55  | 386906615                        | 386907815                       |
| 16              | 133.5    | 5.26  | 123.8    | 4.88  | 386906616                        | 386907816                       |
| 17              | 141.7    | 5.58  | 132.1    | 5.20  | 386906617                        | 386907817                       |
| 18              | 150.0    | 5.91  | 140.3    | 5.53  | 386906618                        | 386907818                       |
| 19              | 158.2    | 6.23  | 148.6    | 5.85  | 386906619                        | 386907819                       |
| 20              | 166.5    | 6.56  | 156.8    | 6.18  | 386906620                        | 386907820                       |
| 21              | 174.8    | 6.88  | 165.1    | 6.50  | 386906621                        | 386907821                       |
| 22              | 183.0    | 7.21  | 173.4    | 6.83  | 386906622                        | 386907822                       |
| 23              | 191.3    | 7.53  | 181.6    | 7.15  | 386906623                        | 386907823                       |
| 24              | 199.5    | 7.86  | 189.9    | 7.48  | 386906624                        | 386907824                       |
| 25              | 207.8    | 8.18  | 198.1    | 7.80  | 386906625                        | 386907825                       |
| 26              | 216.0    | 8.51  | 206.4    | 8.13  | 386906626                        | 386907826                       |
| 27              | 224.3    | 8.83  | 214.6    | 8.45  | 386906627                        | 386907827                       |
| 28              | 232.5    | 9.16  | 222.9    | 8.78  | 386906628                        | 386907828                       |
| 29              | 240.8    | 9.48  | 231.1    | 9.10  | 386906629                        | 386907829                       |
| 30              | 249.0    | 9.81  | 239.4    | 9.43  | 386906630                        | 386907830                       |
| 31              | 257.3    | 10.13 | 247.7    | 9.75  | 386906631                        | 386907831                       |
| 32              | 265.6    | 10.46 | 255.9    | 10.08 | 386906632                        | 386907832                       |



4 CIRCUITS ASSY' SHOWN AS REFERENCE

NOTES:  
 1. MATERIAL: SEE TABLE  
 2. FINISHES: SEE TABLE.  
 3. "XX" REFERS TO THE QUANTITY OF CIRCUITS.  
 4. ROHS COMPLIANT.

| ITEM | QTY. | DESCRIPTION                                  | MATERIAL        | FINISH             |
|------|------|--|-----------------|--------------------|
| 4    | XX   | SCREW #6-32X.155 PAN PHLZLN/BR/STEEL -50 OPT | STEEL           | ZN, CLEAR CHROMATE |
| 3    | XX   | SCREW #6-32X.160 PAN PHLN/BRASS (STANDARD)   | BRASS           | NICKEL PLATE       |
| 2    | XX   | TERMINAL, PC                                 | BRASS           | TIN PLATE          |
| 1    | 1    | INSULATOR                                    | POLYESTER (PBT) | BLACK              |

REMOVE "USA"  
 EC NO: IPG2012-0967  
 DRAWN: ENC INAS 2012/05/22  
 CHKD: JMACNEIL 2012/05/31  
 APPR: JMACNEIL 2012/06/01

QUALITY SYMBOLS  
 ▽=0  
 ▽=0

GENERAL TOLERANCES (UNLESS SPECIFIED)

|          | mm     | INCH   |
|----------|--------|--------|
| 4 PLACES | ± ---  | ± ---  |
| 3 PLACES | ± ---  | ± .005 |
| 2 PLACES | ± 0.13 | ± .01  |
| 1 PLACE  | ± 0.3  | ± ---  |

ANGULAR ± 2 °

DRAFT WHERE APPLICABLE MUST REMAIN WITHIN DIMENSIONS

DIMENSION STYLE: MM/IN  
 SCALE: 2:1  
 DESIGN UNITS: INCH  
 THIRD ANGLE PROJECTION  
 DRAWN BY: AHIDALGO DATE: 2007/04/02  
 CHECKED BY: JENCINAS DATE: 2007/04/02  
 APPROVED BY: JMACNEIL DATE: 2012/06/01

TITLE: 8.26/.325 SR TRI-BARRIER TERMINAL STRIP CS, PC ASSY  
 MOLEX INCORPORATED  
 MATERIAL NO. SEE CHART  
 DOCUMENT NO. SD-38690-001  
 SHEET NO. 1 OF 1

THIS DRAWING CONTAINS INFORMATION THAT IS PROPRIETARY TO MOLEX INCORPORATED AND SHOULD NOT BE USED WITHOUT WRITTEN PERMISSION