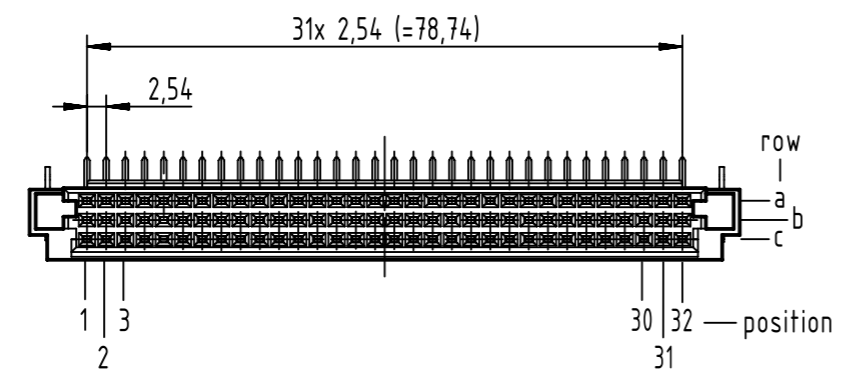
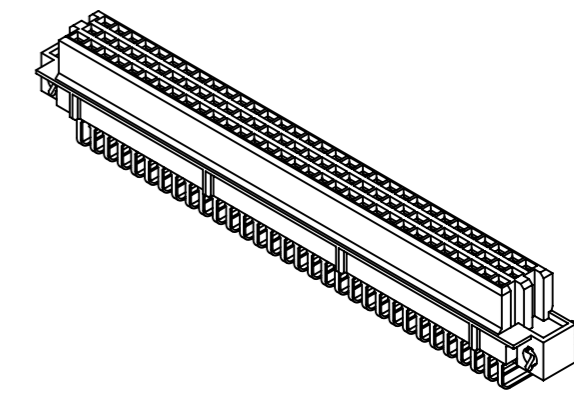
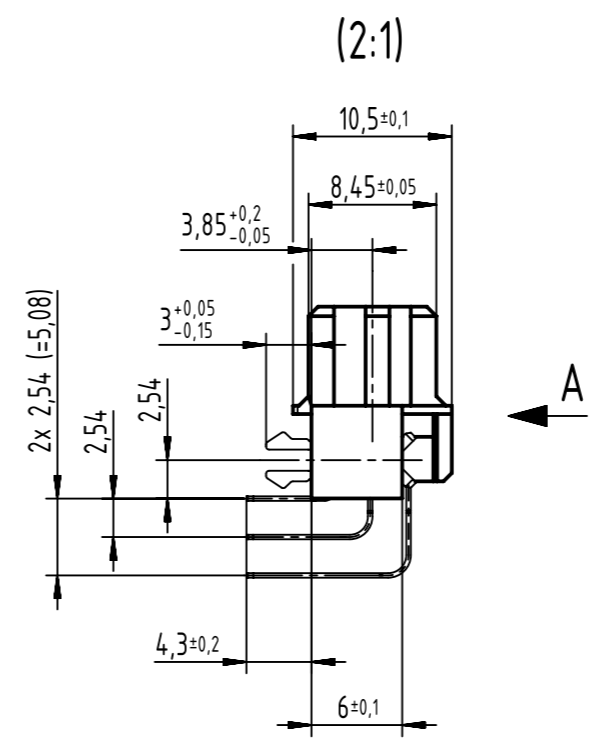
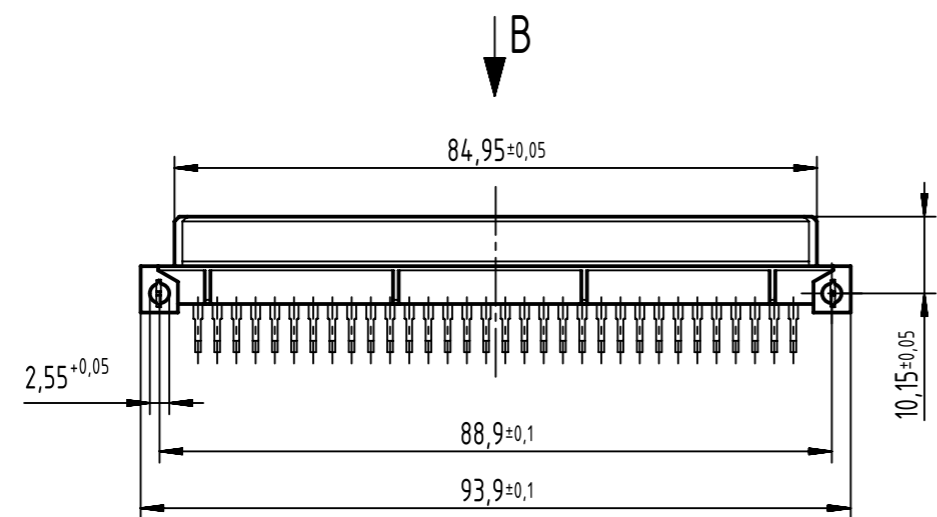


96 signal contacts

= position with contacts

= position without contacts



1 further information see: DS 09732200201

09 73 496 6855	2
part no.	performance level 1

	All Dimensions in mm Original Size DIN A3		Scale 1:1	Free size tol.		Ref.
	All rights reserved Department EC PD - DE		Created by HASELOH	Inspected by WOLF	Standardisation KOHLER	Date 2016-10-07
HARTING Electronics GmbH D-32339 Espelkamp		Title DIN-Signal R096FS-4,5C1-2-cl			Doc-Key / ECM-Nr. 100614124/UGD/002/A 500000109759	
		Type TB	Number 0973496X855		Rev. A	Page 1/1