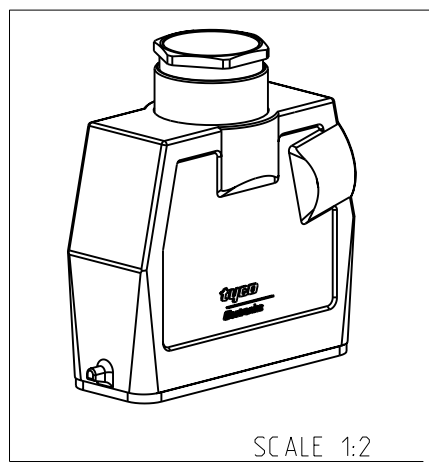
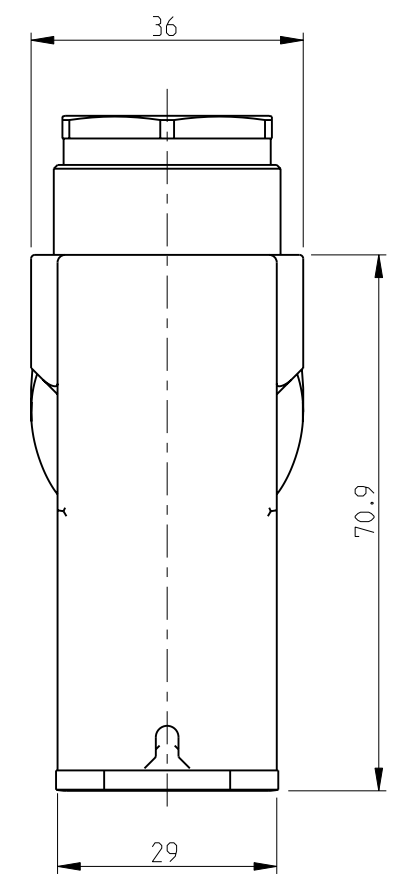
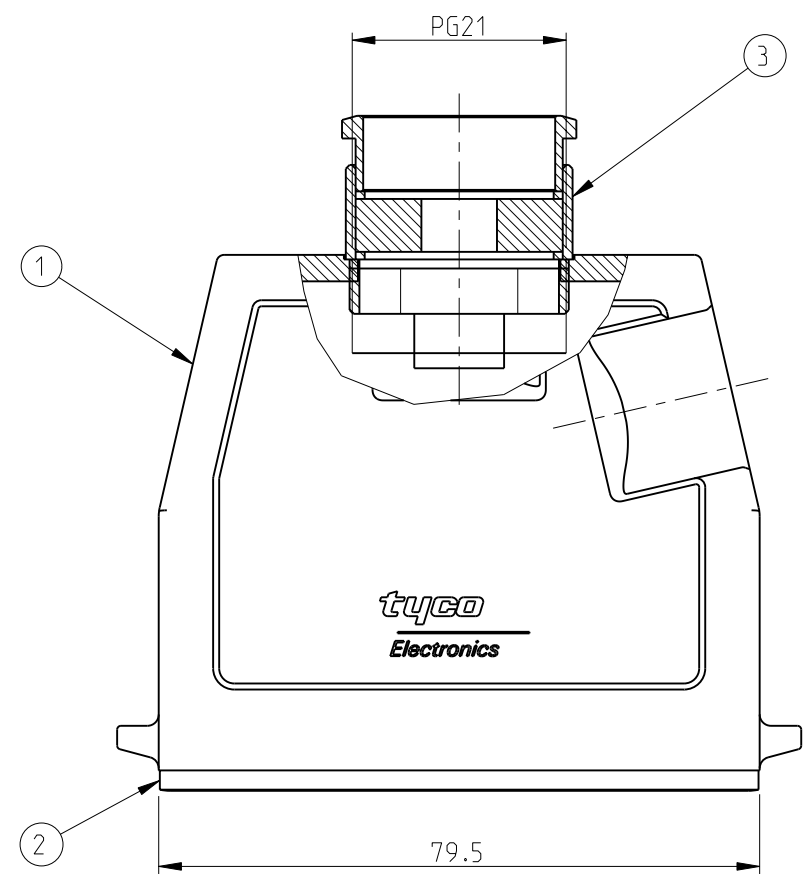


THIS DRAWING IS UNPUBLISHED. RELEASED FOR PUBLICATION 2000  
 © COPYRIGHT 2000 BY TYCO ELECTRONICS CORPORATION. ALL RIGHTS RESERVED.

LOC	DIST	REVISIONS				
P	LTR	DESCRIPTION	DATE	DWN	APVD	
A1	-	B2	RELEASED AS PER ECR-09-005170	05.MAR.2009	GG	TS

- NOTES:
- 1 MATERIAL: SEE TABLE
  - 2 COLOR: SEE TABLE
  - 3 VARNISH ON THE INSIDE NOT NECESSARY
  - 4 PACKAGING QUANTITY: 5 PIECES PER BOX



PN 1-7 AS SHOWN

1	2	3	4	5	6	
1	CABLE FITTING ROUND	BRASS	NICKEL PLATED	BLUE	3	PG21
1	PROFILE SEAL	NEOPRENE		BLACK	2	
1	HOOD HD.25-PG THREADS	ALUMINIUM		GREY	1	
1-7	DESCRIPTION	MATERIAL	SURFACE	COLOR	ITEM NO.	REMARKS

ORDERING TEXT  
HD25.STO.1.21

<small>THIS DRAWING IS A CONTROLLED DOCUMENT FOR TYCO ELECTRONICS CORPORATION          IT IS SUBJECT TO CHANGE AND THE CONTROLLING ENGINEERING ORGANIZATION          SHOULD BE CONTACTED FOR THE LATEST REVISION.</small>	
DIMENSIONS:	TOLERANCES UNLESS OTHERWISE SPECIFIED:
mm	0 PLC ± 1 PLC ± 2 PLC ± 3 PLC ± 4 PLC ± ANGLES ±
	<small>n.ISO 8015: n.ISO 2768-mH-E: n.DIN 16901-120</small>
MATERIAL	FINISH
1	2

DWN	S.KUMAR	4/20/2006	Tyco Electronics.AMP.GmbH 53757,SanktAugustin,Germany		
CHK	P.BENNUR	4/20/2006	NAME		
APVD	T.SCHNURPFEL	4/20/2006	HOOD HD25.STO.1.21		
PRODUCT SPEC	108-74009		SIZE	CAGE CODE	DRAWING NO
APPLICATION SPEC	114-74001		A3	00779	1102537
WEIGHT	-		RESTRICTED TO		
CUSTOMER DRAWING			SCALE	SHEET	REV
			1:1	1 OF 1	B2