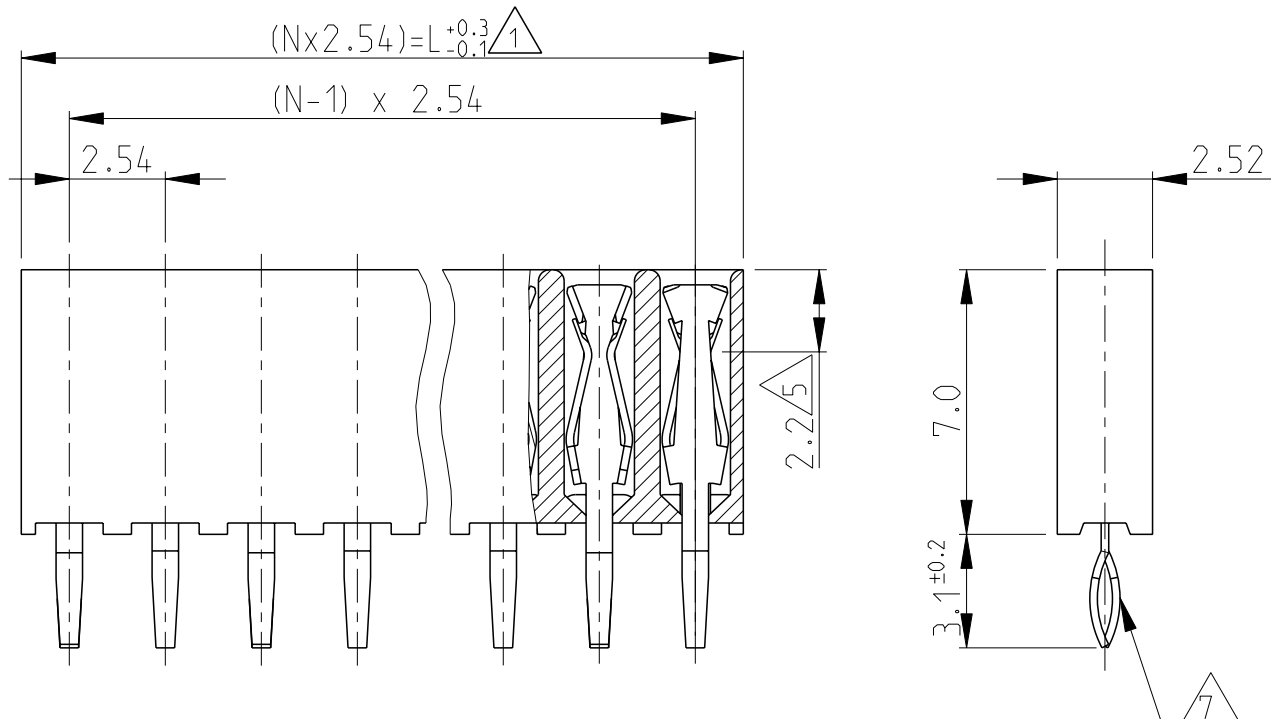


© 2019 TE Connectivity. All Rights Reserved.

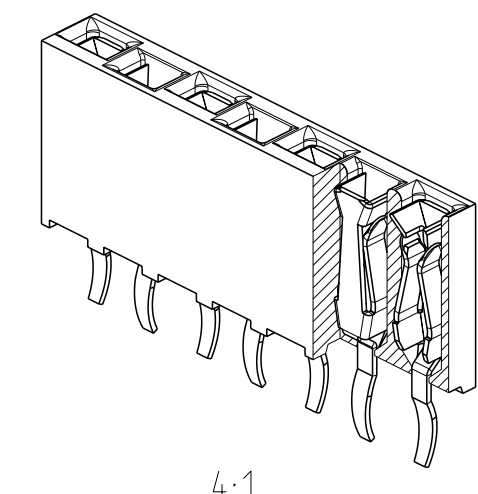
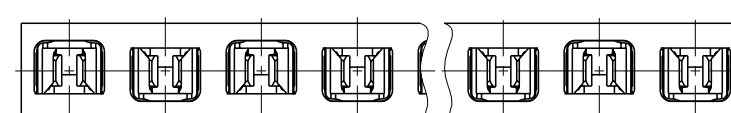
REVISIONS

POS.	L	PART-NO.	
2	5.08	215298-2	
3	7.62	-3	OBSOLETE
4	10.16	-4	
5	12.70	-5	
6	15.24	-6	
7	17.78	-7	
8	20.32	-8	
9	22.86	-9	OBSOLETE
10	25.40	1- -0	OBSOLETE
11	27.94	1- -1	
12	30.48	1- -2	OBSOLETE
13	33.02	1- -3	
14	35.56	1- -4	
15	38.10	1- -5	
16	40.64	1- -6	
17	43.18	1- -7	OBSOLETE
18	45.72	1- -8	OBSOLETE
19	48.26	1- -9	
20	50.80	2- -0	
21	53.34	2- -1	OBSOLETE
22	55.88	2- -2	
23	58.42	2- -3	
24	60.96	2- -4	
25	63.50	2- -5	OBSOLETE
26	66.04	2- -6	OBSOLETE
27	68.58	2- -7	
28	71.12	2- -8	
29	73.66	2- -9	
30	76.2	3- -0	OBSOLETE
31	78.74	3- -1	
32	81.28	3- -2	
33	83.82	3- -3	
34	86.36	3- -4	
35	88.90	3- -5	
36	91.44	3-215298-6	

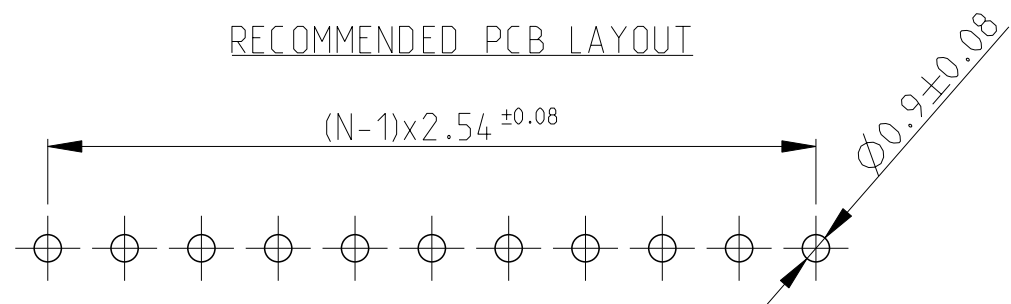
P	LTR	DESCRIPTION	DATE	DWN	APVD
	F	PLASTIC MATERIAL SUPPLIER CHANGE	18MAR2019	SS	PS



- NOTES:
- 1. TO DETERMINE DIMENSIONS TAKE N = NO. OF POS.  
FOR EXAMPLE: 10 POS.: N x 2,54 = 25,4 mm  
FOR ORDER NO. USE BASIC NO. + NO. OF POS.  
FOR EXAMPLE: 2 POS.= 215298-2 (SHORTEST VERSION)  
36 POS.= 3-215298-6 (LONGEST VERSION)
  - 2. HOUSING MATERIAL: PBT GREEN GLASSFILLED, UL 94V-0.  
CONTACT MATERIAL: PHOSPHOR BRONZE.
  - 3. PLATING: 2,5 µm-4,0 µm TIN OVER MIN 0,5 µm NICKEL
  - 4. MATES WITH 0.63 SQUARE/ROUND MODU POSTS.
  - 5. CONTACT-POINT.
  - 6. RECOMMENDED P.C.BOARD-THICKNESS: 1,6mm.
  - 7. PC-BOARD RETENTION FEATURE.
  - 8. HV100 CONNECTOR PACKED IN ANTISTATIC BLISTER TRAY
  - 9. RETENTION FORCE MUST BE MINIMUM 5N PER CONTACT



RECOMMENDED PCB LAYOUT



THIS DRAWING IS A CONTROLLED DOCUMENT.		DWN A.HO	24FEB1989		
DIMENSIONS: mm		CHK M.SCHAARSCHMIDT	24FEB1989		
TOLERANCES UNLESS OTHERWISE SPECIFIED:		APVD G.FELDMEIER	-	NAME HV 100 CONNECTOR ; VERTICAL ; 7.0mm TOP ENTRY; SINGLE ROW ; TIN	
0 PLC ±0.15		PRODUCT SPEC	108-19056	SIZE A3	CAGE CODE 00779
1 PLC ±		APPLICATION SPEC	-	DRAWING NO C-215298	RESTRICTED TO
2 PLC ±		WEIGHT	-	SCALE 5:1	SHEET 1 OF 1
3 PLC ±		CUSTOMER DRAWING		REV F	
4 PLC ±					
ANGLES ±					
MATERIAL 2		FINISH 3			