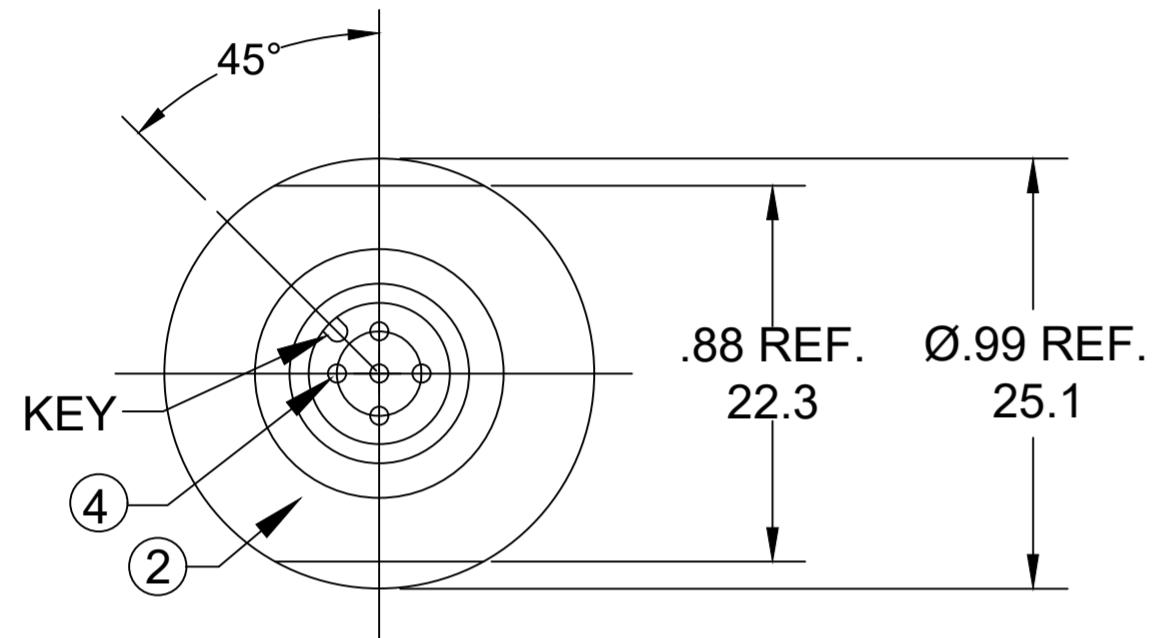
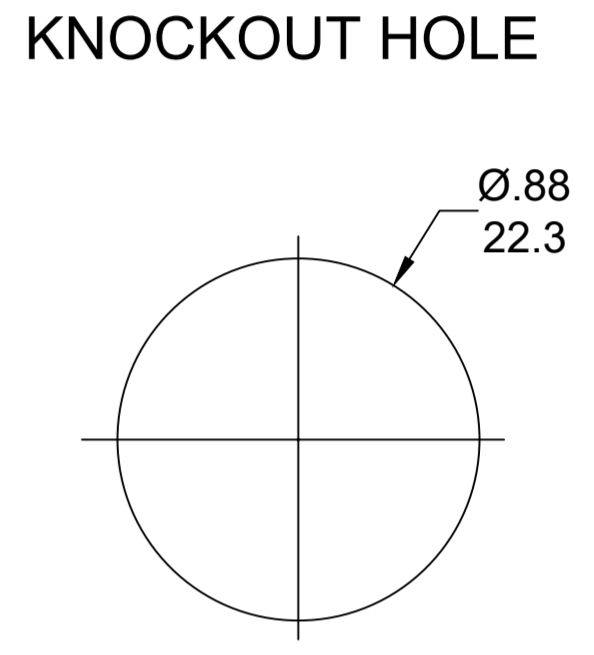
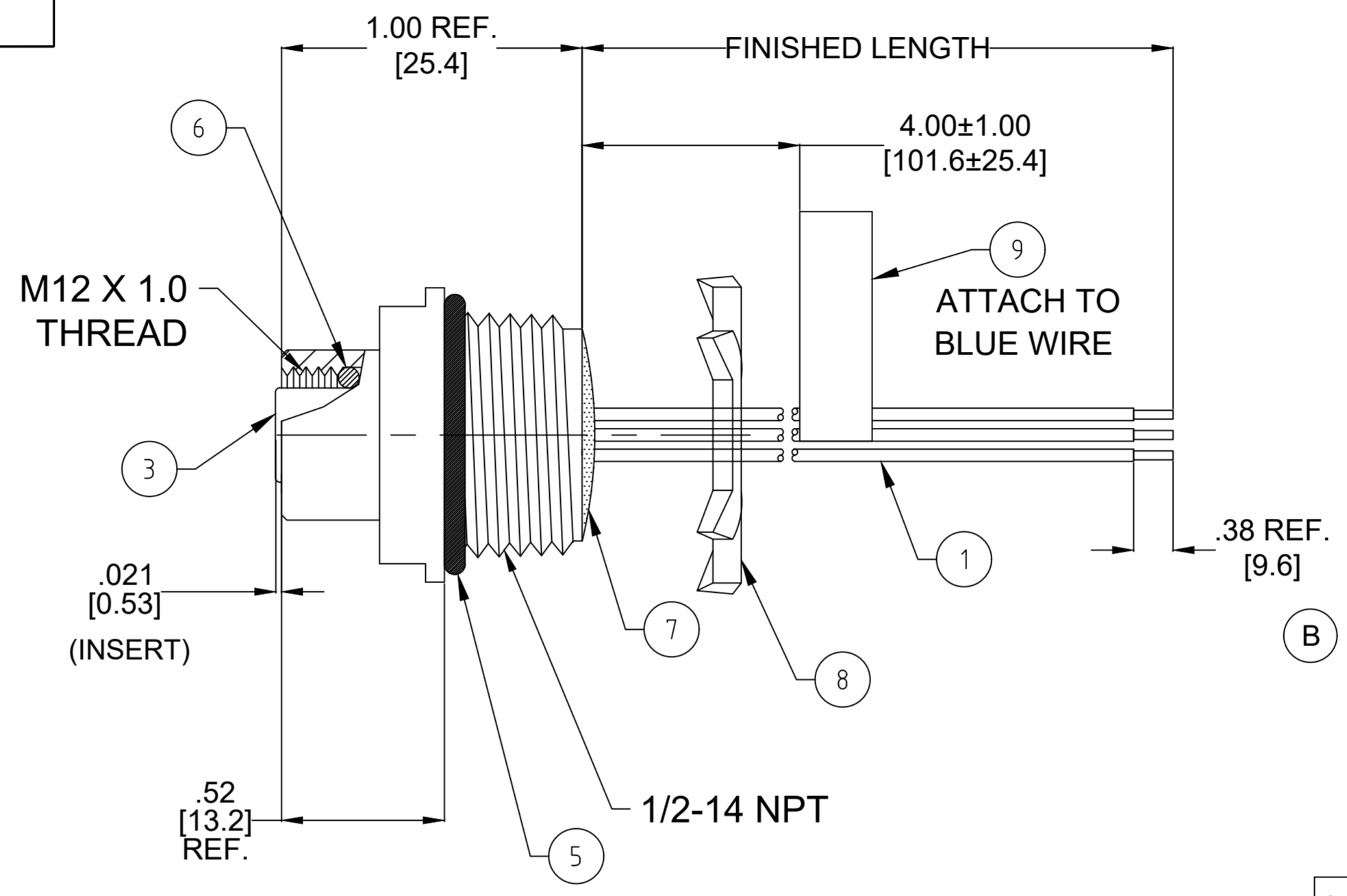


SAP P/N #	ENGINEERING P/N	FINISHED LENGTH
1200700168	8R4000A16M005	0.5M [ 1FT 8 IN ]
1200704013	8R5000A16M030	3M [ 9FT 10 IN ]
1200700172	8R4000A16M060	6M [ 19FT 8 IN ]



- NOTES:**
- MATERIAL: AS NOTED
  - FINISH: AS NOTED
  - ELECTRICAL:  
VOLTAGE: 4 & 5P 250V  
CURRENT: 4A
  - TEMP RATING: -20°C TO +105°C
  - PROTECTION: IP67 (WHEN MATED)
  - CSA CERTIFIED FILE: LR6837
  - ALL DIMENSIONS ARE FOR REFERENCE UNLESS TOLERANCED OR NOTED OTHERWISE



ITEM	COMPONENT	MATERIAL	FINISH
9	LABEL	VINYL	BLACK/YELLOW
8	LOCKNUT	STEEL	ZINC PLATED
7	POTTING MATERIAL	EPOXY	
6	O-RING (MATING)	VITON	RED
5	O-RING (PANEL)	NITRILE	BLACK
4	CONTACT SOCKET	COPPER ALLOY	GOLD OVER NICKEL
3	FEMALE INSERT	NYLON	BLACK
2	SHELL FM M12x1	ZINC DIE CAST	YELLOW
1	WIRE #18	PVC	SEE FACE VIEW

### PART NO. LEGEND

**8R4000A16M005**

POLES (4, 5)      LENGTH:  
M005= 0.5 METER  
M010= 1 METER  
M100= 10 METER

**CABLE LENGTH TOLERANCES**

<.3M [1FT]:	+19mm-0 [ +.75in-0]
.3 - .9M [1 - 3FT]:	+44.5mm-0 [+1.75in-0]
.9 - 1.8M [3 - 6FT]:	+55.6mm-0 [+2.19in-0]
1.8 - 3.7M [6 - 12FT]:	+88.9mm-0 [+3.50in-0]
3.7 - 7.3M [12 - 24FT]:	+165.1mm-0 [+6.50in-0]
7.3-14.6M [24 - 48FT]:	+317.5mm-0 [+12.50in-0]
14.6 - 30.5M [48-100FT]:	+622.3mm-0 [+24.50in-0]
OVER 30M [100FT]	+2% OF FINISHED LENGTH

FUNCTIONAL SYMBOLS				THIS DRAWING CONTAINS INFORMATION THAT IS PROPRIETARY TO MOLEX ELECTRONIC TECHNOLOGIES, LLC AND SHOULD NOT BE USED WITHOUT WRITTEN PERMISSION					
DIMENSION UNITS		SCALE		CURRENT REV DESC: UPDATED BOM, CORRECTED CABLE LENGTH TOLERANCES, CORRECTED STRIPPED WIRE DIM					
INCH/MM		1:1		EC NO: 727352 DRWN: SAMB12      2022/11/03 CHK'D: RSTONE      2022/11/03 APPR: BWOODMAN      2022/11/03 INITIAL REVISION: DRWN: RSTONE      2012/11/05 APPR: JFMURPHY      2013/02/07					
GENERAL TOLERANCES (UNLESS SPECIFIED)									
4 PLACES	±----	mm	±----					INCH	
3 PLACES	±----								
2 PLACES	±----								
DIVISIONAL SYMBOLS				MATERIAL NUMBER: <b>SD-120070-043</b> CUSTOMER: GENERAL MARKET SHEET NUMBER: 1 OF 1					
1 PLACE		±----		DRAWING		SERIES			
0 PLACES		±----		C-SIZE		120070			
ANGULAR TOL ± ---- °				THIRD ANGLE PROJECTION					
DRAFT WHERE APPLICABLE MUST REMAIN WITHIN DIMENSIONS				DRAWING					