

PART NO.	ENGINEERING NO.	FINISHED LENGTH
1300060034	104006K03M010	1M (3 FT 3.37 IN)
1300061153	104006K03M020	2M (6 FT 6.74 IN)
1300062565	104006K03M030	3M (9 FT 10.11 IN)
1300062566	104006K03M050	5M (16 FT 4.85 IN)
1300062567	104006K03M100	10M (32 FT 9.70 IN)

**CABLE LENGTH TOLERANCES**

<.3M [1FT]: +19mm-0 [ +.75in-0]

.3 - .9M [1 - 3FT]: +44.5mm-0 [+1.75in-0]

.9 - 1.8M [3 - 6FT]: +55.6mm-0 [+2.19in-0]

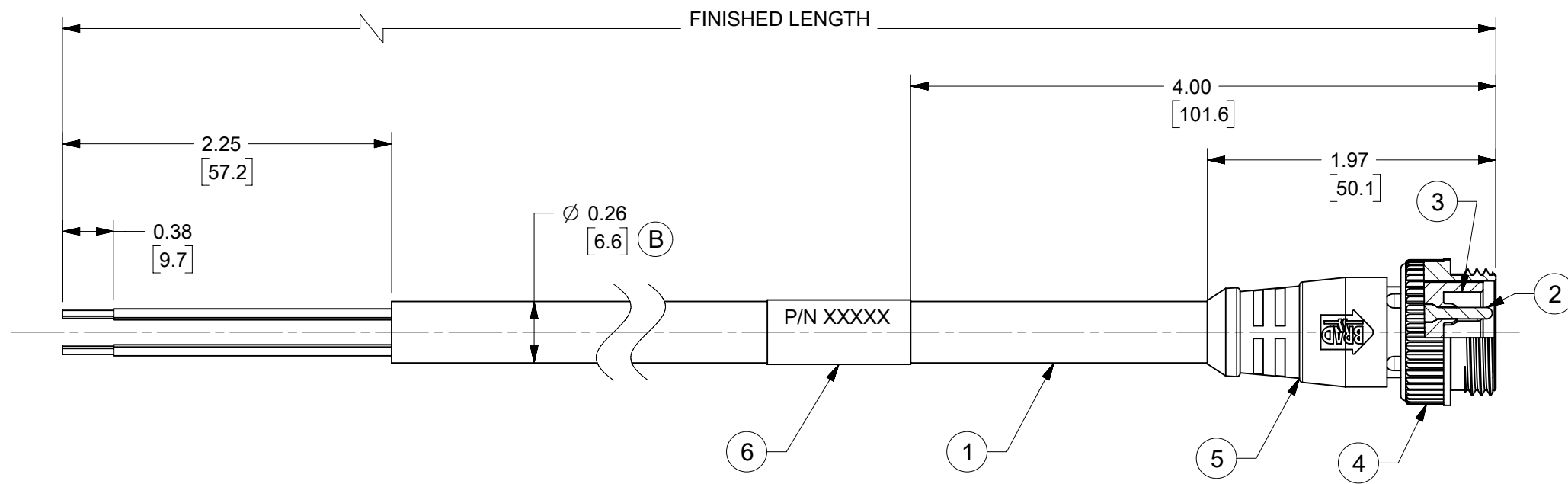
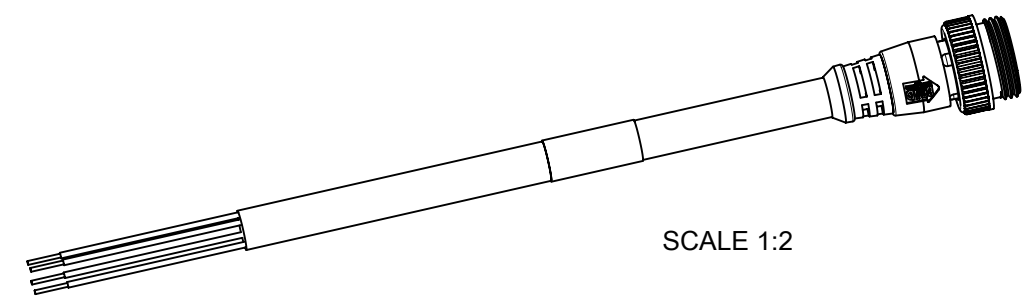
1.8 - 3.7M [6 - 12FT]: +88.9mm-0 [+3.50in-0]

3.7 - 7.3M [12 - 24FT]: +165.1mm-0 [+6.50in-0]

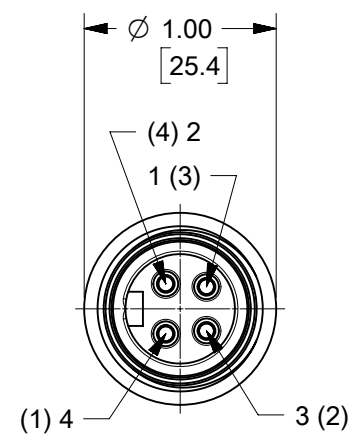
7.3-14.6M [24 - 48FT]: +317.5mm-0 [+12.50in-0]

14.6 - 30.5M [48-100FT]: +622.3mm-0 [+24.50in-0]

OVER 30M [100FT] +2% OF FINISHED LENGTH



**MALE FACE VIEW**



CENELEC EN 50 044 PINOUT SHOWN  
(SAE-J-1738A SHOWN IN PARENTHESIS)

**WIRING DIAGRAM**

BLACK	4 (1)
BLUE	3 (2)
BROWN	1 (3)
WHITE	2 (4)

- NOTES:**
- MATERIAL: AS NOTED
  - FINISH: AS NOTED
  - ELECTRICAL:  
VOLTAGE: 300V  
CURRENT: 5.6A
  - TEMP RATING: -20°C TO +105°C (B)
  - PROTECTION: IP67 (WHEN MATED)
  - CSA CERTIFIED FILE: LR6837 (B)
  - COUPLING THREAD: 7/8"-16 UN
  - ALL DIMS ARE FOR REFERENCE UNLESS TOLERANCED OR NOTED OTHERWISE

**PART NUMBER LEGEND**

**104006K03M030**

FINISH LENGTH  
M003 = .3 METER  
M030 = 3 METER  
M300 = 30 METER

**MECHANICAL CHARACTERISTICS: (B)**

TORSIONAL FLEX TEST	10 MILLION CYCLES PER MIL-C-13777G
BEND FLEX TEST	10 MILLION CYCLES PER MIL-C-13777G
WELD SLAG RESISTANCE	WOODHEAD STANDARD S-300

ITEM	DESCRIPTION	MATERIAL	FINISH
6	WRAP LABEL	VINYL	BLACK/YELLOW
5	OVERMOLD	TPE	YELLOW
4	COUPLING NUT	ZINC DIE-CAST	BLACK E-COAT
3	MALE INSERT	TPE	YELLOW
2	PIN CONTACT	Cu ALLOY	GOLD OVER NICKEL
1	CABLE, #18-4, ITC/PLTC	TPE JACKET	YELLOW

FUNCTIONAL SYMBOLS	THIS DRAWING CONTAINS INFORMATION THAT IS PROPRIETARY TO MOLEX ELECTRONIC TECHNOLOGIES, LLC AND SHOULD NOT BE USED WITHOUT WRITTEN PERMISSION	SCALE: 1:1		CURRENT REV DESC: UPDATED MATERIAL TABLE, TOL. CHART & TEMP RATING, ADDED UL, MECH CHARACTERISTICS & CABLE DIA.		
	INCH/MM	GENERAL TOLERANCES (UNLESS SPECIFIED)	EC NO: 701162			
ANGULAR TOL ± °	4 PLACES ±		DRWN: AKABADI	2022/01/11		
DIVISIONAL SYMBOLS	3 PLACES ±		CHKD: RSTONE	2022/03/30		
2 PLACES ±		APPR: BWOODMAN		2022/04/08		
1 PLACE ±		INITIAL REVISION:				
0 PLACES ±		DRWN: ALEON01		2019/06/14		
DRAFT WHERE APPLICABLE MUST REMAIN WITHIN DIMENSIONS		APPR: BWOODMAN		2019/06/28		
THIRD ANGLE PROJECTION		DRAWING	SERIES	MATERIAL NUMBER	CUSTOMER	SHEET NUMBER
B-SIZE		130006	SEE TABLE			1 OF 1