

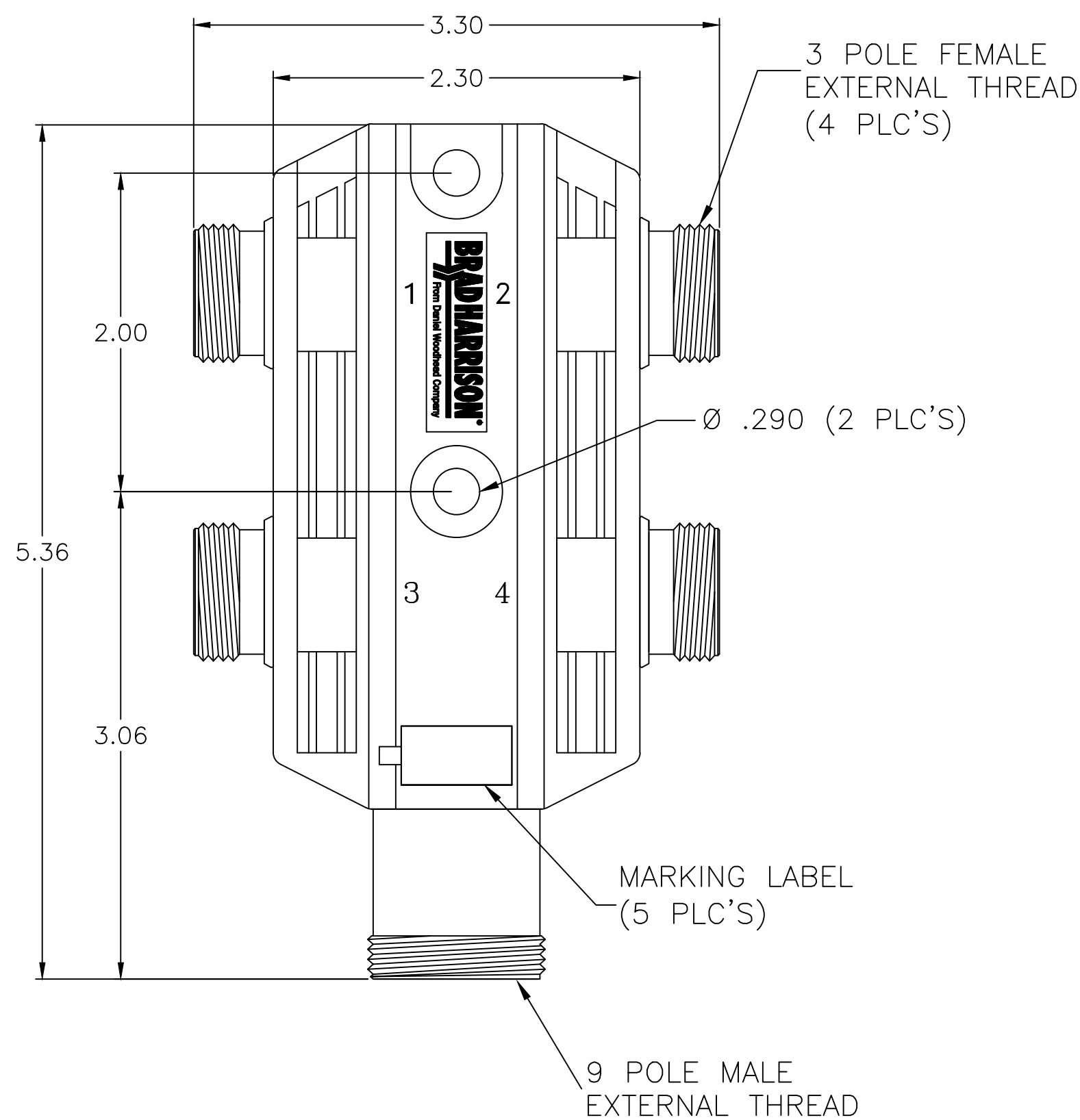
MATERIAL NO.

ENGINEERING NO.

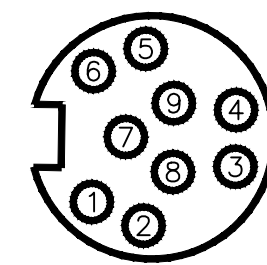
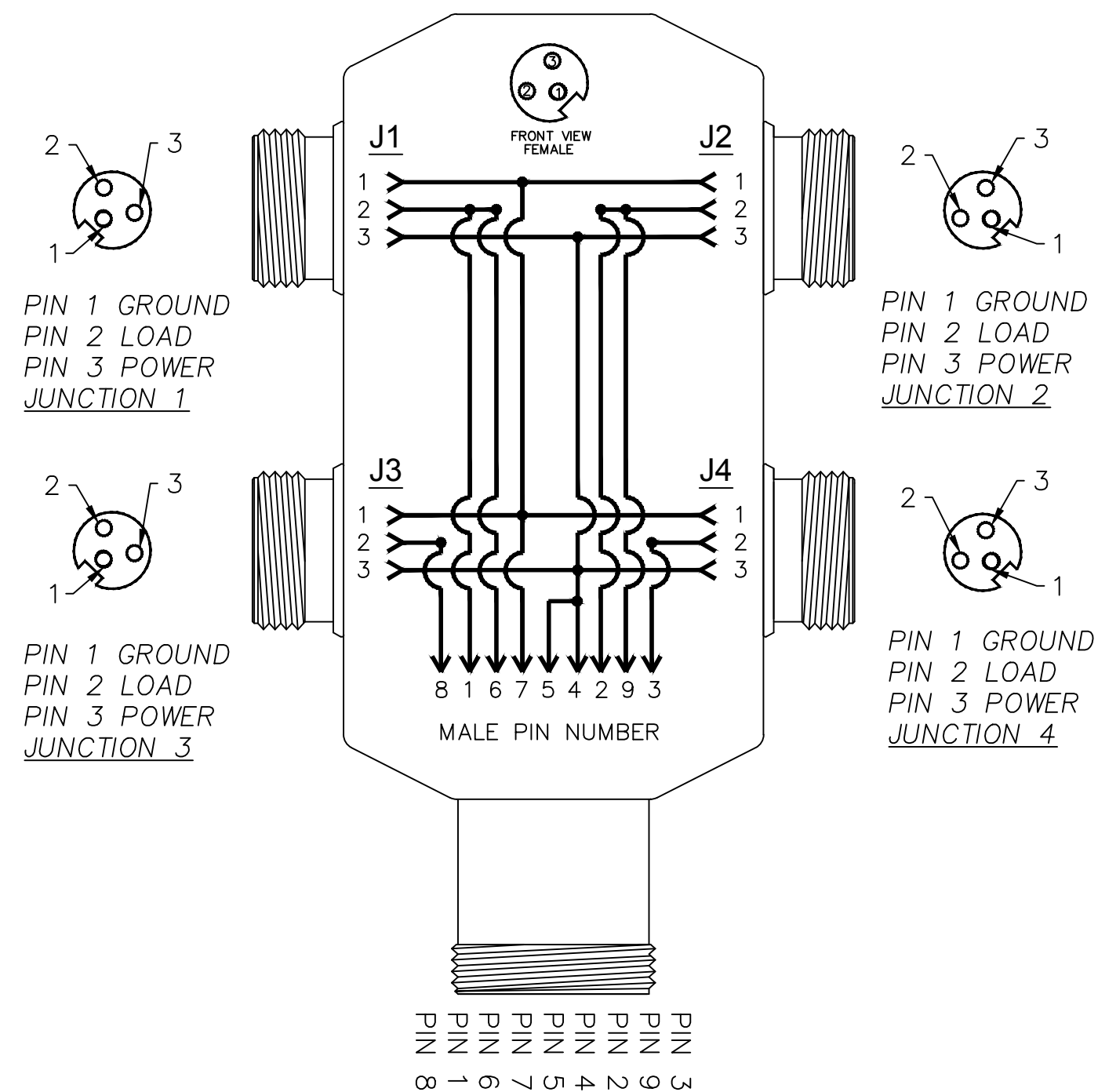
1300600084

409P481

DIMENSIONAL



SCHEMATIC TOP VIEW



NOTES:

- 1) MATERIAL: SEE TABLE
- 2) FINISHES: SEE TABLE
- 3) ELECTRICAL DATA:
VOLTAGE: 600V AC/DC
AMPERAGE: 7A PER MPIS UNIT
- 4) ENVIRONMENTAL:
PROTECTION: IP67
AMBIENT OPERATING TEMPERATURE: -25°C TO 90°C

CUSTOMER PRODUCTION APPROVAL
APPROVED BY: _____
DATE: _____
MUST BE SIGNED AND RETURNED BEFORE
PRODUCTION WILL BEGIN.

RESTRICTED SALES DRAWING

ITEM	QTY.	DESCRIPTION	MATERIAL	FINISH
5	5	INSERT	PVC	YELLOW
4	9	PIN CONTACT	COPPER ALLOY	GOLD PLATED
3	12	SOCKET CONTACT	COPPER ALLOY	GOLD PLATED
2	5	RECEPTACLE SHELL	E-COATED ZINC ALLOY	BLACK
1	1	HOUSING	PBT	YELLOW

INITIAL RELEASE EC NO: IPG2014-0046 DRWN: BARDEN 2013/07/23 CH'KD: VOI APPR: BWOODMAN 2013/07/31	QUALITY SYMBOL ▽=0 ▽=0	GENERAL TOLERANCES (UNLESS SPECIFIED) 4 PLACES ±--- ±--- 3 PLACES ±--- ±.005 2 PLACES ±0.13 ±.010 1 PLACE ±0.25 ±.020	DIMENSION STYLE INCH ONLY DRAWN BY DATE BARDEN 2013/07/23 CHECKED BY DATE VOI 2013/07/29 APPROVED BY DATE BWOODMAN 2013/07/31	SCALE NTS DESIGN UNITS INCH THIRD ANGLE PROJECTION	TITLE MINI-CHANGE MPIS 4/3P FR W/9P MR SPECIAL WIRING
	DRAFT WHERE APPLICABLE MUST REMAIN WITHIN DIMENSIONS		MATERIAL NO. ---	MOLEX INCORPORATED DOCUMENT NO. SD-130060-016	SHEET NO. 1 OF 1
	THIS DRAWING CONTAINS INFORMATION THAT IS PROPRIETARY TO MOLEX INCORPORATED AND SHOULD NOT BE USED WITHOUT WRITTEN PERMISSION				
	SIZE C				